

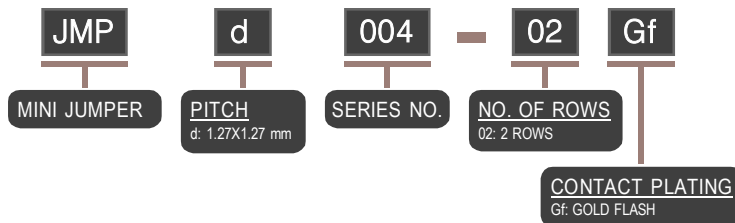
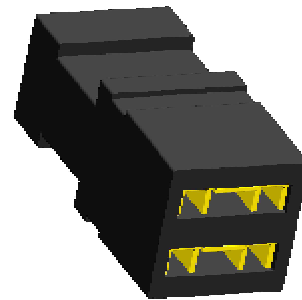
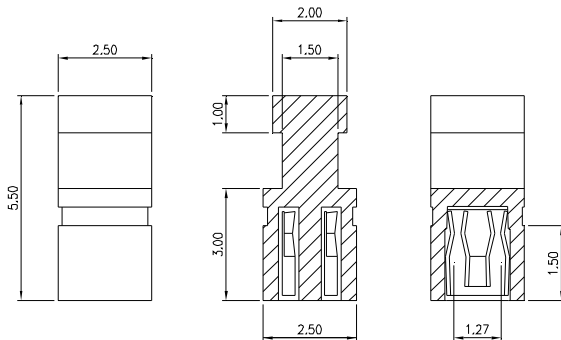
**MMI**

---

**JUMPER**  
**PITCH: 2.00X2.00mm**

---

## MINI JUMPER - 1.27X1.27mm - JMPd



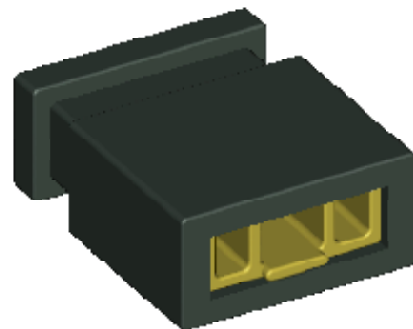
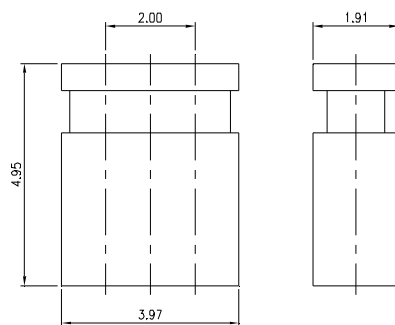
### SPECIFICATIONS

CONTACT RATING: 2 AMPS  
INSULATOR RESISTANCE: 1000 OHM MIN.  
DIELECTRIC WITHSTAND VOLTAGE: AC 650V  
OPERATING TEMPERATURE: -40° C→+105° C

### MATERIALS

CONTACT MATERIAL: PHOSPHOR BRONZE  
INSULATOR MATERIAL: NYLON 66 U94V-0  
FINISH: GOLD FLASH

## MINI JUMPER - 2.00X2.00mm - JMPb



### SPECIFICATIONS

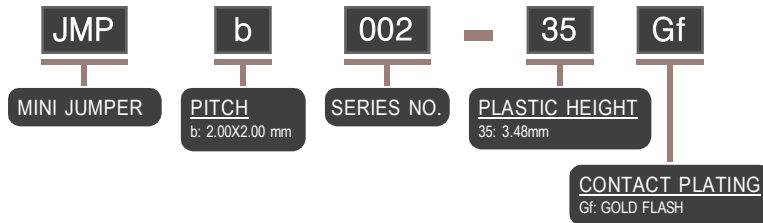
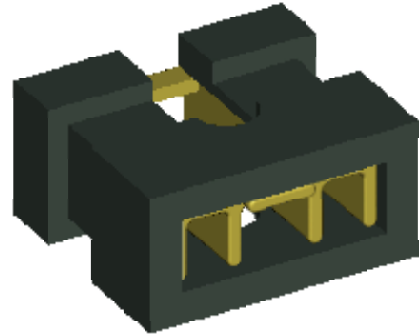
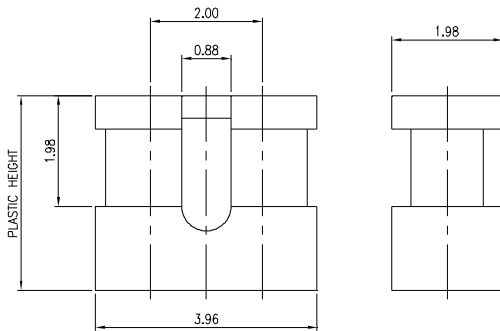
CONTACT RATING: 3 AMPS  
INSULATOR RESISTANCE: 1000 OHM MIN.  
DIELECTRIC WITHSTAND VOLTAGE: AC 650V  
OPERATING TEMPERATURE: -40° C→+105° C

### MATERIALS

CONTACT MATERIAL: PHOSPHOR BRONZE  
INSULATOR MATERIAL: GLASS FILLED POLYESTER  
P.B.T. UL 94V-0 RATED  
FINISH: GOLD FLASH

**NOTE** : SOME SIZES, STYLES AND OPTION ARE NON-STANDARD, NON-CANCELLABLE, NON-RETURNABLE

## MINI JUMPER - 2.00X2.00mm - JMPb



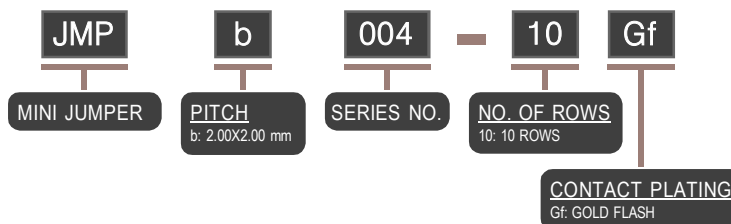
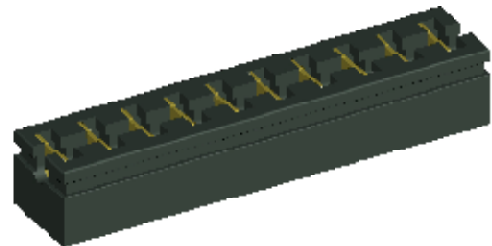
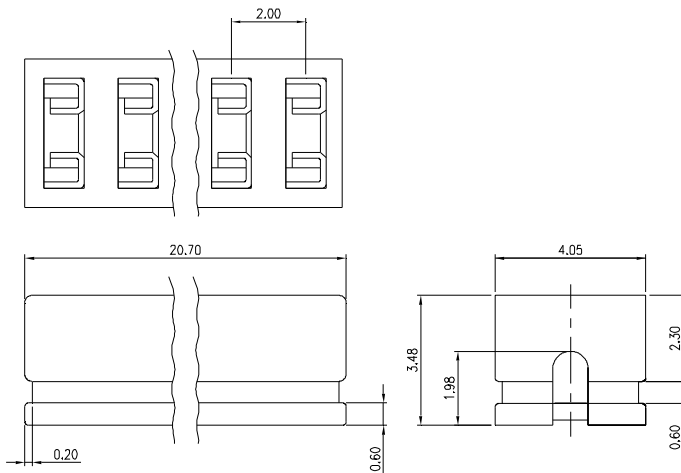
### SPECIFICATIONS

CONTACT RATING: 3 AMPS  
 INSULATOR RESISTANCE: 1000 OHM MIN.  
 DIELECTRIC WITHSTAND VOLTAGE: AC 650V  
 OPERATING TEMPERATURE: -40° C--+105° C

### MATERIALS

CONTACT MATERIAL: PHOSPHOR BRONZE  
 INSULATOR MATERIAL: GLASS FILLED POLYESTER  
 P.B.T. UL 94V-0 RATED  
 FINISH: GOLD FLASH

## MINI JUMPER - 2.00X2.00mm - JMPb



### SPECIFICATIONS

CONTACT RATING: 1 AMPS  
 INSULATOR RESISTANCE: 5000 OHM MIN.  
 DIELECTRIC WITHSTAND VOLTAGE: AC 500V  
 OPERATING TEMPERATURE: -40° C--+105° C

### MATERIALS

CONTACT MATERIAL: PHOSPHOR BRONZE  
 INSULATOR MATERIAL: PBT 30% GLASS FIBER  
 UL 94V-0  
 FINISH: GOLD FLASH

**NOTE** : SOME SIZES, STYLES AND OPTION ARE NON-STANDARD, NON-CANCELLABLE, NON-RETURNABLE