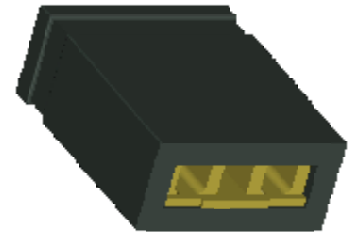
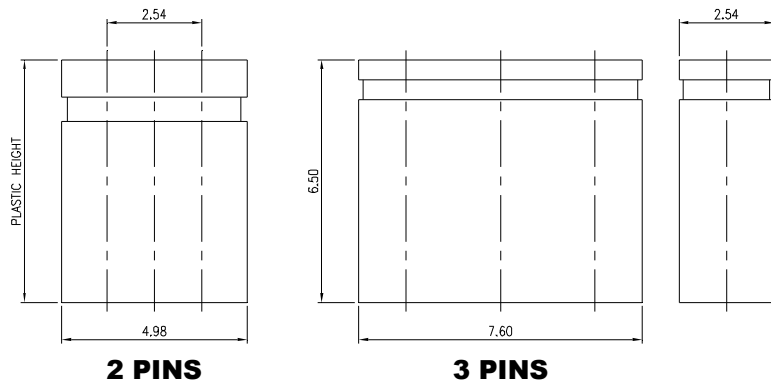


MMI

JUMPER
PITCH: 2.54X2.54mm

MINI JUMPER - 2.54X2.54mm - JMPa

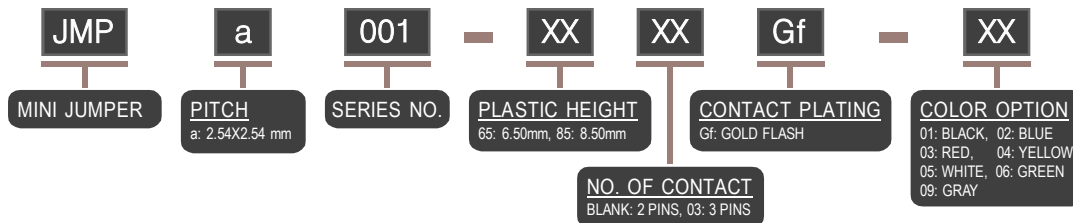


SPECIFICATIONS

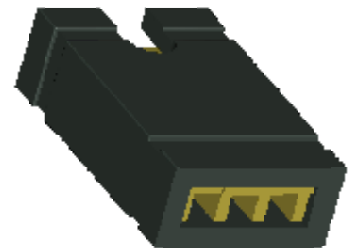
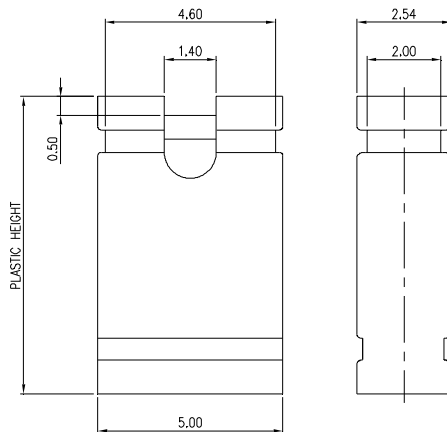
CONTACT RATING: 3 AMPS
 INSULATOR RESISTANCE: 1000 OHM MIN.
 DIELECTRIC WITHSTAND VOLTAGE: AC 650V
 OPERATING TEMPERATURE: -40° C~+105° C

MATERIALS

CONTACT MATERIAL: PHOSPHOR BRONZE
 INSULATOR MATERIAL: GLASS FILLED POLYESTER
 P.B.T. UL 94V-0 RATED
 FINISH: GOLD FLASH



MINI JUMPER - 2.54X2.54mm - JMPa

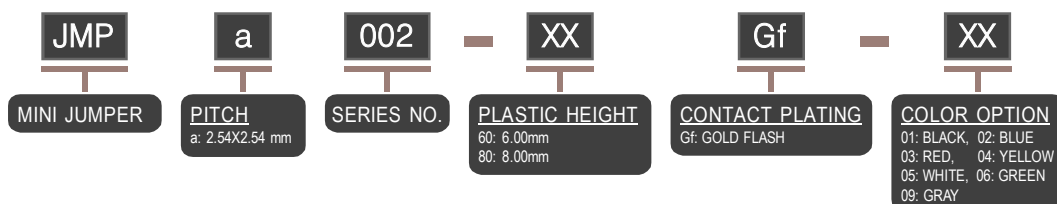


SPECIFICATIONS

CONTACT RATING: 3 AMPS
 INSULATOR RESISTANCE: 1000 OHM MIN.
 DIELECTRIC WITHSTAND VOLTAGE: AC 650V
 OPERATING TEMPERATURE: -40° C~+105° C

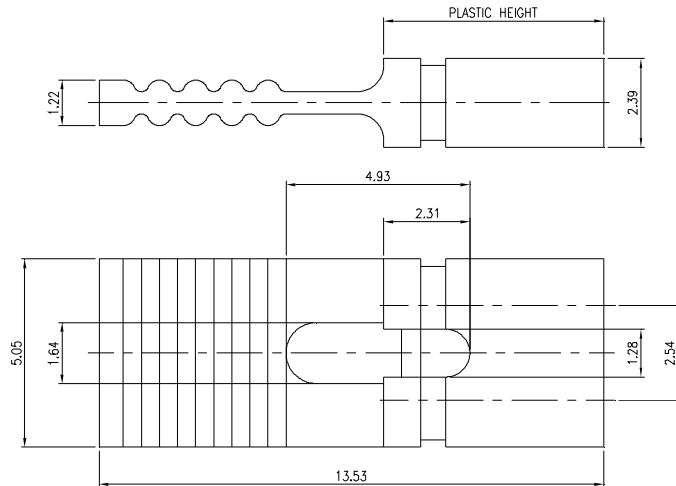
MATERIALS

CONTACT MATERIAL: PHOSPHOR BRONZE
 INSULATOR MATERIAL: GLASS FILLED POLYESTER
 P.B.T. UL 94V-0 RATED
 FINISH: GOLD FLASH



NOTE : SOME SIZES, STYLES AND OPTION ARE NON-STANDARD, NON-CANCELLABLE, NON-RETURNABLE

MINI JUMPER - 2.54X2.54mm - JMPa

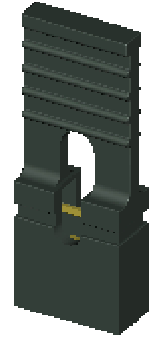


SPECIFICATIONS

CONTACT RATING: 1 AMPS
 INSULATOR RESISTANCE: 1000 OHM MIN.
 DIELECTRIC WITHSTAND VOLTAGE: AC 650V
 OPERATING TEMPERATURE: -40° C--+105° C

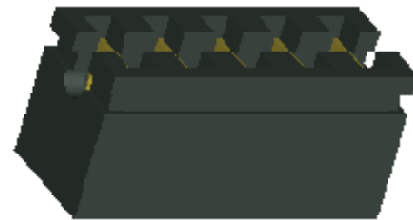
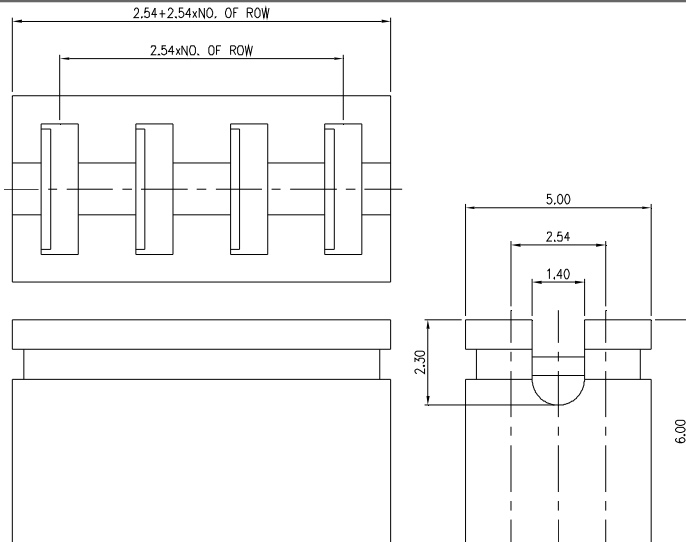
MATERIALS

CONTACT MATERIAL: PHOSPHOR BRONZE
 INSULATOR MATERIAL: GLASS FILLED POLYESTER
 P.B.T. UL 94V-0 RATED
 FINISH: GOLD FLASH



JMP	a	003	60	Gf	XX
MINI JUMPER	PITCH a: 2.54X2.54 mm	SERIES NO.	PLASTIC HEIGHT 60: 6.00mm	CONTACT PLATING Gf: GOLD FLASH	COLOR OPTION 01: BLACK, 02: BLUE 03: RED, 04: YELLOW 05: WHITE, 06: GREEN 09: GRAY

MINI JUMPER - 2.54X2.54mm - JMPa



JMP	a	004	XX	Gf
MINI JUMPER	PITCH a: 2.54X2.54 mm	SERIES NO.	NO. OF ROWS 02 ~ 10	CONTACT PLATING Gf: GOLD FLASH

SPECIFICATIONS

CONTACT RATING: 1 AMPS
 INSULATOR RESISTANCE: 5000 OHM MIN.
 DIELECTRIC WITHSTAND VOLTAGE: AC 500V
 OPERATING TEMPERATURE: -40° C--+105° C

MATERIALS

CONTACT MATERIAL: PHOSPHOR BRONZE
 INSULATOR MATERIAL: POLYESTER UL 94V-0
 FINISH: GOLD FLASH

NOTE : SOME SIZES, STYLES AND OPTION ARE NON-STANDARD, NON-CANCELLABLE, NON-RETURNABLE