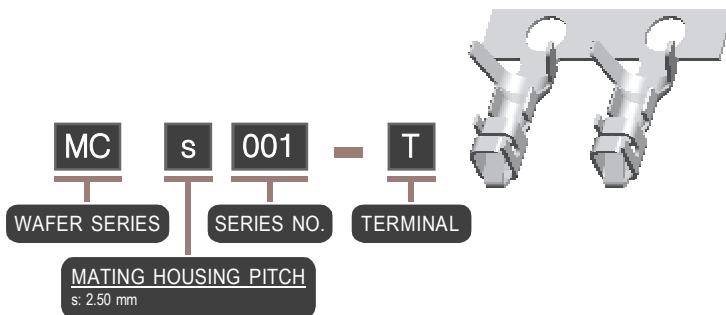
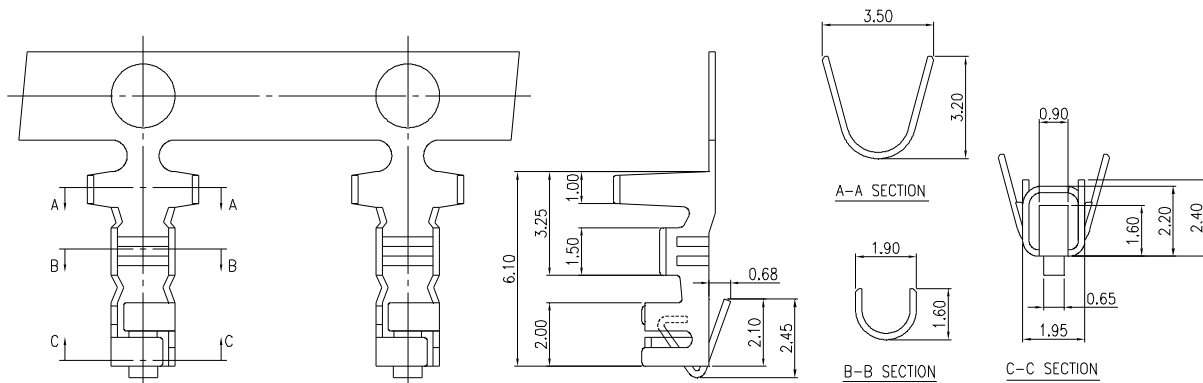


MMI

**WAFER, HOUSING & TERMINAL
PITCH: 2.50x2.50mm**

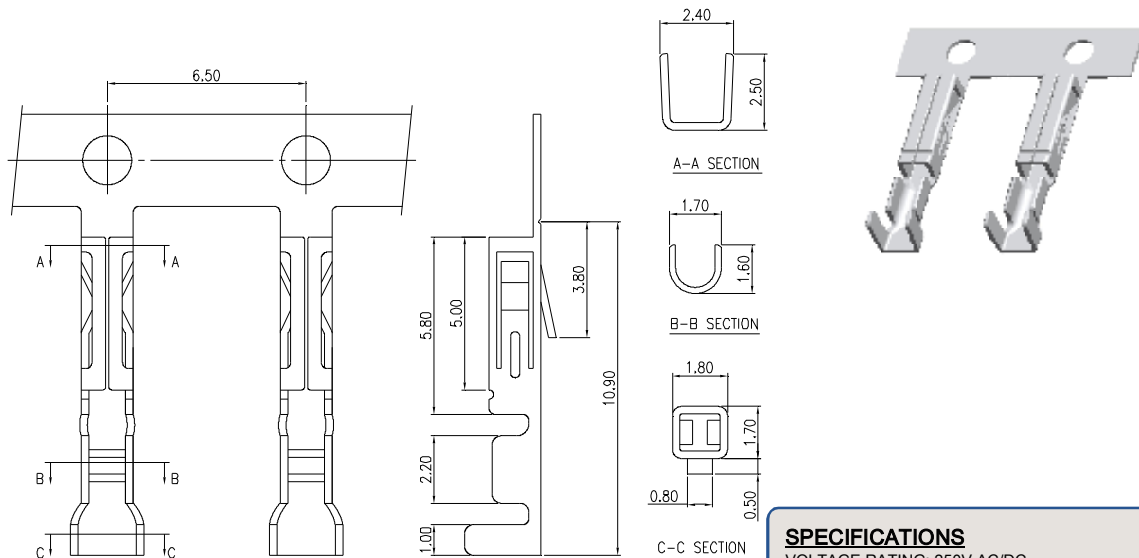
TERMINAL- MCs 001



SPECIFICATIONS
 VOLTAGE RATING: 250V AC/DC
 CURRENT RATING: 3A AC/DC
 WITHSTAND VOLTAGE: 1000V AC/MINUTE
 INSULATOR RESISTANCE: 1000M OHM MIN.
 TEMPERATURE RANGE: -25°C ~ +85°C
 CONTACT RESISTANCE: INITIAL VALUE 10m OHM MAX.
 AFTER ENVIRONMENTAL TESTING: 20m OHM MAX
 APPLICABLE WIRE: AWG #22 - 30
 THICKNESS: 0.25mm

MATERIALS
 BASE: PHOSPHOR BRONZE
 FINISH: TIN PLATED

TERMINAL- MCs 004

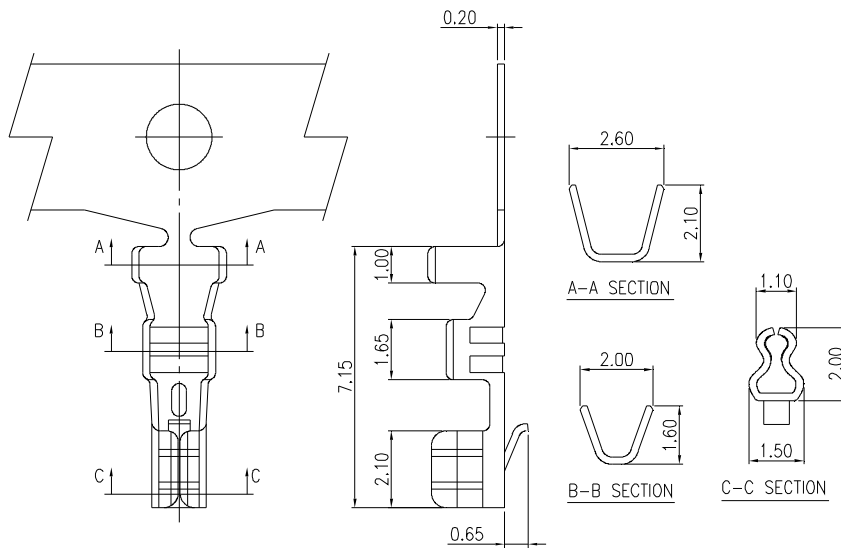


SPECIFICATIONS
 VOLTAGE RATING: 250V AC/DC
 CURRENT RATING: 3A AC/DC
 WITHSTAND VOLTAGE: 1000V AC/MINUTE
 INSULATOR RESISTANCE: 1000M OHM MIN.
 TEMPERATURE RANGE: -25°C ~ +85°C
 CONTACT RESISTANCE: INITIAL VALUE 10m OHM MAX.
 AFTER ENVIRONMENTAL TESTING: 20m OHM MAX
 APPLICABLE WIRE: AWG #22 - 30
 THICKNESS: 0.25mm

MATERIALS
 FINISH: TIN PLATED

NOTE : SOME SIZES, STYLES AND OPTION ARE NON-STANDARD, NON-CANCELLABLE, NON-RETURNABLE

TERMINAL- MCs 006



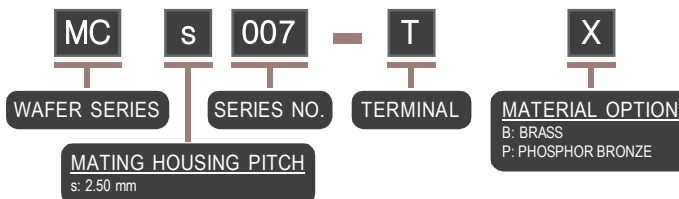
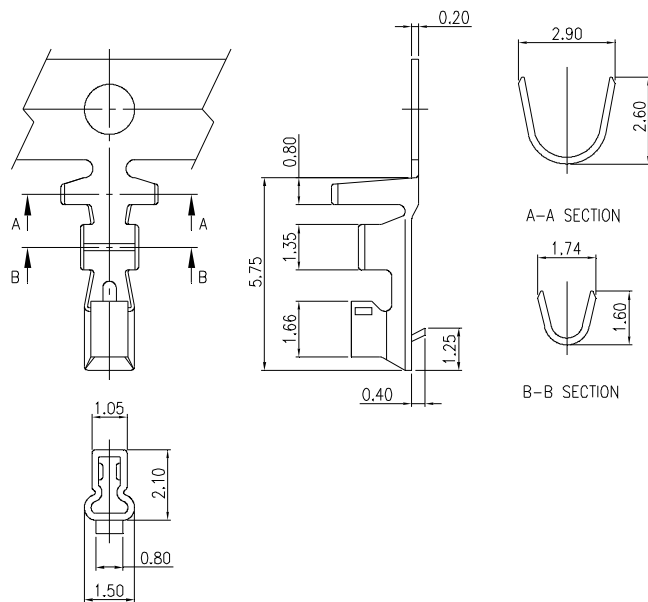
SPECIFICATIONS

VOLTAGE RATING: 250V AC/DC
 CURRENT RATING: 3A AC/DC
 WITHSTAND VOLTAGE: 1000V AC/MINUTE
 INSULATOR RESISTANCE: 1000M OHM MIN.
 TEMPERATURE RANGE: -25°C ~ +85°C
 CONTACT RESISTANCE: 20m OHM MAX.
 APPLICABLE WIRE: AWG #22 - #30
 THICKNESS: 0.25mm

MATERIALS

BASE: PHOSPHOR BRONZE
 FINISH: TIN PLATED

TERMINAL- MCs 007



SPECIFICATIONS

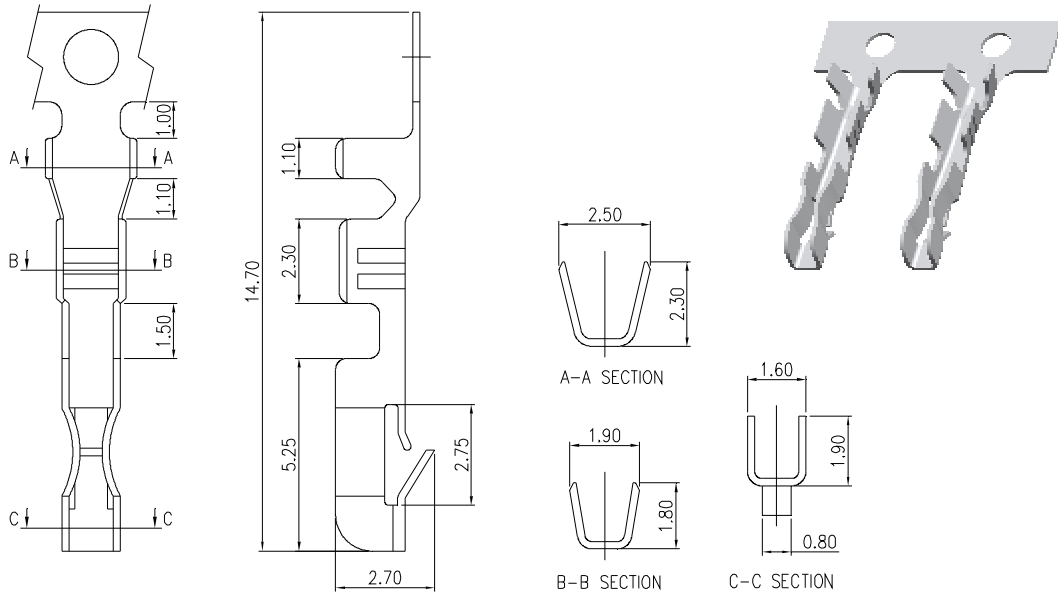
APPLICABLE WIRE: AWG #18 - #22
 INSULATION O.D.: 2.80mm

MATERIALS

MCs007-TB: BRASS
 MCs007-TP: PHOSPHOR BRONZE
 FINISH: TIN PLATED

NOTE : SOME SIZES, STYLES AND OPTION ARE NON-STANDARD, NON-CANCELLABLE, NON-RETURNABLE

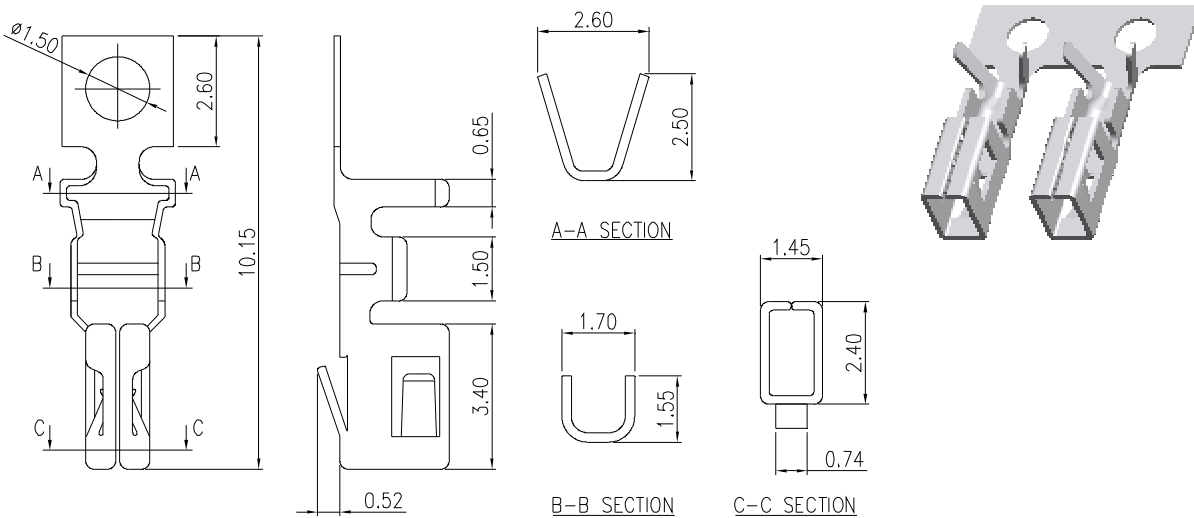
TERMINAL- MCs 008



MC **s** **008** - **T**
 WAFER SERIES SERIES NO. TERMINAL
 MATING HOUSING PITCH
 s: 2.50 mm

WIRE RANGE: AWG #22 - #30
 MATERIAL: BRASS

TERMINAL- MCs 009



MC **s** **009** - **T**
 WAFER SERIES SERIES NO. TERMINAL
 MATING HOUSING PITCH
 s: 2.50 mm

SPECIFICATIONS

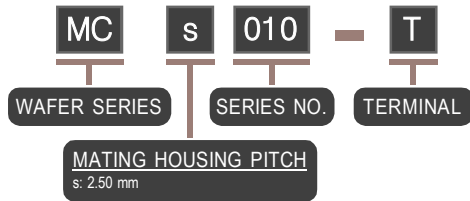
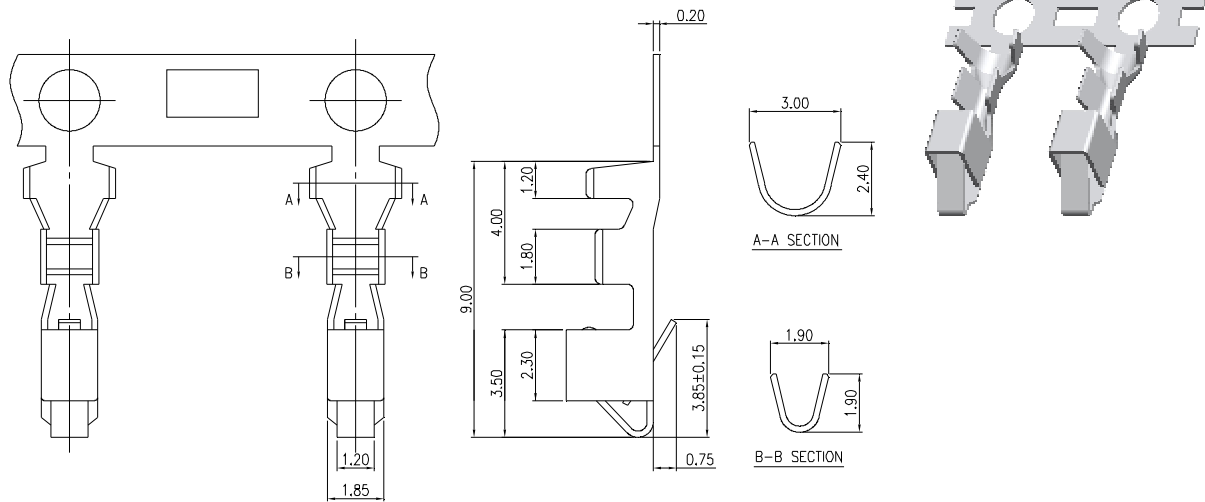
VOLTAGE RATING: 250V AC/DC
 CURRENT RATING: 3A AC/DC
 WITHSTAND VOLTAGE: 1500V AC/MINUTE
 INSULATOR RESISTANCE: 5000M OHM MIN.
 TEMPERATURE RANGE: -40°C ~ +105°C
 CONTACT RESISTANCE: 20m OHM MAX.
 APPLICABLE WIRE: AWG #22 - #30

MATERIALS

BASE: BRASS

NOTE : SOME SIZES, STYLES AND OPTION ARE NON-STANDARD, NON-CANCELLABLE, NON-RETURNABLE

TERMINAL- MCs 010



SPECIFICATIONS

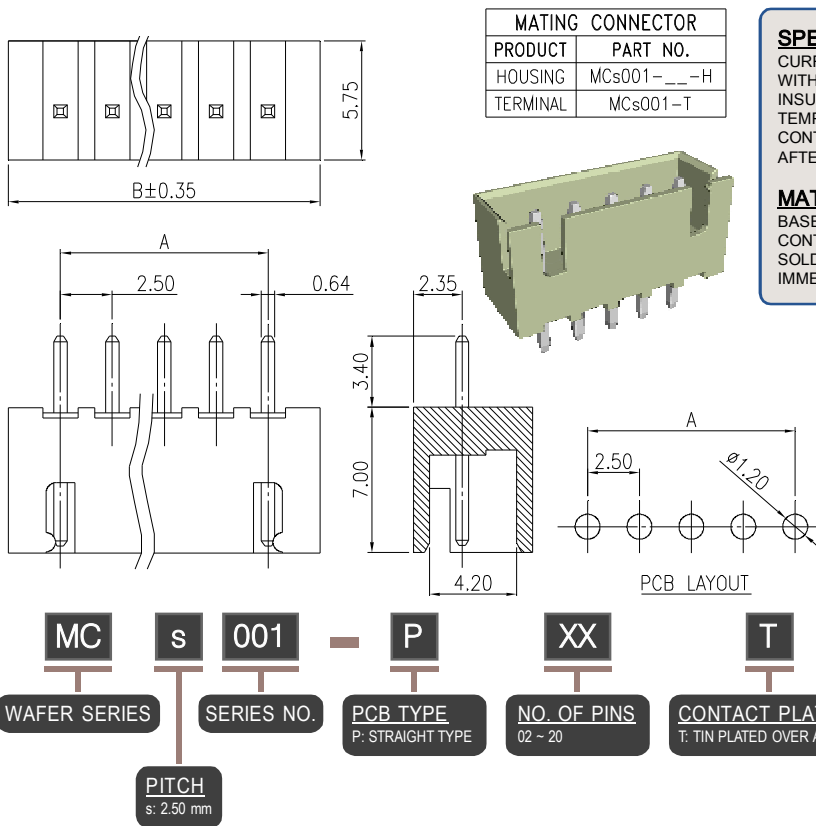
VOLTAGE RATING: 250V AC/DC
 CURRENT RATING: 3A AC/DC
 WITHSTAND VOLTAGE: 800V AC/MINUTE
 INSULATOR RESISTANCE: 1000M OHM MIN.
 TEMPERATURE RANGE: -25°C ~ +85°C
 CONTACT RESISTANCE: 20m OHM MAX.
 APPLICABLE WIRE: AWG #22 - #28

MATERIALS

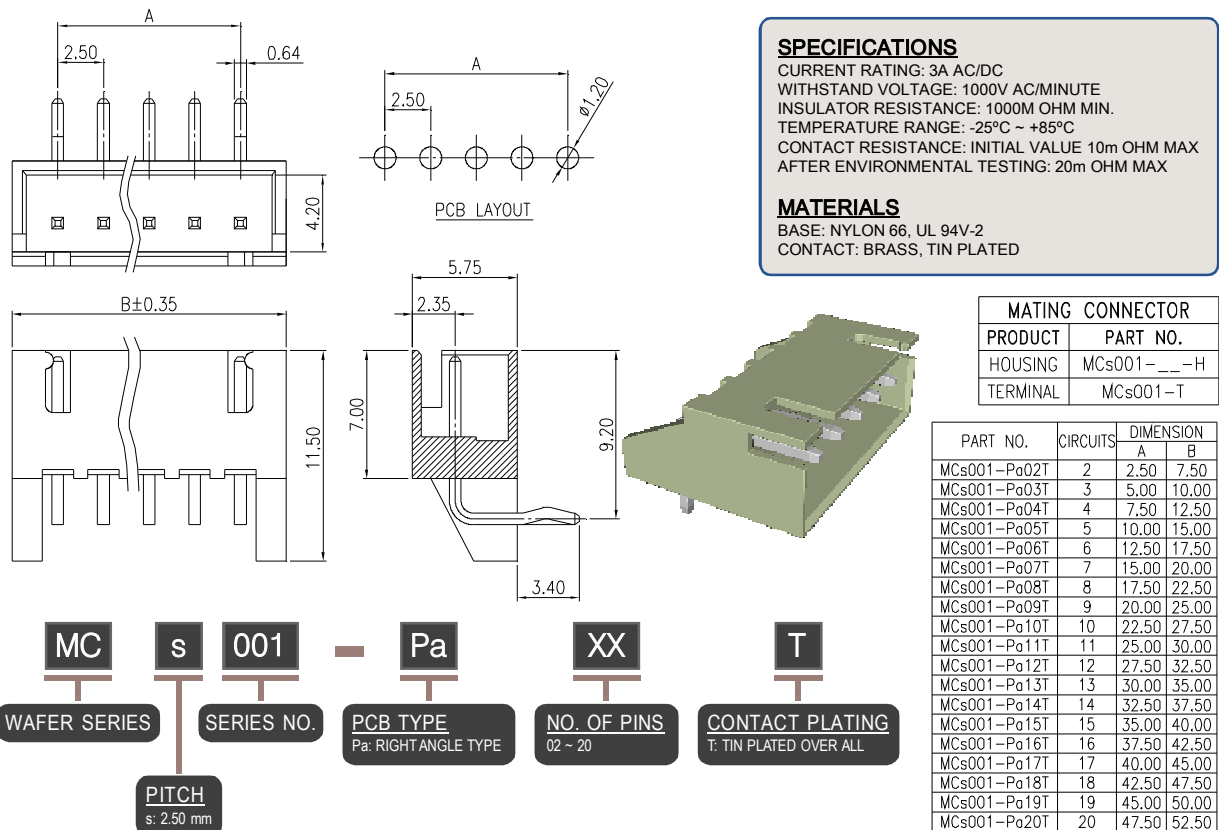
BASE: BRSS

NOTE : SOME SIZES, STYLES AND OPTION ARE NON-STANDARD, NON-CANCELLABLE, NON-RETURNABLE

2.50 mm WAFER - MCs 001 STRAIGHT TYPE - P

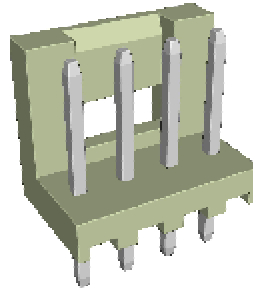
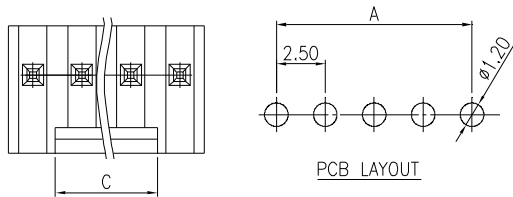
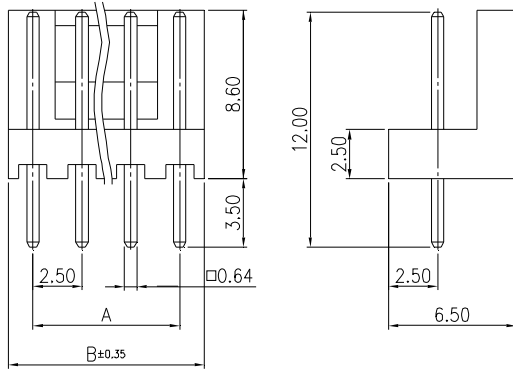


2.50 mm WAFER - MCs 001 RIGHT ANGLE TYPE - Pa



NOTE : SOME SIZES, STYLES AND OPTION ARE NON-STANDARD, NON-CANCELLABLE, NON-RETURNABLE

2.50 mm WAFER - MCs 004 STRAIGHT TYPE - P



SPECIFICATIONS

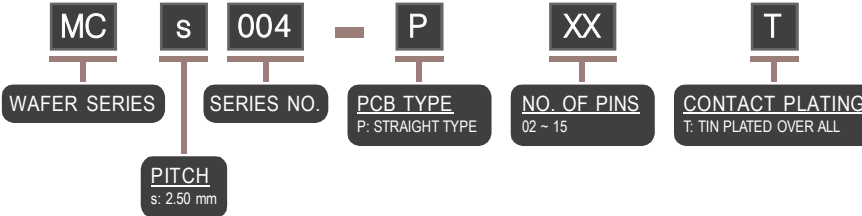
CURRENT RATING: 3A AC/DC
 WITHSTAND VOLTAGE: 1000V AC/MINUTE
 INSULATOR RESISTANCE: 1000M OHM MIN.
 TEMPERATURE RANGE: -25°C ~ +85°C
 CONTACT RESISTANCE: INITIAL VALUE 10m OHM MAX
 AFTER ENVIRONMENTAL TESTING: 20m OHM MAX

MATERIALS

BASE: NYLON 66, UL 94V-2
 CONTACT: BRASS, TIN PLATED

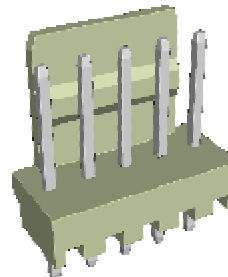
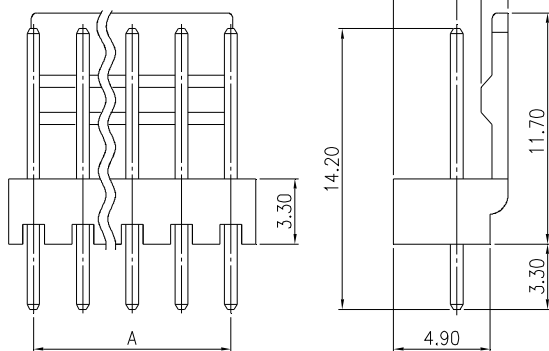
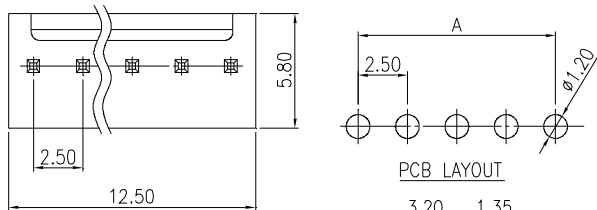
MATING CONNECTOR

PRODUCT	PART NO.
HOUSING	MCs004-__-H
TERMINAL	MCs004-T



PART NO.	CIRCUITS	DIMENSION		
		A	B	C
MCs004-P02T	2	2.50	5.00	2.20
MCs004-P03T	3	5.00	7.50	2.70
MCs004-P04T	4	7.50	10.00	5.20
MCs004-P05T	5	10.00	12.50	5.20
MCs004-P06T	6	12.50	15.00	6.20
MCs004-P07T	7	15.00	17.50	8.20
MCs004-P08T	8	17.50	20.00	10.20
MCs004-P09T	9	20.00	22.50	10.20
MCs004-P10T	10	22.50	25.00	10.20
MCs004-P11T	11	25.00	27.50	11.20
MCs004-P12T	12	27.50	30.00	11.20
MCs004-P13T	13	30.00	32.50	13.20
MCs004-P14T	14	32.50	35.00	13.20
MCs004-P15T	15	35.00	37.50	13.20

2.50 mm WAFER - MCs 005 STRAIGHT TYPE - P



SPECIFICATIONS

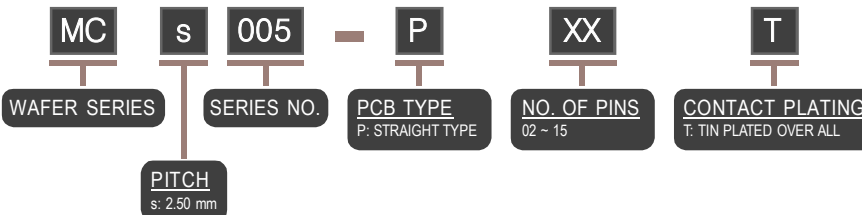
CURRENT RATING: 3A AC/DC
 WITHSTAND VOLTAGE: 1000V AC/MINUTE
 INSULATOR RESISTANCE: 1000M OHM MIN.
 TEMPERATURE RANGE: -25°C ~ +85°C
 CONTACT RESISTANCE: INITIAL VALUE 10m OHM MAX
 AFTER ENVIRONMENTAL TESTING: 20m OHM MAX
 APPLICABLE PC BOARD THICKNESS: 1.60mm

MATERIALS

BASE: NYLON 66, UL 94V-2
 CONTACT: BRASS, TIN PLATED

MATING CONNECTOR

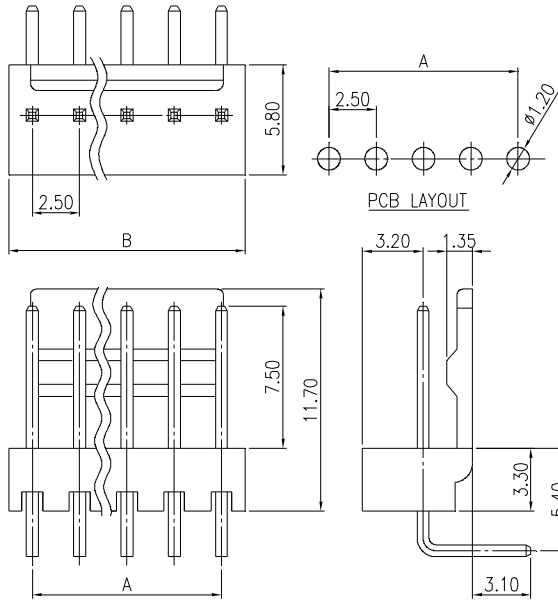
PRODUCT	PART NO.
HOUSING	MCs005-__-H
TERMINAL	MCs006-T



PART NO.	CIRCUITS	DIMENSION	
		A	B
MCs005-P02T	2	2.50	5.00
MCs005-P03T	3	5.00	7.50
MCs005-P04T	4	7.50	10.00
MCs005-P05T	5	10.00	12.50
MCs005-P06T	6	12.50	15.00
MCs005-P07T	7	15.00	17.50
MCs005-P08T	8	17.50	20.00
MCs005-P09T	9	20.00	22.50
MCs005-P10T	10	22.50	25.00
MCs005-P11T	11	25.00	27.50
MCs005-P12T	12	27.50	30.00
MCs005-P13T	13	30.00	32.50
MCs005-P14T	14	32.50	35.00
MCs005-P15T	15	35.00	37.50

NOTE : SOME SIZES, STYLES AND OPTION ARE NON-STANDARD, NON-CANCELLABLE, NON-RETURNABLE

2.50 mm WAFER - MCs 005 RIGHT ANGLE TYPE - Pa



SPECIFICATIONS

CURRENT RATING: 3A AC/DC
 WITHSTAND VOLTAGE: 1000V AC/MINUTE
 INSULATOR RESISTANCE: 1000M OHM MIN.
 TEMPERATURE RANGE: -25°C ~ +85°C
 CONTACT RESISTANCE: INITIAL VALUE 10m OHM MAX
 AFTER ENVIRONMENTAL TESTING: 20m OHM MAX
 APPLICABLE PC BOARD THICKNESS: 1.60mm

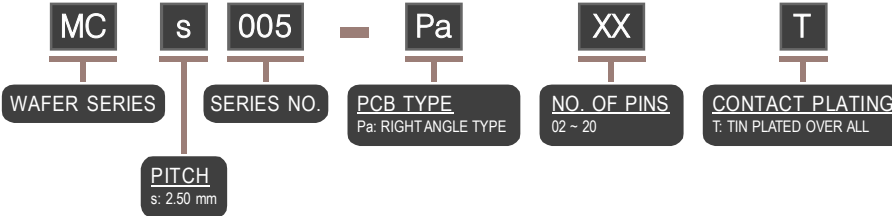
MATERIALS

BASE: NYLON 66, UL 94V-2
 CONTACT: BRASS, TIN PLATED

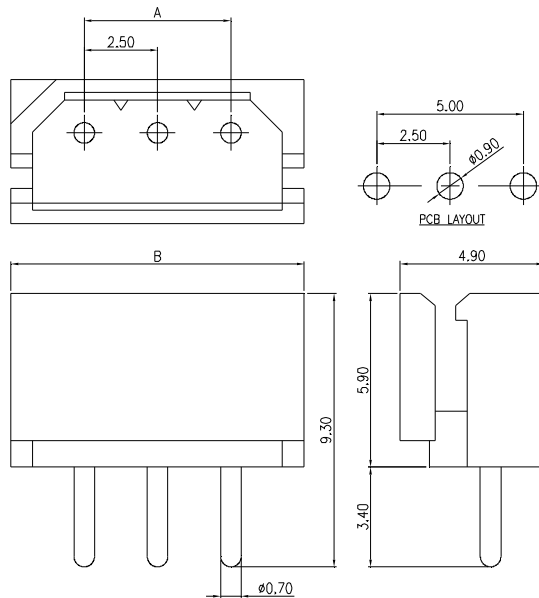
MATING CONNECTOR

PRODUCT	PART NO.
HOUSING	MCs005-__-H
TERMINAL	MCs006-T

PART NO.	CIRCUITS	DIMENSION	
		A	B
MCs005-Pa02T	2	2.50	5.00
MCs005-Pa03T	3	5.00	7.50
MCs005-Pa04T	4	7.50	10.00
MCs005-Pa05T	5	10.00	12.50
MCs005-Pa06T	6	12.50	15.00
MCs005-Pa07T	7	15.00	17.50
MCs005-Pa08T	8	17.50	20.00
MCs005-Pa09T	9	20.00	22.50
MCs005-Pa10T	10	22.50	25.00
MCs005-Pa11T	11	25.00	27.50
MCs005-Pa12T	12	27.50	30.00
MCs005-Pa13T	13	30.00	32.50
MCs005-Pa14T	14	32.50	35.00
MCs005-Pa15T	15	35.00	37.50



2.50 mm WAFER - MCs 006 STRAIGHT TYPE - P



MATING CONNECTOR

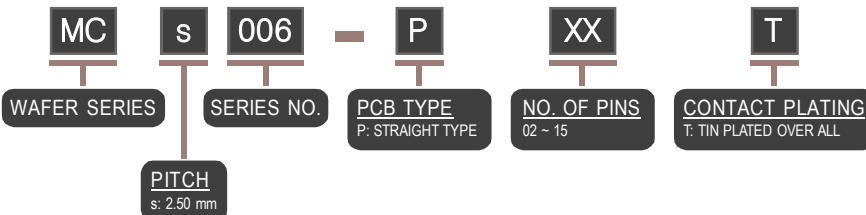
PRODUCT	PART NO.
HOUSING	MCs006-__-H
TERMINAL	MCs006-T

SPECIFICATIONS

CURRENT RATING: 3A AC/DC
 VOLTAGE RATING: 250V AC/DC
 WITHSTAND VOLTAGE: 1000V AC/MINUTE
 INSULATOR RESISTANCE: 1000M OHM MIN.
 TEMPERATURE RANGE: -25°C ~ +85°C
 CONTACT RESISTANCE: 20m OHM MAX

MATERIALS

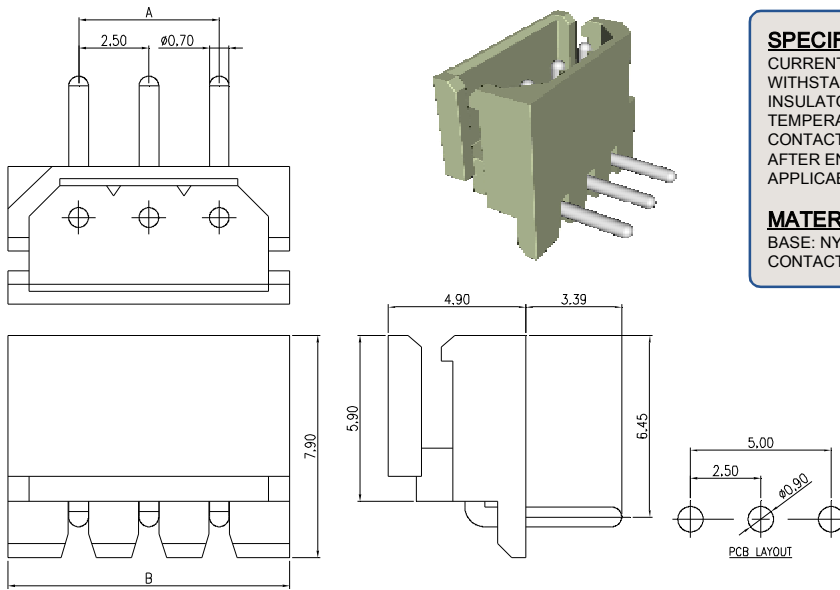
BASE: NYLON 66, UL 94V-2
 CONTACT: BRASS, TIN PLATED



PART NO.	CIRCUITS	DIMENSION	
		A	B
MCs006-P02T	2	2.50	7.50
MCs006-P03T	3	5.00	10.00
MCs006-P04T	4	7.50	12.50
MCs006-P05T	5	10.00	15.00
MCs006-P06T	6	12.50	17.50
MCs006-P07T	7	15.00	20.00
MCs006-P08T	8	17.50	22.50
MCs006-P09T	9	20.00	25.00
MCs006-P10T	10	22.50	27.50
MCs006-P11T	11	25.00	30.00
MCs006-P12T	12	27.50	32.50
MCs006-P13T	13	30.00	35.00
MCs006-P14T	14	32.50	37.50
MCs006-P15T	15	35.00	40.00

NOTE : SOME SIZES, STYLES AND OPTION ARE NON-STANDARD, NON-CANCELLABLE, NON-RETURNABLE

2.50 mm WAFER - MCs 006 RIGHT ANGLE TYPE - Pa



SPECIFICATIONS

CURRENT RATING: 3A AC/DC
 WITHSTAND VOLTAGE: 1000V AC/MINUTE
 INSULATOR RESISTANCE: 1000M OHM MIN.
 TEMPERATURE RANGE: -25°C ~ +85°C
 CONTACT RESISTANCE: INITIAL VALUE 10m OHM MAX
 AFTER ENVIRONMENTAL TESTING: 20m OHM MAX
 APPLICABLE PC BOARD THICKNESS: 1.60mm

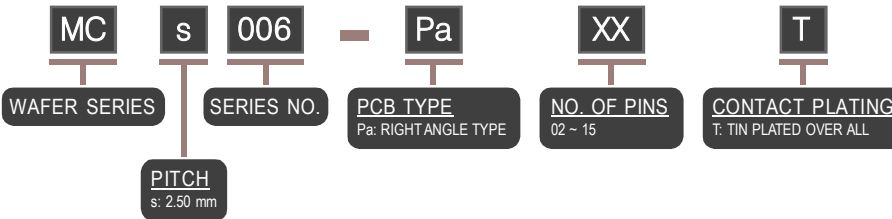
MATERIALS

BASE: NYLON 66, UL 94V-0
 CONTACT: BRASS, TIN PLATED

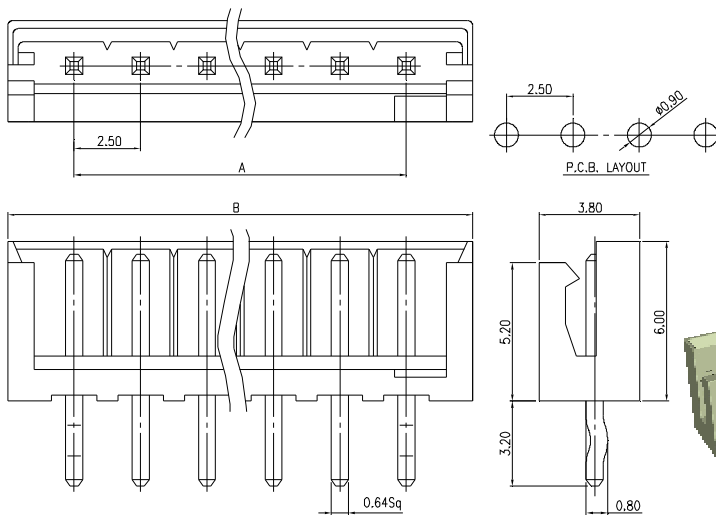
MATING CONNECTOR

PRODUCT	PART NO.
HOUSING	MCs006-__-H
TERMINAL	MCs006-T

PART NO.	CIRCUITS	DIMENSION	
		A	B
MCs006-Pa02T	2	2.50	7.50
MCs006-Pa03T	3	5.00	10.00
MCs006-Pa04T	4	7.50	12.50
MCs006-Pa05T	5	10.00	15.00
MCs006-Pa06T	6	12.50	17.50
MCs006-Pa07T	7	15.00	20.00
MCs006-Pa08T	8	17.50	22.50
MCs006-Pa09T	9	20.00	25.00
MCs006-Pa10T	10	22.50	27.50
MCs006-Pa11T	11	25.00	30.00
MCs006-Pa12T	12	27.50	32.50
MCs006-Pa13T	13	30.00	35.00
MCs006-Pa14T	14	32.50	37.50
MCs006-Pa15T	15	35.00	40.00



2.50 mm WAFER - MCs 007 STRAIGHT TYPE - P



SPECIFICATIONS

CURRENT RATING: 2.5A AC/DC
 VOLTAGE RATING: 250V AC/DC
 WITHSTAND VOLTAGE: 800V AC/MINUTE
 INSULATOR RESISTANCE: 1000M OHM MIN.
 TEMPERATURE RANGE: -25°C ~ +85°C
 CONTACT RESISTANCE: 10m OHM MAX

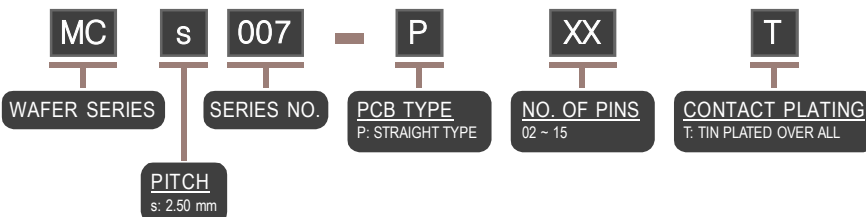
MATERIALS

BASE: NYLON 66, UL 94V-2
 CONTACT: BRASS, TIN PLATED

MATING CONNECTOR

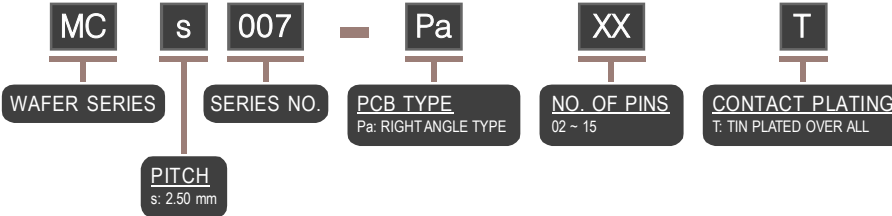
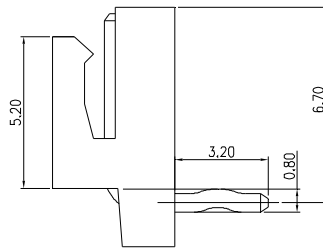
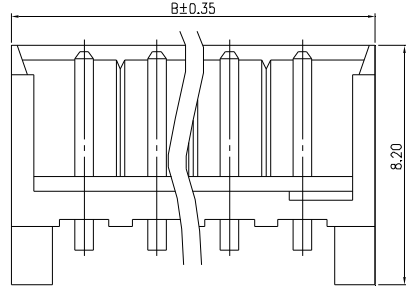
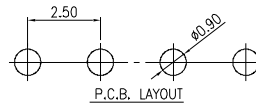
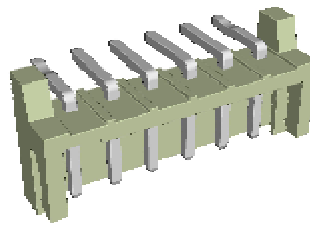
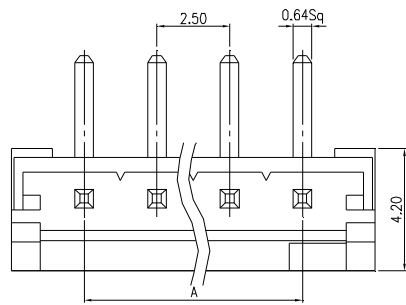
PRODUCT	PART NO.
HOUSING	MCs007-__-H
TERMINAL	MCs007-T

PART NO.	CIRCUITS	DIMENSION	
		A	B
MCs007-P02T	2	2.50	7.50
MCs007-P03T	3	5.00	10.00
MCs007-P04T	4	7.50	12.50
MCs007-P05T	5	10.00	15.00
MCs007-P06T	6	12.50	17.50
MCs007-P07T	7	15.00	20.00
MCs007-P08T	8	17.50	22.50
MCs007-P09T	9	20.00	25.00
MCs007-P10T	10	22.50	27.50
MCs007-P11T	11	25.00	30.00
MCs007-P12T	12	27.50	32.50
MCs007-P13T	13	30.00	35.00
MCs007-P14T	14	32.50	37.50
MCs007-P15T	15	35.00	40.00



NOTE : SOME SIZES, STYLES AND OPTION ARE NON-STANDARD, NON-CANCELLABLE, NON-RETURNABLE

2.50 mm WAFER - MCs 007 RIGHT ANGLE TYPE - Pa



SPECIFICATIONS

CURRENT RATING: 2.5A AC/DC
 VOLTAGE RATING: 250V AC/DC
 WITHSTAND VOLTAGE: 800V AC/MINUTE
 INSULATOR RESISTANCE: 1000M OHM MIN.
 TEMPERATURE RANGE: -25°C ~ +85°C
 CONTACT RESISTANCE: 10m OHM MAX

MATERIALS

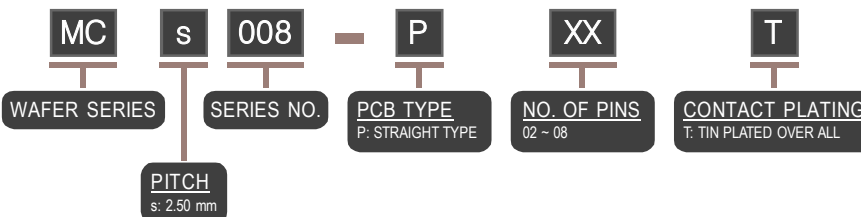
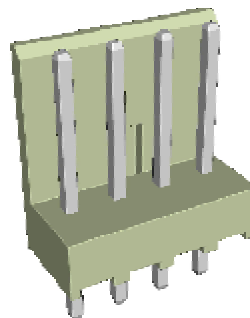
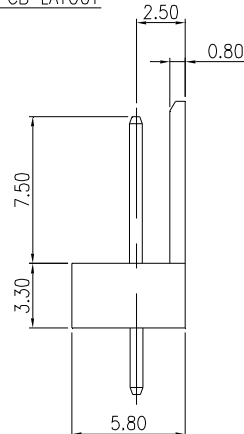
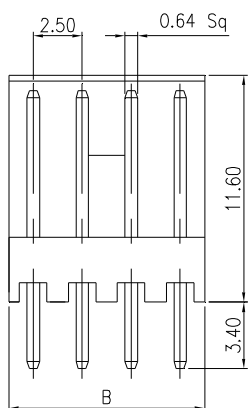
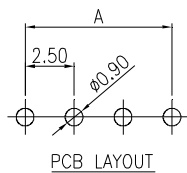
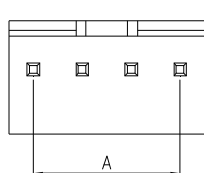
BASE: NYLON 66, UL 94V-0
 CONTACT: BRASS, TIN PLATED

MATING CONNECTOR

PRODUCT	PART NO.
HOUSING	MCs007-___-H
TERMINAL	MCs007-T

PART NO.	CIRCUITS	DIMENSION	
		A	B
MCs007-Pa02T	2	2.50	7.50
MCs007-Pa03T	3	5.00	10.00
MCs007-Pa04T	4	7.50	12.50
MCs007-Pa05T	5	10.00	15.00
MCs007-Pa06T	6	12.50	17.50
MCs007-Pa07T	7	15.00	20.00
MCs007-Pa08T	8	17.50	22.50
MCs007-Pa09T	9	20.00	25.00
MCs007-Pa10T	10	22.50	27.50
MCs007-Pa11T	11	25.00	30.00
MCs007-Pa12T	12	27.50	32.50
MCs007-Pa13T	13	30.00	35.00
MCs007-Pa14T	14	32.50	37.50
MCs007-Pa15T	15	35.00	40.00

2.50 mm WAFER - MCs 008 STRAIGHT TYPE - P



SPECIFICATIONS

CURRENT RATING: 2.5A AC/DC
 VOLTAGE RATING: 250V AC/DC
 WITHSTAND VOLTAGE: 800V AC/MINUTE
 INSULATOR RESISTANCE: 1000M OHM MIN.
 TEMPERATURE RANGE: -25°C ~ +85°C
 CONTACT RESISTANCE: 10m OHM MAX

MATERIALS

BASE: NYLON 66, UL 94V-2
 CONTACT: BRASS, TIN PLATED

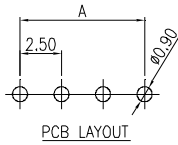
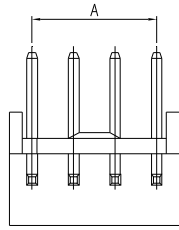
MATING CONNECTOR

PRODUCT	PART NO.
HOUSING	MCs008-___-H
TERMINAL	MCs008-T

PART NO.	CIRCUITS	DIMENSION	
		A	B
MCs008-P02T	2	2.50	5.00
MCs008-P03T	3	5.00	7.50
MCs008-P04T	4	7.50	10.00
MCs008-P05T	5	10.00	12.50
MCs008-P06T	6	12.50	15.00
MCs008-P07T	7	15.00	17.50
MCs008-P08T	8	17.50	20.00

NOTE : SOME SIZES, STYLES AND OPTION ARE NON-STANDARD, NON-CANCELLABLE, NON-RETURNABLE

2.50 mm WAFER - MCs 008 RIGHT ANGLE TYPE - Pa

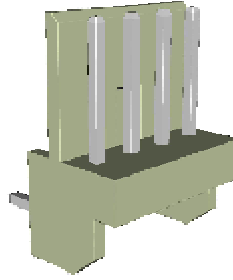
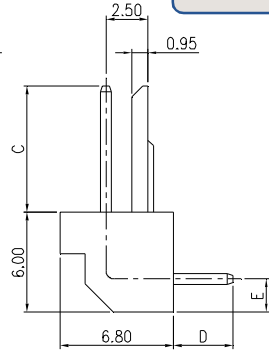
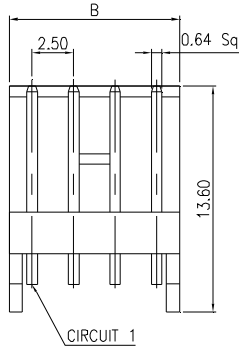


SPECIFICATIONS

CURRENT RATING: 3A AC/DC
 VOLTAGE RATING: 250V AC/DC
 WITHSTAND VOLTAGE: 800V AC/MINUTE
 INSULATOR RESISTANCE: 1000M OHM MIN.
 TEMPERATURE RANGE: -25°C ~ +85°C
 CONTACT RESISTANCE: 10m OHM MAX

MATERIALS

BASE: NYLON 66, UL 94V-0
 CONTACT: BRASS, TIN PLATED



PART NO.	CIRCUITS	DIMENSION				
		A	B	C	D	E
MCs008-Pa02T	2	2.50	5.00	7.60	3.60	2.00
MCs008-Pa03T	3	5.00	7.50	7.60	3.60	2.00
MCs008-Pa04T	4	7.50	10.00	7.60	3.60	2.00
MCs008-Pa05T	5	10.00	12.50	7.60	3.60	2.00
MCs008-Pa06T	6	12.50	15.00	7.60	3.60	2.00
MCs008-Pa07T	7	15.00	17.50	7.60	3.60	2.00
MCs008-Pa08T	8	17.50	20.00	7.60	3.60	2.00
MCs008-Pa09T	9	20.00	22.50	7.60	3.60	2.00
MCs008-Pa10T	10	22.50	25.00	7.60	3.60	2.00
MCs008-Pa11T	11	25.00	27.50	7.60	3.60	2.00
MCs008-Pa12T	12	27.50	30.00	7.60	3.60	2.00

PART NO.	CIRCUITS	DIMENSION				
		A	B	C	D	E
MCs008-Pa02T-S	2	2.50	5.00	6.80	3.40	1.00
MCs008-Pa03T-S	3	5.00	7.50	6.80	3.40	1.00
MCs008-Pa04T-S	4	7.50	10.00	6.80	3.40	1.00
MCs008-Pa05T-S	5	10.00	12.50	6.80	3.40	1.00
MCs008-Pa06T-S	6	12.50	15.00	6.80	3.40	1.00
MCs008-Pa07T-S	7	15.00	17.50	6.80	3.40	1.00
MCs008-Pa08T-S	8	17.50	20.00	6.80	3.40	1.00
MCs008-Pa09T-S	9	20.00	22.50	6.80	3.40	1.00
MCs008-Pa10T-S	10	22.50	25.00	6.80	3.40	1.00
MCs008-Pa11T-S	11	25.00	27.50	6.80	3.40	1.00
MCs008-Pa12T-S	12	27.50	30.00	6.80	3.40	1.00

MATING CONNECTOR	
PRODUCT	PART NO.
HOUSING	MCs008-__-H
TERMINAL	MCs008-T

MC **s** **008** - **Pa** **XX** **T** - **X**

WAFER SERIES SERIES NO. PCB TYPE
 Pa: RIGHT ANGLE TYPE

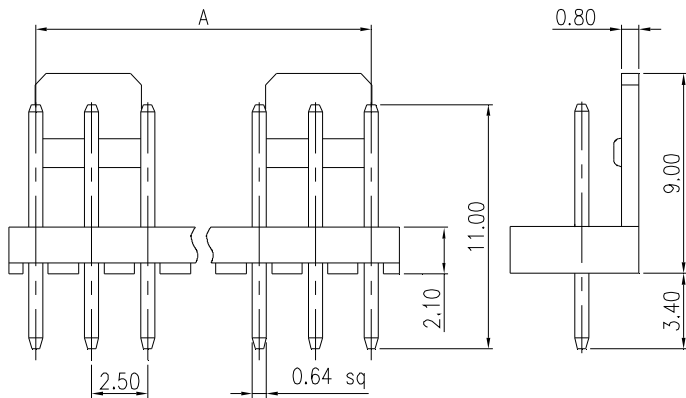
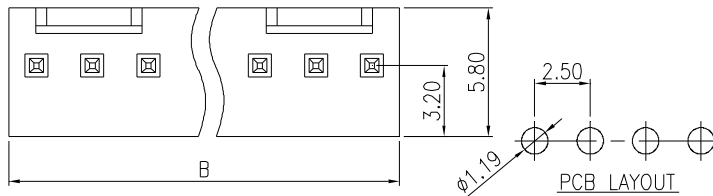
CONTACT PLATING
 T: TIN PLATED OVER ALL

PIN HEIGHT OPTION
 BLANK: DIM.C = 7.60 mm
 S: DIM.C = 6.80 mm

PITCH
 s: 2.50 mm

NO. OF PINS
 02 ~ 12

2.50 mm WAFER - MCs 009 STRAIGHT TYPE - P



SPECIFICATIONS

CURRENT RATING: 3A AC/DC
 VOLTAGE RATING: 250V AC/DC
 WITHSTAND VOLTAGE: 1500V AC/MINUTE
 INSULATOR RESISTANCE: 5000M OHM MIN.
 TEMPERATURE RANGE: -40°C ~ +105°C
 CONTACT RESISTANCE: INITIAL VALUE 10m OHM MAX.
 AFTER ENVIRONMENTAL TESTING: 20m OHM MAX.

MATERIALS

BASE: NYLON 66, UL 94V-2
 CONTACT: BRASS, TIN PLATED

MATING CONNECTOR	
PRODUCT	PART NO.
HOUSING	MCs009-__-H
TERMINAL	MCs009-T

PART NO.	CIRCUITS	DIMENSION	
		A	B
MCs009-P02T	2	2.50	5.00
MCs009-P03T	3	5.00	7.50
MCs009-P04T	4	7.50	10.00
MCs009-P05T	5	10.00	12.50
MCs009-P06T	6	12.50	15.00
MCs009-P07T	7	15.00	17.50
MCs009-P08T	8	17.50	20.00
MCs009-P09T	9	20.00	22.50
MCs009-P10T	10	22.50	25.00
MCs009-P11T	11	25.00	27.50
MCs009-P12T	12	27.50	30.00
MCs009-P13T	13	30.00	32.50
MCs009-P14T	14	32.50	35.00
MCs009-P15T	15	35.00	37.50
MCs009-P16T	16	37.50	40.00
MCs009-P17T	17	40.00	42.50
MCs009-P18T	18	42.50	45.00
MCs009-P19T	19	45.00	47.50
MCs009-P20T	20	47.50	50.00

MC **s** **009** - **P** **XX** **T**

WAFER SERIES SERIES NO. PCB TYPE
 P: STRAIGHT TYPE

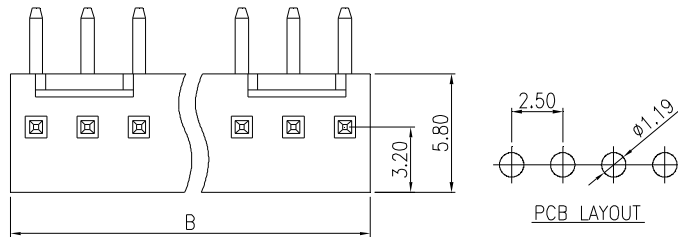
NO. OF PINS
 02 ~ 20

CONTACT PLATING
 T: TIN PLATED OVER ALL

PITCH
 s: 2.50 mm

NOTE : SOME SIZES, STYLES AND OPTION ARE NON-STANDARD, NON-CANCELLABLE, NON-RETURNABLE

2.50 mm WAFER - MCs 009 RIGHT ANGLE TYPE - Pa



SPECIFICATIONS

CURRENT RATING: 3A AC/DC
 VOLTAGE RATING: 250V AC/DC
 WITHSTAND VOLTAGE: 1500V AC/MINUTE
 INSULATOR RESISTANCE: 5000M OHM MIN.
 TEMPERATURE RANGE: -40°C ~ +105°C
 CONTACT RESISTANCE: INITIAL VALUE 10m OHM MAX.
 AFTER ENVIRONMENTAL TESTING: 20m OHM MAX.

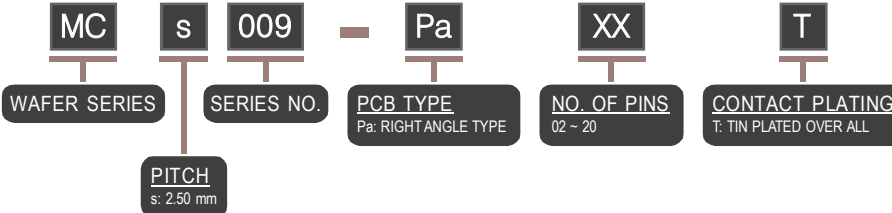
MATERIALS

BASE: NYLON 66, UL 94V-0
 CONTACT: BRASS, TIN PLATED

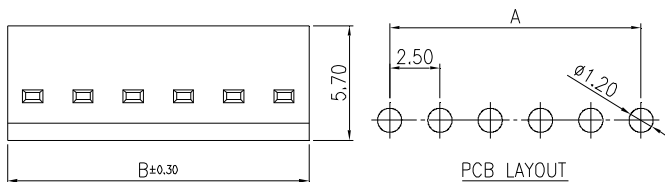
MATING CONNECTOR

PRODUCT	PART NO.
HOUSING	MCs009-__-H
TERMINAL	MCs009-T

PART NO.	CIRCUITS	DIMENSION	
		A	B
MCs009-Pa02T	2	2.50	5.00
MCs009-Pa03T	3	5.00	7.50
MCs009-Pa04T	4	7.50	10.00
MCs009-Pa05T	5	10.00	12.50
MCs009-Pa06T	6	12.50	15.00
MCs009-Pa07T	7	15.00	17.50
MCs009-Pa08T	8	17.50	20.00
MCs009-Pa09T	9	20.00	22.50
MCs009-Pa10T	10	22.50	25.00
MCs009-Pa11T	11	25.00	27.50
MCs009-Pa12T	12	27.50	30.00
MCs009-Pa13T	13	30.00	32.50
MCs009-Pa14T	14	32.50	35.00
MCs009-Pa15T	15	35.00	37.50
MCs009-Pa16T	16	37.50	40.00
MCs009-Pa17T	17	40.00	42.50
MCs009-Pa18T	18	42.50	45.00
MCs009-Pa19T	19	45.00	47.50
MCs009-Pa20T	20	47.50	50.00



2.50 mm WAFER - MCs 010 STRAIGHT TYPE - P



SPECIFICATIONS

CURRENT RATING: 3A AC/DC
 WITHSTAND VOLTAGE: 1500V AC/MINUTE
 INSULATOR RESISTANCE: 500M OHM MIN.
 TEMPERATURE RANGE: -25°C ~ +85°C
 CONTACT RESISTANCE: 20m OHM MAX

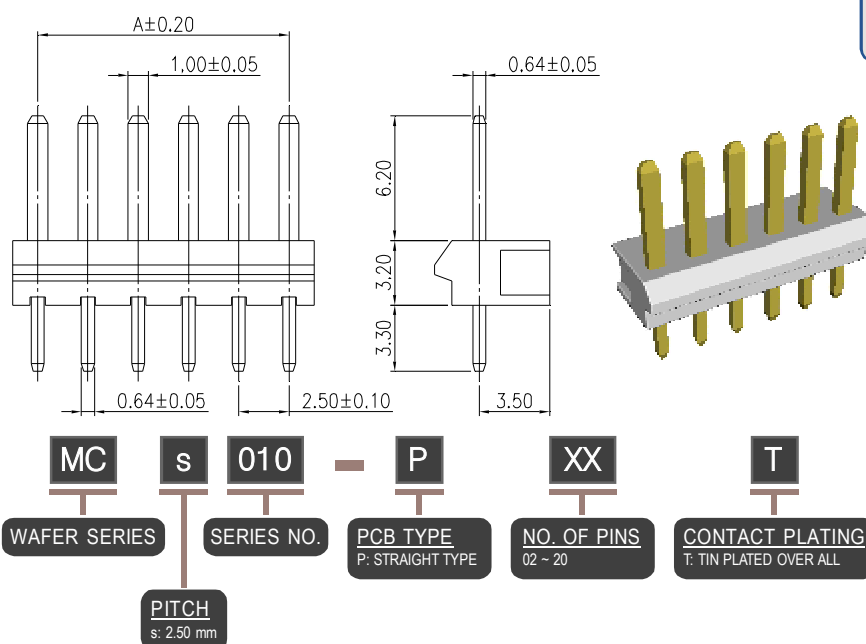
MATERIALS

BASE: NYLON 66, UL 94V-0
 CONTACT: BRASS, TIN PLATED

MATING CONNECTOR

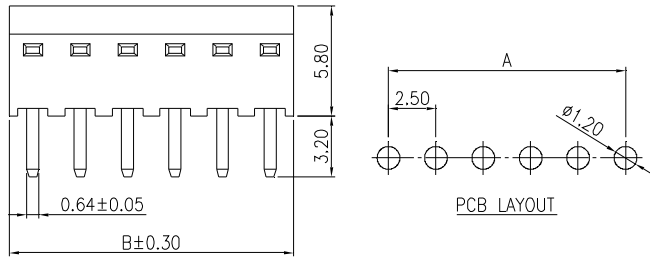
PRODUCT	PART NO.
HOUSING	MCs010-__-H
TERMINAL	MCs010-T

PART NO.	CIRCUITS	DIMENSION	
		A	B
MCs010-P02T	2	2.50	5.00
MCs010-P03T	3	5.00	7.50
MCs010-P04T	4	7.50	10.00
MCs010-P05T	5	10.00	12.50
MCs010-P06T	6	12.50	15.00
MCs010-P07T	7	15.00	17.50
MCs010-P08T	8	17.50	20.00
MCs010-P09T	9	20.00	22.50
MCs010-P10T	10	22.50	25.00
MCs010-P11T	11	25.00	27.50
MCs010-P12T	12	27.50	30.00
MCs010-P13T	13	30.00	32.50
MCs010-P14T	14	32.50	35.00
MCs010-P15T	15	35.00	37.50
MCs010-P16T	16	37.50	40.00
MCs010-P17T	17	40.00	42.50
MCs010-P18T	18	42.50	45.00
MCs010-P19T	19	45.00	47.50
MCs010-P20T	20	47.50	50.00



NOTE : SOME SIZES, STYLES AND OPTION ARE NON-STANDARD, NON-CANCELLABLE, NON-RETURNABLE

2.50 mm WAFER - MCs 010 RIGHT ANGLE TYPE - Pa

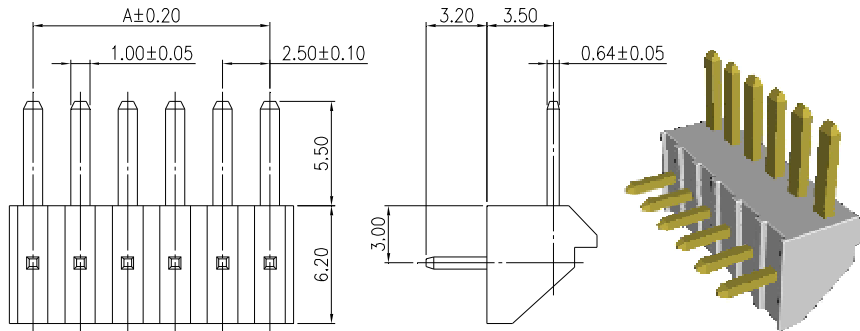


SPECIFICATIONS

CURRENT RATING: 3A AC/DC
 WITHSTAND VOLTAGE: 1500V AC/MINUTE
 INSULATOR RESISTANCE: 500M OHM MIN.
 TEMPERATURE RANGE: -25°C ~ +85°C
 CONTACT RESISTANCE: 20m OHM MAX

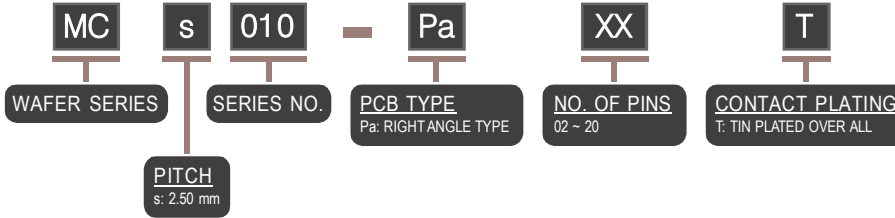
MATERIALS

BASE: NYLON 66, UL 94V-0
 CONTACT: BRASS, TIN PLATED



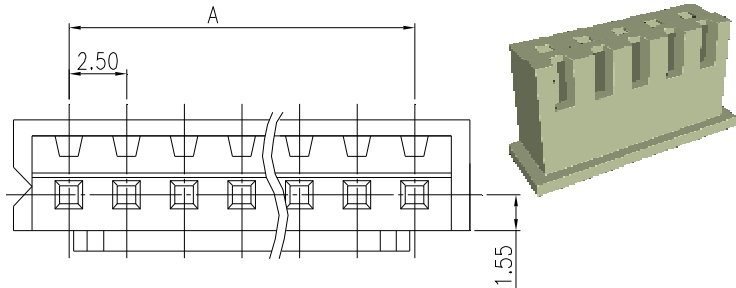
MATING CONNECTOR	
PRODUCT	PART NO.
HOUSING	MCs010-__-H
TERMINAL	MCs010-T

PART NO.	CIRCUITS	DIMENSION	
		A	B
MCs010-Pa02T	2	2.50	5.00
MCs010-Pa03T	3	5.00	7.50
MCs010-Pa04T	4	7.50	10.00
MCs010-Pa05T	5	10.00	12.50
MCs010-Pa06T	6	12.50	15.00
MCs010-Pa07T	7	15.00	17.50
MCs010-Pa08T	8	17.50	20.00
MCs010-Pa09T	9	20.00	22.50
MCs010-Pa10T	10	22.50	25.00
MCs010-Pa11T	11	25.00	27.50
MCs010-Pa12T	12	27.50	30.00
MCs010-Pa13T	13	30.00	32.50
MCs010-Pa14T	14	32.50	35.00
MCs010-Pa15T	15	35.00	37.50
MCs010-Pa16T	16	37.50	40.00
MCs010-Pa17T	17	40.00	42.50
MCs010-Pa18T	18	42.50	45.00
MCs010-Pa19T	19	45.00	47.50
MCs010-Pa20T	20	47.50	50.00



NOTE : SOME SIZES, STYLES AND OPTION ARE NON-STANDARD, NON-CANCELLABLE, NON-RETURNABLE

2.50 mm HOUSING - MCs 001

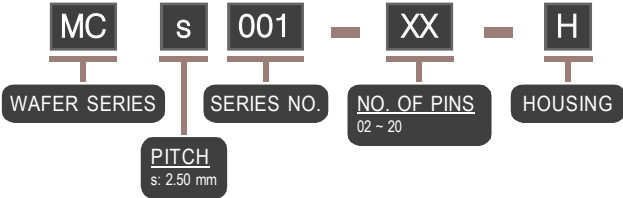
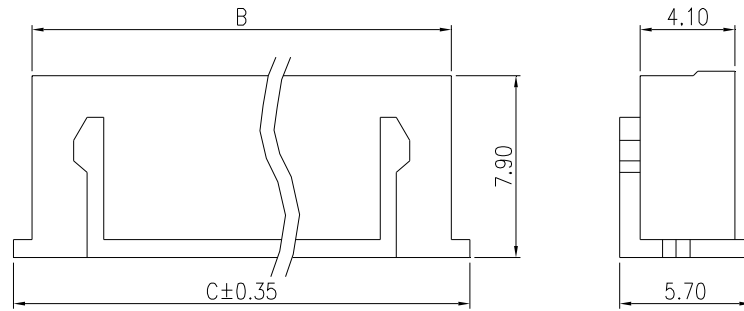


SPECIFICATIONS

VOLTAGE RATING: 250V AC/DC
 CURRENT RATING: 3A AC/DC
 WITHSTAND VOLTAGE: 1000V AC/MINUTE
 INSULATOR RESISTANCE: 1000M OHM MIN.
 TEMPERATURE RANGE: -25°C ~ +85°C
 CONTACT RESISTANCE: INITIAL VALUE 10m OHM MAX.
 AFTER ENVIRONMENTAL TESTING: 20m OHM MAX.

MATERIALS

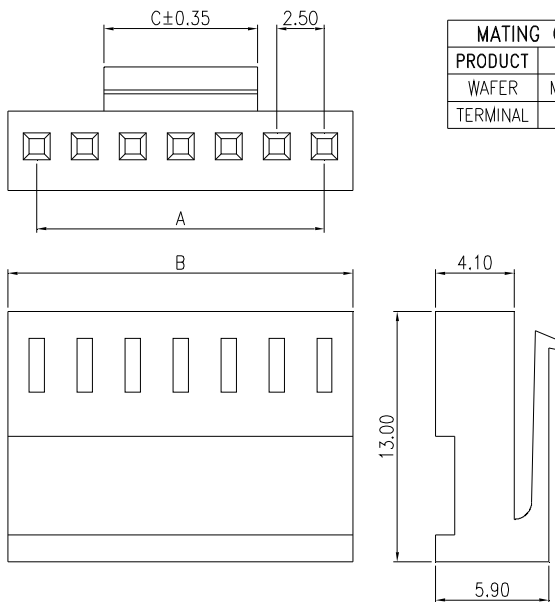
BASE: NYLON 66, UL 94V-0



MATING CONNECTOR	
PRODUCT	PART NO.
WAFER	MCs001 SERIES
TERMINAL	MCs001-T

PART NO.	CIRCUITS	DIMENSION		
		A	B	C
MCs001-02-H	2	2.50	5.70	7.30
MCs001-03-H	3	5.00	8.20	9.80
MCs001-04-H	4	7.50	10.70	12.30
MCs001-05-H	5	10.00	13.20	14.80
MCs001-06-H	6	12.50	15.70	17.30
MCs001-07-H	7	15.00	18.20	19.80
MCs001-08-H	8	17.50	20.70	22.30
MCs001-09-H	9	20.00	23.20	24.80
MCs001-10-H	10	22.50	25.70	27.30
MCs001-11-H	11	25.00	28.20	29.80
MCs001-12-H	12	27.50	30.70	32.30
MCs001-13-H	13	30.00	33.20	34.80
MCs001-14-H	14	32.50	35.70	37.30
MCs001-15-H	15	35.00	38.20	39.80
MCs001-16-H	16	37.50	40.70	42.30
MCs001-17-H	17	40.00	43.20	44.80
MCs001-18-H	18	42.50	45.70	47.30
MCs001-19-H	19	45.00	48.20	49.80
MCs001-20-H	20	47.50	50.70	52.30

2.50 mm HOUSING - MCs 004



MATING CONNECTOR	
PRODUCT	PART NO.
WAFER	MCs004 SERIES
TERMINAL	MCs004-T

SPECIFICATIONS

VOLTAGE RATING: 250V AC/DC
 CURRENT RATING: 3A AC/DC
 WITHSTAND VOLTAGE: 1000V AC/MINUTE
 INSULATOR RESISTANCE: 1000M OHM MIN.
 TEMPERATURE RANGE: -25°C ~ +85°C
 CONTACT RESISTANCE: INITIAL VALUE 10m OHM MAX.
 AFTER ENVIRONMENTAL TESTING: 20m OHM MAX.

MATERIALS

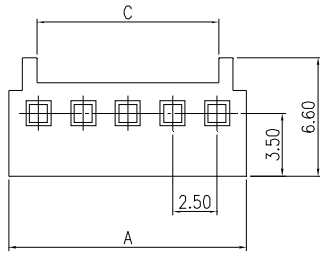
BASE: NYLON 66, UL 94V-0 + GLASS FIBER



PART NO.	CIRCUITS	DIMENSION		
		A	B	C
MCs004-02-H	2	2.50	5.50	2.00
MCs004-03-H	3	5.00	8.00	2.50
MCs004-04-H	4	7.50	10.50	5.00
MCs004-05-H	5	10.00	13.00	5.00
MCs004-06-H	6	12.50	15.50	6.00
MCs004-07-H	7	15.00	18.00	8.00
MCs004-08-H	8	17.50	20.50	10.00
MCs004-09-H	9	20.00	23.00	10.00
MCs004-10-H	10	22.50	25.50	10.00
MCs004-11-H	11	25.00	28.00	11.00
MCs004-12-H	12	27.50	30.50	11.00
MCs004-13-H	13	30.00	33.00	13.00
MCs004-14-H	14	32.50	35.50	13.00
MCs004-15-H	15	35.00	38.00	13.00

NOTE : SOME SIZES, STYLES AND OPTION ARE NON-STANDARD, NON-CANCELLABLE, NON-RETURNABLE

2.50 mm HOUSING - MCs 005



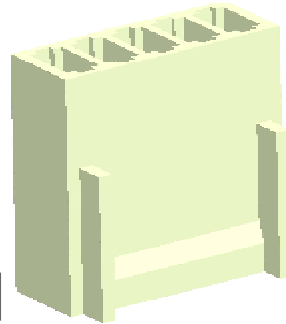
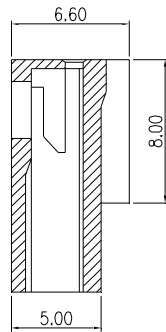
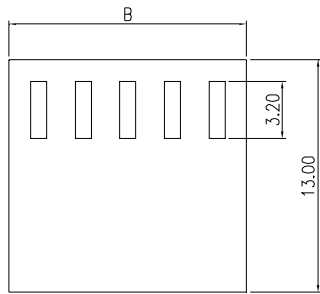
MATING CONNECTOR	
PRODUCT	PART NO.
WAFER	MCs005 SERIES
TERMINAL	MCs006-T

SPECIFICATIONS

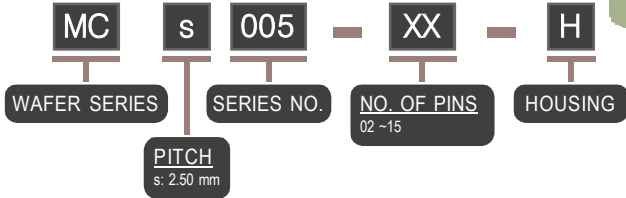
VOLTAGE RATING: 250V AC/DC
 CURRENT RATING: 3A AC/DC
 WITHSTAND VOLTAGE: 1000V AC/MINUTE
 INSULATOR RESISTANCE: 1000M OHM MIN.
 TEMPERATURE RANGE: -25°C ~ +85°C
 CONTACT RESISTANCE: INITIAL VALUE 10m OHM MAX.
 AFTER ENVIRONMENTAL TESTING: 20m OHM MAX.
 APPLICABLE PC BOARD THICKNESS: 1.60 mm

MATERIALS

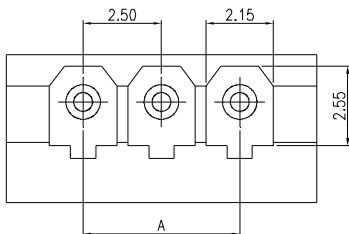
BASE: NYLON 66, UL 94V-2



PART NO.	CIRCUITS	DIMENSION		
		A	B	C
MCs005-02-H	2	2.50	5.80	2.70
MCs005-03-H	3	5.00	8.30	5.20
MCs005-04-H	4	7.50	10.80	7.70
MCs005-05-H	5	10.00	13.30	10.20
MCs005-06-H	6	12.50	15.80	12.70
MCs005-07-H	7	15.00	18.30	15.20
MCs005-08-H	8	17.50	20.80	17.70
MCs005-09-H	9	20.00	23.30	20.20
MCs005-10-H	10	22.50	25.80	22.70
MCs005-11-H	11	25.00	28.30	25.20
MCs005-12-H	12	27.50	30.80	27.70
MCs005-13-H	13	30.00	33.30	30.20
MCs005-14-H	14	32.50	35.80	32.70
MCs005-15-H	15	35.00	38.30	35.20



2.50 mm HOUSING - MCs 006



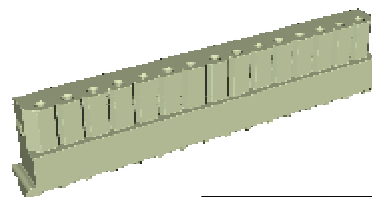
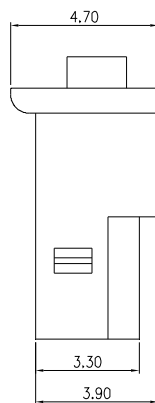
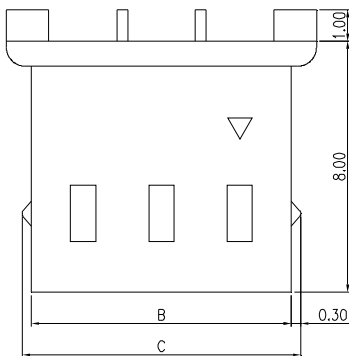
MATING CONNECTOR	
PRODUCT	PART NO.
WAFER	MCs006 SERIES
TERMINAL	MCs006-T

SPECIFICATIONS

VOLTAGE RATING: 250V AC/DC
 CURRENT RATING: 3A AC/DC
 WITHSTAND VOLTAGE: 1000V AC/MINUTE
 INSULATOR RESISTANCE: 1000M OHM MIN.
 TEMPERATURE RANGE: -25°C ~ +85°C
 CONTACT RESISTANCE: 10m OHM MAX.

MATERIALS

BASE: NYLON 66, UL 94V-0

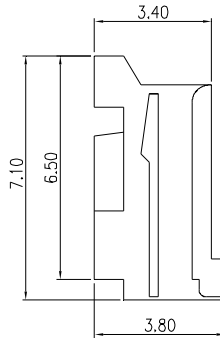
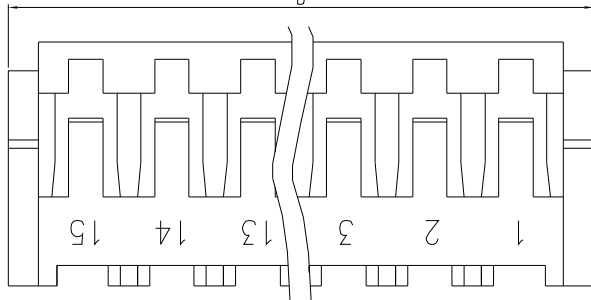
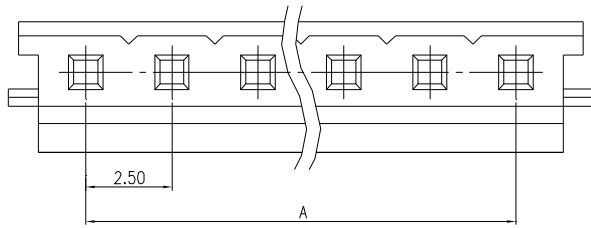


PART NO.	CIRCUITS	DIMENSION		
		A	B	C
MCs006-02-H	2	2.50	5.80	6.40
MCs006-03-H	3	5.00	8.30	8.90
MCs006-04-H	4	7.50	10.80	11.40
MCs006-05-H	5	10.00	13.30	13.90
MCs006-06-H	6	12.50	15.80	16.40
MCs006-07-H	7	15.00	18.30	18.90
MCs006-08-H	8	17.50	20.80	21.40
MCs006-09-H	9	20.00	23.30	
MCs006-10-H	10	22.50	25.80	
MCs006-11-H	11	25.00	28.30	
MCs006-12-H	12	27.50	30.80	NO
MCs006-13-H	13	30.00	33.30	LOCK
MCs006-14-H	14	32.50	35.80	
MCs006-15-H	15	35.00	38.30	
MCs006-16-H	16	37.50	40.80	



NOTE : SOME SIZES, STYLES AND OPTION ARE NON-STANDARD, NON-CANCELLABLE, NON-RETURNABLE

2.50 mm HOUSING - MCs 007

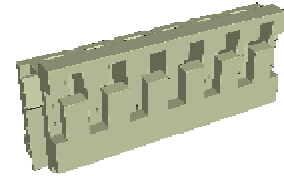


SPECIFICATIONS

VOLTAGE RATING: 250V AC/DC
 CURRENT RATING: 2.5A AC/DC
 WITHSTAND VOLTAGE: 800V AC/MINUTE
 INSULATOR RESISTANCE: 1000M OHM MIN.
 TEMPERATURE RANGE: -25°C ~ +85°C
 CONTACT RESISTANCE: 20m OHM MAX.

MATERIALS

BASE: NYLON 66, UL 94V-0

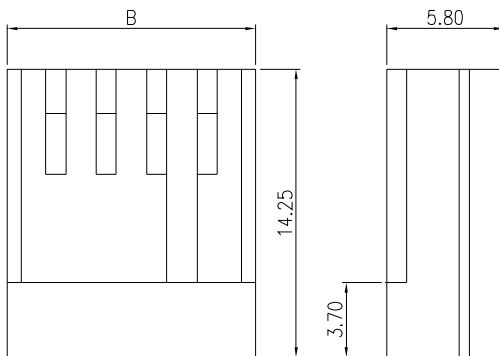
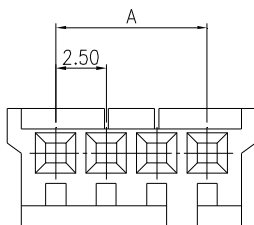


PART NO.	CIRCUITS	DIMENSION	
		A	B
MCs007-02-H	2	2.50	7.00
MCs007-03-H	3	5.00	9.50
MCs007-04-H	4	7.50	12.00
MCs007-05-H	5	10.00	14.50
MCs007-06-H	6	12.50	17.00
MCs007-07-H	7	15.00	19.50
MCs007-08-H	8	17.50	22.00
MCs007-09-H	9	20.00	24.50
MCs007-10-H	10	22.50	27.00
MCs007-11-H	11	25.00	29.50
MCs007-12-H	12	27.50	32.00
MCs007-13-H	13	30.00	34.50
MCs007-14-H	14	32.50	37.00
MCs007-15-H	15	35.00	39.50



MATING CONNECTOR	
PRODUCT	PART NO.
WAFER	MCs007 SERIES
TERMINAL	MCs007-T

2.50 mm HOUSING - MCs 008



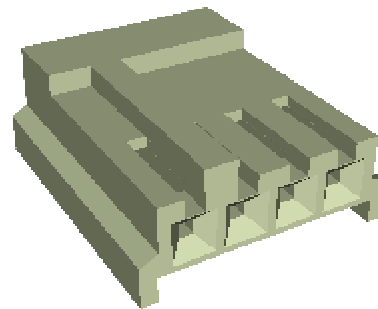
MATING CONNECTOR	
PRODUCT	PART NO.
WAFER	MCs008 SERIES
TERMINAL	MCs008-T

SPECIFICATIONS

VOLTAGE RATING: 250V AC/DC
 CURRENT RATING: 2.5A AC/DC
 WITHSTAND VOLTAGE: 800V AC/MINUTE
 INSULATOR RESISTANCE: 1000M OHM MIN.
 TEMPERATURE RANGE: -25°C ~ +85°C
 CONTACT RESISTANCE: 20m OHM MAX.

MATERIALS

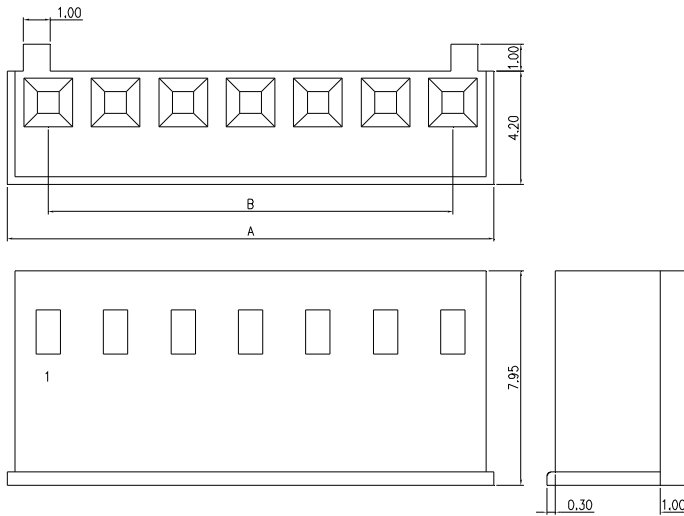
BASE: NYLON 66, UL 94V-0



PART NO.	CIRCUITS	DIMENSION	
		A	B
MCs008-02-H	2	2.50	5.00
MCs008-03-H	3	5.00	7.50
MCs008-04-H	4	7.50	10.00
MCs008-05-H	5	10.00	12.50
MCs008-06-H	6	12.50	15.00
MCs008-07-H	7	15.00	17.50
MCs008-08-H	8	17.50	20.00

NOTE : SOME SIZES, STYLES AND OPTION ARE NON-STANDARD, NON-CANCELLABLE, NON-RETURNABLE

2.50 mm HOUSING - MCs 009



SPECIFICATIONS

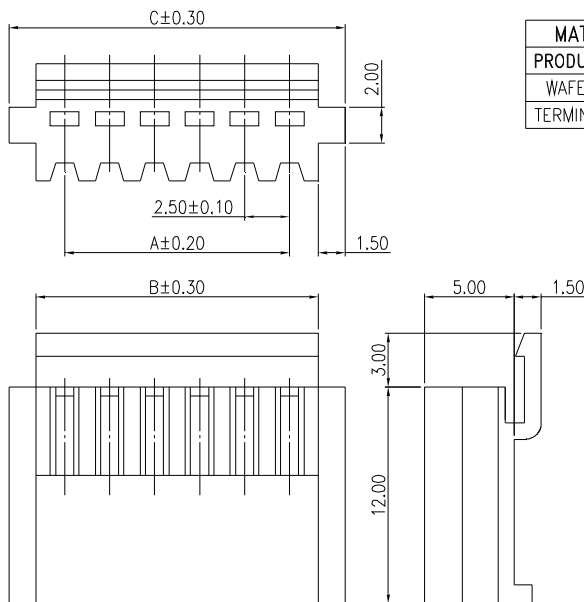
VOLTAGE RATING: 250V AC/DC
 CURRENT RATING: 3A AC/DC
 WITHSTAND VOLTAGE: 1500V AC/MINUTE
 INSULATOR RESISTANCE: 5000M OHM MIN.
 TEMPERATURE RANGE: -40°C ~ +105°C
 CONTACT RESISTANCE: INITIAL VALUE 10m OHM MAX.
 AFTER ENVIRONMENTAL TESTING: 20m OHM MAX.
 APPLICABLE WIRES: #22 ~ #30

PART NO.	CIRCUITS	DIMENSION	
		A	B
MCs009-02-H	2	5.54	2.50
MCs009-03-H	3	8.04	5.00
MCs009-04-H	4	10.54	7.50
MCs009-05-H	5	13.04	10.00
MCs009-06-H	6	15.54	12.50
MCs009-07-H	7	18.04	15.00
MCs009-08-H	8	20.54	17.50
MCs009-09-H	9	23.04	20.00
MCs009-10-H	10	25.04	22.50
MCs009-11-H	11	28.04	25.00
MCs009-12-H	12	30.54	27.50
MCs009-13-H	13	33.04	30.00
MCs009-14-H	14	35.54	32.50
MCs009-15-H	15	38.04	35.00
MCs009-16-H	16	40.54	37.50
MCs009-17-H	17	43.04	40.00
MCs009-18-H	18	45.54	42.50
MCs009-19-H	19	48.04	45.00
MCs009-20-H	20	50.54	47.50
MCs009-21-H	21	53.04	50.00
MCs009-22-H	22	55.54	52.50
MCs009-23-H	23	58.04	55.00
MCs009-24-H	24	60.54	57.50
MCs009-25-H	25	63.04	60.00



MATING CONNECTOR	
PRODUCT	PART NO.
WAFER	MCs009 SERIES
TERMINAL	MCs001-T

2.50 mm HOUSING - MCs 010



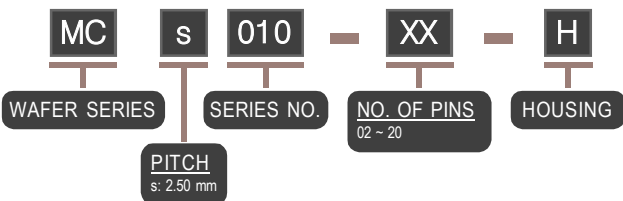
MATING CONNECTOR	
PRODUCT	PART NO.
WAFER	MCs010 SERIES
TERMINAL	MCs010-T

SPECIFICATIONS

VOLTAGE RATING: 250V AC/DC
 CURRENT RATING: 3A AC/DC
 WITHSTAND VOLTAGE: 1500V AC/MINUTE
 INSULATOR RESISTANCE: 500M OHM MIN.
 TEMPERATURE RANGE: -25°C ~ +85°C
 CONTACT RESISTANCE: 20m OHM MAX.

MATERIALS

BASE: NYLON 66, UL 94V-0



PART NO.	CIRCUITS	DIMENSION		
		A	B	C
MCs010-02-H	2	2.50	5.70	8.70
MCs010-03-H	3	5.00	8.20	11.20
MCs010-04-H	4	7.50	10.70	13.70
MCs010-05-H	5	10.00	13.20	16.20
MCs010-06-H	6	12.50	15.70	18.70
MCs010-07-H	7	15.00	18.20	21.20
MCs010-08-H	8	17.50	20.70	23.70
MCs010-09-H	9	20.00	23.20	26.20
MCs010-10-H	10	22.50	25.70	28.70
MCs010-11-H	11	25.00	28.20	31.20
MCs010-12-H	12	27.50	30.70	33.70
MCs010-13-H	13	30.00	33.20	36.20
MCs010-14-H	14	32.50	35.70	38.70
MCs010-15-H	15	35.00	38.20	41.20
MCs010-16-H	16	37.50	40.70	43.70
MCs010-17-H	17	40.00	43.20	46.20
MCs010-18-H	18	42.50	45.70	48.70
MCs010-19-H	19	45.00	48.20	51.20
MCs010-20-H	20	47.50	50.70	53.70

NOTE : SOME SIZES, STYLES AND OPTION ARE NON-STANDARD, NON-CANCELLABLE, NON-RETURNABLE