

**MMI**

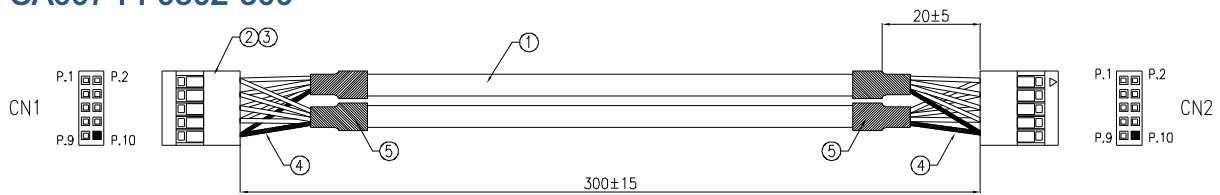
---

# **WIRE HARNESS**



# WIRE HARNESS

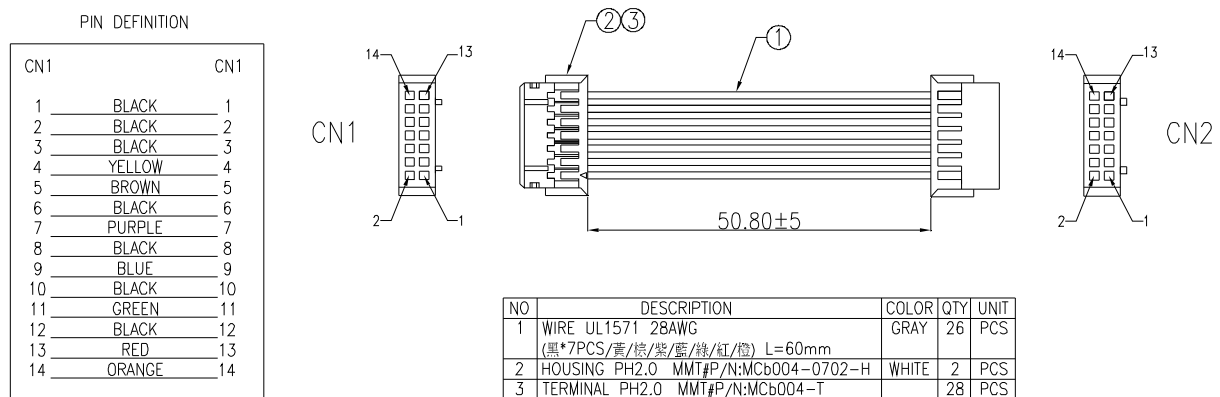
## CA007-FF0502-300



PIN DEFINITION		PIN DEFINITION	
CN1	CN2	CN1	CN2
1 RED	1	2 RED	2
2 GREEN	2	4 GREEN	4
3 WHITE	3	6 WHITE	6
5 BLACK	5	8 BLACK	8
7 SHIELD	7	9 SHIELD	9

NO	DESCRIPTION	COLOR	QTY	UNIT
1	ROUND CABLE USB2.0 UL2725 28#*2C+28#*1P+AB OD: 3.5±0.2MM	BLACK	315*2	MM
2	HOUSING MMT#P/N:MCa017-0502-H KEY PIN10 WITH"△"	YELLOW	2	PCS
3	TERMINAL MMT#P/N:MCa017-T		16	PCS
4	HEAT SHRINK TUBE 1.0*22MM	BLACK	4	PCS
5	HEAT SHRINK TUBE 4.0*15MM	BLACK	4	PCS

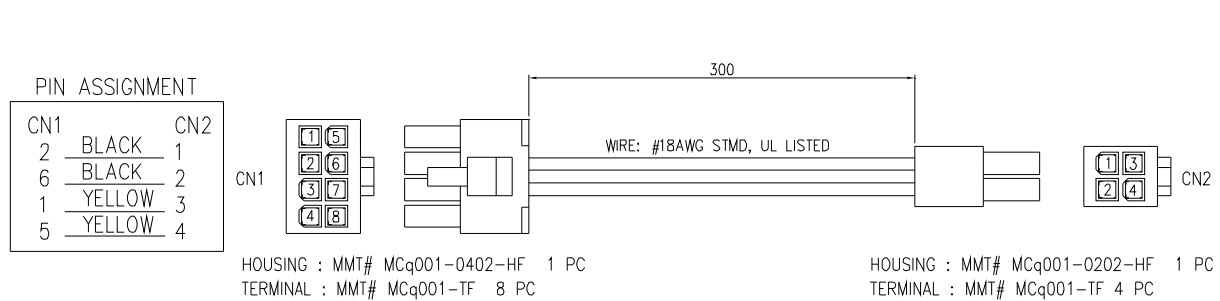
## CA007-FF0702-50



PIN DEFINITION	
CN1	CN1
1 BLACK	1
2 BLACK	2
3 BLACK	3
4 YELLOW	4
5 BROWN	5
6 BLACK	6
7 PURPLE	7
8 BLACK	8
9 BLUE	9
10 BLACK	10
11 GREEN	11
12 BLACK	12
13 RED	13
14 ORANGE	14

NO	DESCRIPTION	COLOR	QTY	UNIT
1	WIRE UL1571 28AWG (黑*7PCS/黄/棕/紫/绿/红/橙) L=60mm	GRAY	26	PCS
2	HOUSING PH2.0 MMT#P/N:MCb004-0702-H	WHITE	2	PCS
3	TERMINAL PH2.0 MMT#P/N:MCb004-T		28	PCS

## CA007-P08-P04-300

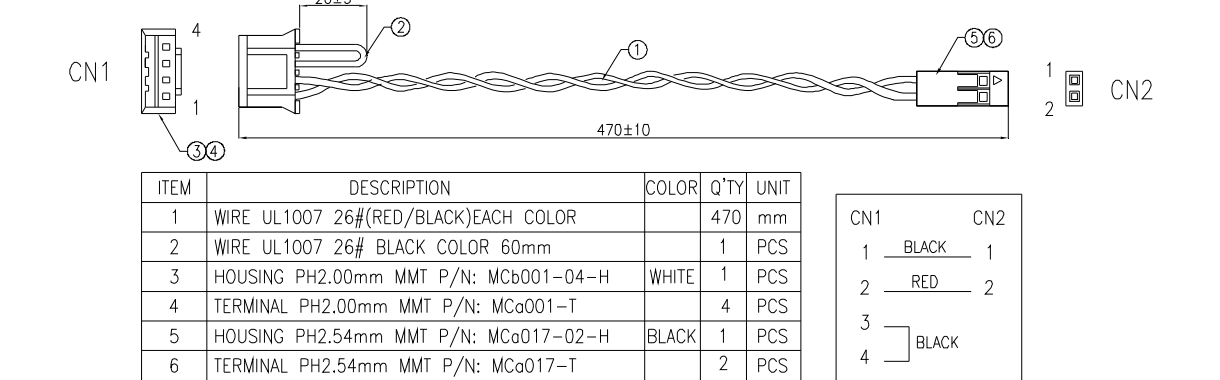


PIN ASSIGNMENT	
CN1	CN2
2 BLACK	1
6 BLACK	2
1 YELLOW	3
5 YELLOW	4

HOUSING : MMT# MCq001-0402-HF 1 PC  
 TERMINAL : MMT# MCq001-TF 8 PC

HOUSING : MMT# MCq001-0202-HF 1 PC  
 TERMINAL : MMT# MCq001-TF 4 PC

## CA007-470-TW



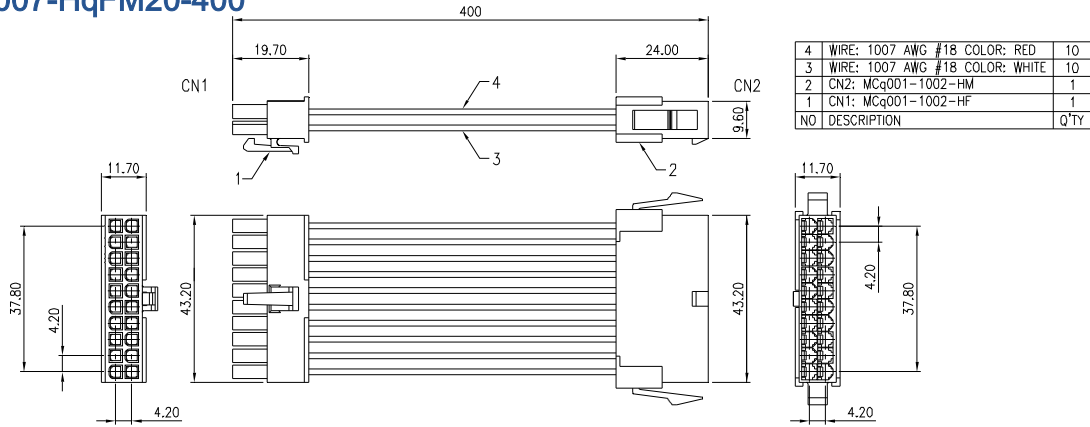
ITEM	DESCRIPTION	COLOR	Q'TY	UNIT
1	WIRE UL1007 26#(RED/BLACK)EACH COLOR		470	mm
2	WIRE UL1007 26# BLACK COLOR 60mm		1	PCS
3	HOUSING PH2.00mm MMT P/N: MCb001-04-H	WHITE	1	PCS
4	TERMINAL PH2.00mm MMT P/N: MCa001-T		4	PCS
5	HOUSING PH2.54mm MMT P/N: MCa017-02-H	BLACK	1	PCS
6	TERMINAL PH2.54mm MMT P/N: MCa017-T		2	PCS

CN1	CN2
1 BLACK	1
2 RED	2
3 ]	BLACK
4 ]	

**NOTE** : SOME SIZES, STYLES AND OPTION ARE NON-STANDARD, NON-CANCELLABLE, NON-RETURNABLE

# WIRE HARNESS

## CA007-HqFM20-400



**NOTE :** SOME SIZES, STYLES AND OPTION ARE NON-STANDARD, NON-CANCELLABLE, NON-RETURNABLE

[www.mmtmachrone.com](http://www.mmtmachrone.com)

**USA** TEL : 1-510-979-2188  
FAX : 1-510-979-2189

**TAIWAN** TEL : 886-2-2755-3193  
FAX : 886-2-2784-5109

**SINGAPORE** TEL : 65-6274-0566  
FAX : 65-6274-7891

# CUSTOM CABLE WORKSHEET

Choose the cable, Housing and connector wiring to create your own custom cables. Simply fill out the information on this sheet and fax it back to us. Don't worry if your connector is not shown, all others are available. Call us if you need help.

**CONNECTOR** : Mark your needs with a cross ( x ) ; 1.= Connector 1 , 2.= Connector 2

**MCa**

- 1. 2.
- 002-H
- 004-H
- 005-H
- 006-HLP
- 006-HL
- 006-HP
- 006-H
- 017-H
- 020-H
- 021-H
- 021-HK

**MCb**

- 1. 2.
- 001-H
- 002-H ( 1 ROW )
- 002-H ( 2 ROW )
- 004-H
- 005-H
- 006-H
- 007-H

**MCE**

- 1. 2.
- 001-HA
- 001-HB
- 002-H ( 1 ROW )
- 002-H ( 2 ROW )
- 003-H
- 004-HA
- 004-HB

**MCo**

- 1. 2.
- 001-HM
- 001-HF
- 002-HM
- 002-HF

**MCp**

- 1. 2.
- 001-H
- 001-HL
- 002-HM
- 002-HF
- 007-HM

**MCq**

- 1. 2.
- 001-HM
- 001-HF
- 003-H

**MCR**

- 1. 2.
- 001-H
- 003-H
- 007-H
- 008-H

**MCs**

- 1. 2.
- 001-H
- 004-H
- 005-H
- 006-H
- 007-H
- 008-H
- 009-H

**MCT**

- 1. 2.
- 001-H

**MCu**

- 1. 2.
- 002-H
- 003-H
- 004-H
- 005-H
- 006-H

**MCv**

- 1. 2.
- 001-HM
- 001-HF ( 1 ROW )
- 001-HF ( 2 ROW )

**MCw**

- 1. 2.
- 001-HM
- 001-HF
- 002-HM
- 002-HF
- 003-HM ( 1 ROW )
- 003-HM ( 2 ROW )
- 003-HM ( 3 ROW )
- 003-HF ( 1 ROW )
- 003-HF ( 2 ROW )
- 003-HF ( 3 ROW )

**MCx**

- 1. 2.
- 001-HM
- 001-HF

**MCy**

- 1. 2.
- 001-HM
- 001-HF

**HOUSING TYPE**

- H: HOUSING (STANDARD)
- L: WITH LOCK
- P: WITH GUIDE POINT
- K: WITH KEY
- M: MALE
- F: FEMALE

**MALE SHELL (ONLY MCE001&004)**

- A: WITHOUT SHELL
- B: WITH SHELL

**NO OF PINS :**

**CABLE LENGTH:**

\_\_\_\_\_mm

**SAMPLE/PO. QTY' :**

**Other request:**

*NOTE : SOME SIZES, STYLES AND OPTION ARE NON-STANDARD, NON-CANCELLABLE, NON-RETURNABLE*