

MMI

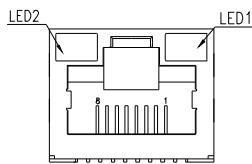
MODULAR JACK
WITH FILTER

MJKf SERIES RJ45 With / Without LED Type

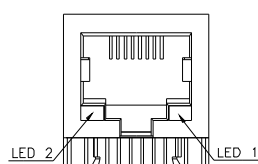
LED OPTION

LX	LED 2 (LEFT)	LED 1 (RIGHT)
L1	YELLOW	GREEN
L2	GREEN	GREEN
L3	GREEN	YELLOW
L5	GREEN	RED
L7	YELLOW	YELLOW
L8	BI-COLOR G / Y	BI-COLOR G / Y
L9	YELLOW	BI-COLOR G / O
L10	BI-COLOR O / G	YELLOW
L11	BI-COLOR G / Y	GREEN
L12	GREEN	BI-COLOR G / Y
L13	GREEN	BI-COLOR G / O

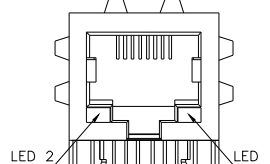
Note: Y = YELLOW, G = GREEN, R = RED, O = ORANGE



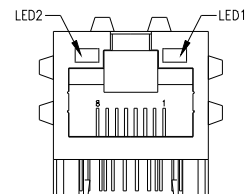
MJKf49XX



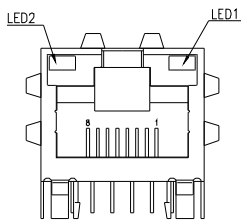
MJKf1210



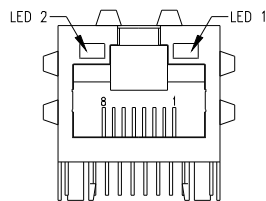
MJKf136X



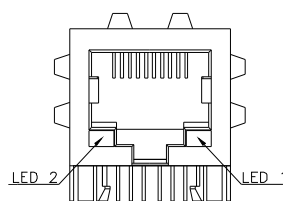
MJKf470X



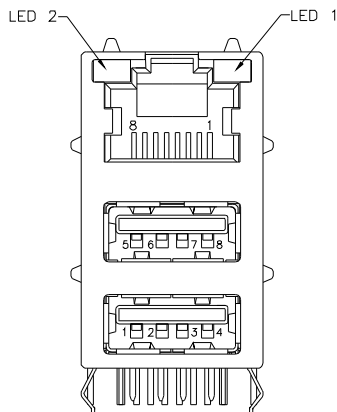
MJKf471X



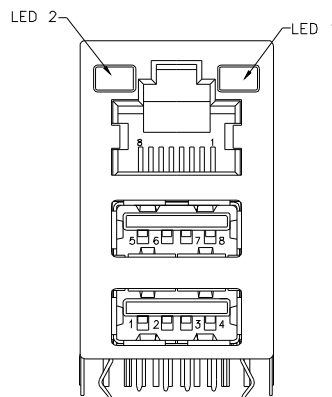
MJKf467X



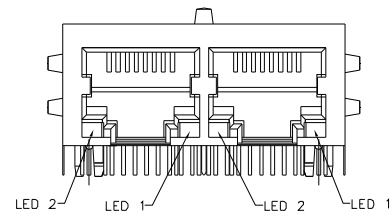
MJKf480X



MJKf44XX



MJKf45XX

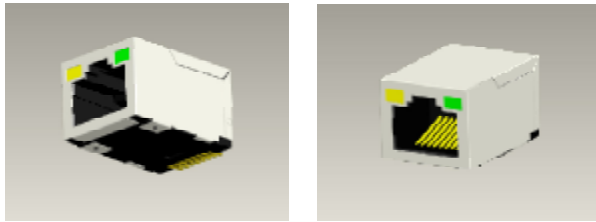


MJKf6XXX

NOTE : SOME SIZES, STYLES AND OPTION ARE NON-STANDARD, NON-CANCELLABLE, NON-RETURNABLE

49XX SERIES RJ45 JACK WITH 10/100 MAGNETIC RIGHT ANGLE SURFACE MOUNT - Rt

1X1 Tap-UP



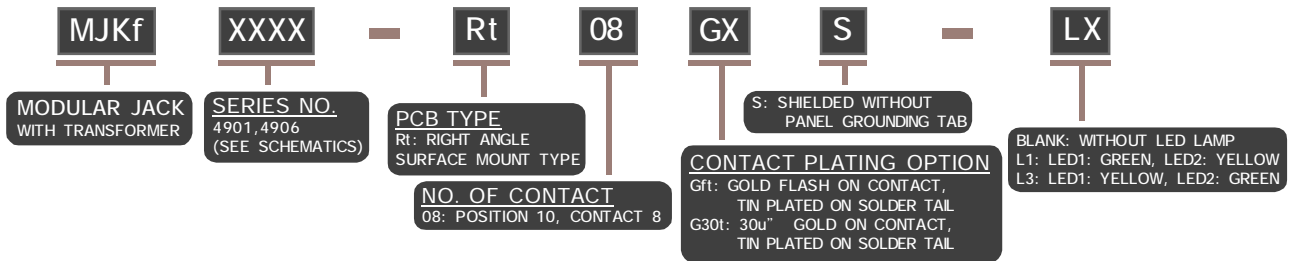
FEATURES

- .. RJ45 2xN, with internal magnetics
- .. Suitable for CAT 5 and 6 Fast Ethernet Cable or better UTP
- .. Internal magnetics are 100% electrically tested for HI-POT and functionality
- .. 350uH minimum OLC with 8mA bias current

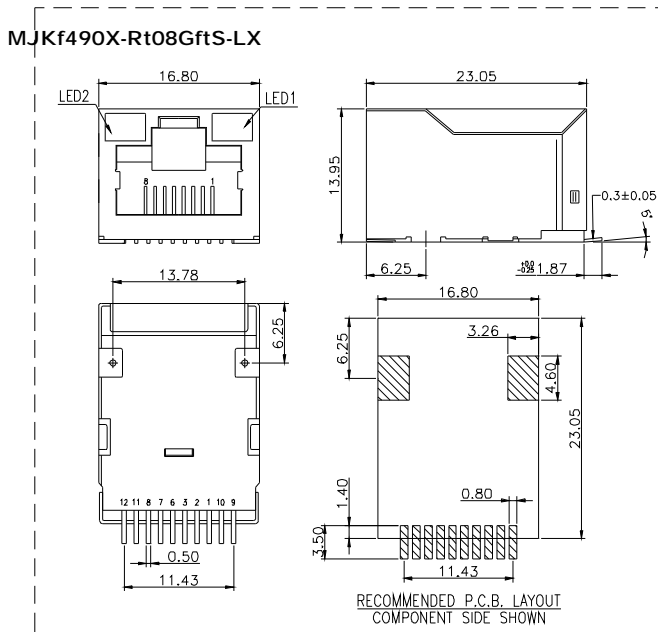
ELECTRICAL SPECIFICATIONS @25°C Operating Temperature 0°C TO +70°C

PART NO.	LEDs L/R	TURNS RATIO		Insertion Loss TX/RX (dB MAX.)		Return Loss @100Ω±15Ω (dB TYP)		Crosstalk (dB min)	Hipots (Vrms)
		TX	RX	1-80 MHz	1-100 MHz	1-60 MHz	60-100 MHz		
MJKf4901-Pa08GftS-L1	Y/G	1CT:1	1CT:1	-1.0	-1.2	-14	-10	-35	1500
MJKf4906-Pa08GftS-L3	G/Y	1CT:1	1CT:1	-1.0	-1.2	-14	-10	-40	1500

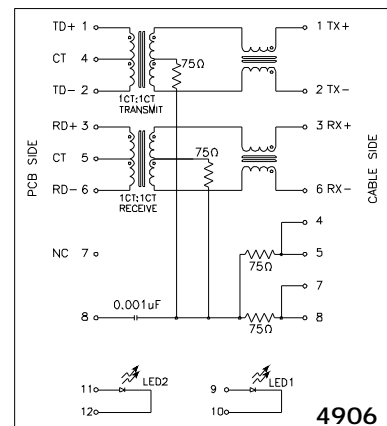
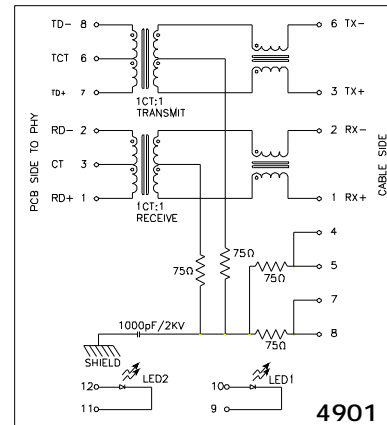
PART NO. INFORMATION



DIMENSION



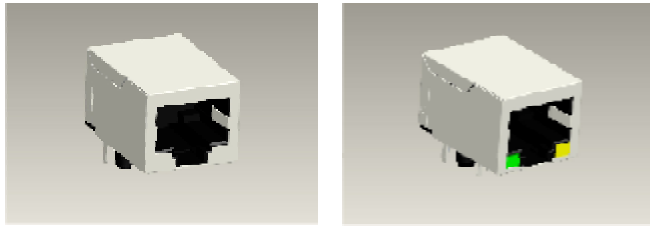
SCHEMATICS



NOTE : SOME SIZES, STYLES AND OPTION ARE NON-STANDARD, NON-CANCELLABLE, NON-RETURNABLE

121X / 1410 SERIES RJ45 10BASE-T JACK WITH MAGNETIC MODULES RIGHT ANGLE TYPE - Pa

1X1 Tab-DOWN



FEATURES

- .. RJ45 connector integrated with Filter
- .. Size same as RJ-45 connector to save PCB board space
- .. Reduce EMI radiation, Improve EMI performance
- .. Operating temperature range: 0°C to +70°C
- .. Storage temperature range: -40°C to +125°C

ELECTRICAL SPECIFICATIONS

@25°C Operating Temperature 0°C TO +70°C, Isolation Voltage: 1200Vrms

PART NO.	LEDs L/R	Insertion Loss (dB MAX)	Attenuation TX/RX (dB MIN)					Return Loss TX & RX (dB TYP)		Crosstalk (dB TYP)	Common Mode Rejection (dB TYP)	TURNS RATIO TX/RX (±5%)
			1-10MHz	20 MHz	25 MHz	30 MHz	40 MHz	1-10 MHz	5-10 MHz			
MJKf1410-Pa88GftS-D	NONE	-1.0	-7/-5	-18/-11	-28/-16	-33/-26	-	-13.5	-30	-30	1CT:1.41/1CT:1	
MJKf1211A-Pa88GftS-D	NONE	-1.0	-5/-4.2	-18/-11	-28/-16	-33/-26	-	-17 TYP	-30	-30	1CT:1CT/1CT:1CT	
MJKf1210-Pa88GftS-D	NONE	-1.0	-5/-4.2	-18/-11	-28/-16	-33/-26	-	-13.5	-30	-30	1CT:1CT/1CT:1CT	
MJKf1210A-Pa88GftS-D	NONE	-1.0	-5/-4.2	-18/-11	-28/-16	-33/-26	-	-15	-30	-30	1CT:1CT/1CT:1CT	
MJKf1212-Pa88GftS-D	NONE	-1.15	-5/-4.2	-18/-11	-28/-16	-33/-26	-13.5	-	-30	-30	1.2CT/1CT:1CT	
MJKf1212A-Pa88GftS-D	NONE	-1.15	-5/-4.2	-18/-11	-28/-16	-33/-26	-13.5	-	-30	-30	1CT:1.414CT/1CT:1CT	
MJKf1211-Pa88GftS-D	NONE	-1.15	-5/-4.2	-18/-11	-28/-16	-33/-26	-	-17 TYP	-30	-30	1.414:1CT/1CT:1CT	
MJKf1210-Pa88GftS-D-L3	G/Y	-1.0	-5/-4.3	-18/-11	-28/-16	-33/-26	-	-14	-30	-30	1CT:1CT/1CT:1CT	

PART NO. INFORMATION

MJKf **XXXX** **Pa** **88** **GX** **S** **D** **LX**

MODULAR JACK WITH TRANSFORMER **PCB TYPE Pa: RIGHT ANGLE TYPE** **SHIELDED WITHOUT PANEL GROUNDING TAB**

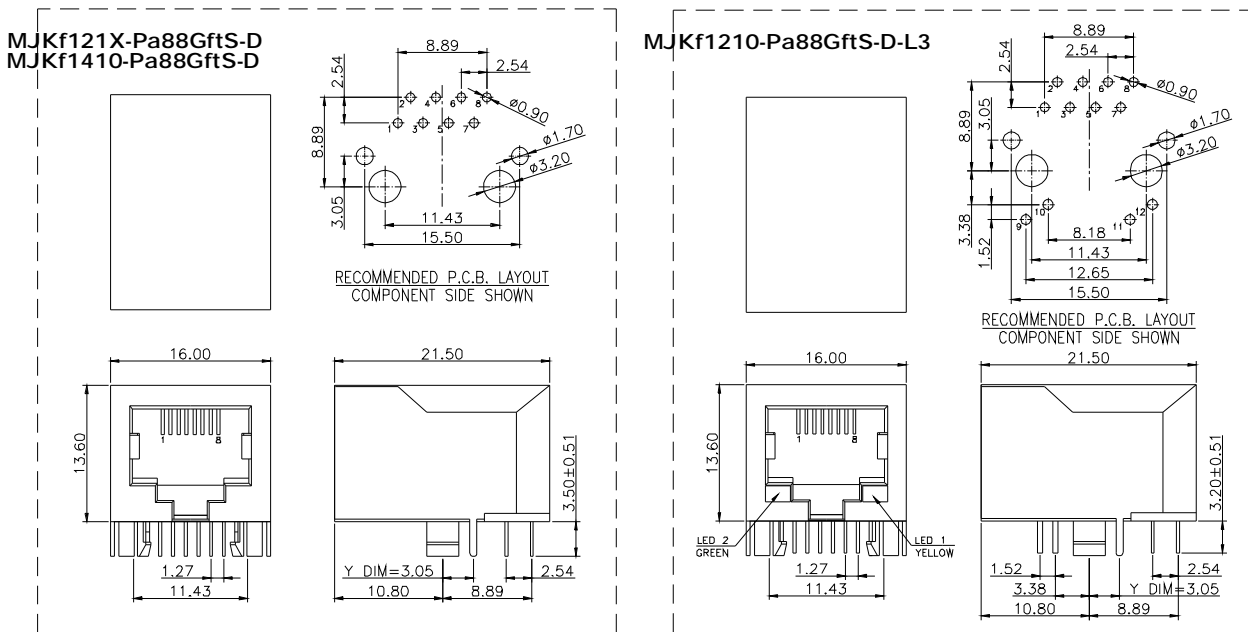
SERIES NO.
 1210, 1210A, 1211, 1211A, 1212, 1212A, 1410
 (SEE SCHEMATICS)

NO. OF CONTACT
 88: POSITION 8, CONTACT 8

CONTACT PLATING OPTION
 Gft: GOLD FLASH ON CONTACT, TIN PLATED ON SOLDER TAIL
 G30t: 30u" GOLD ON CONTACT, TIN PLATED ON SOLDER TAIL

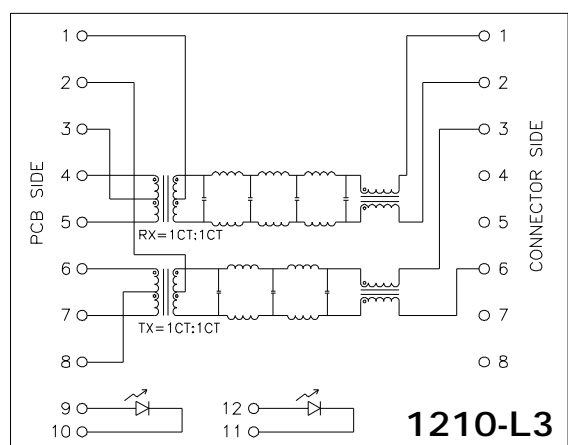
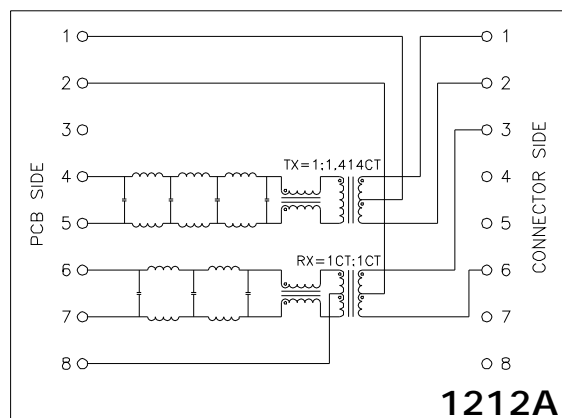
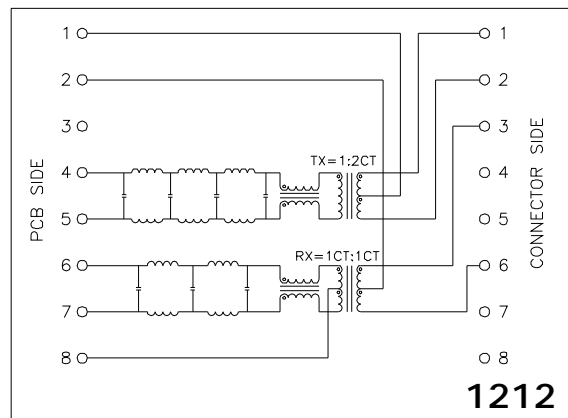
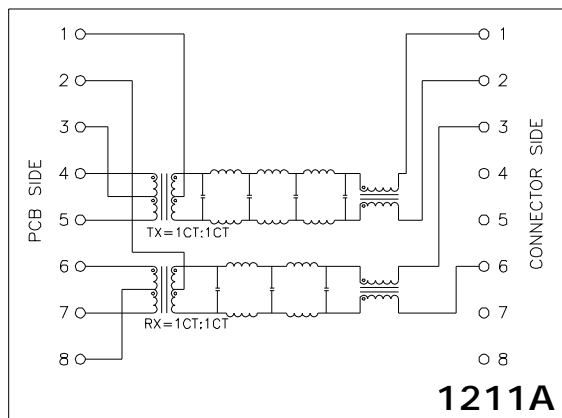
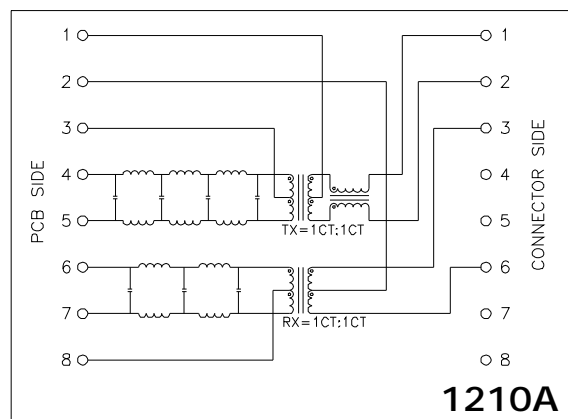
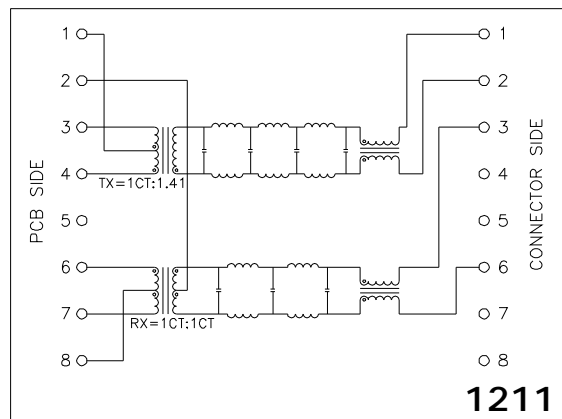
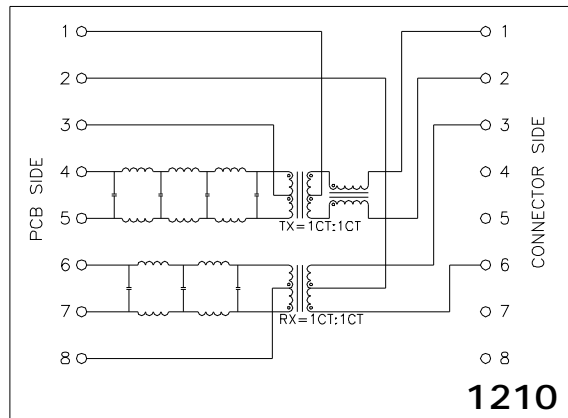
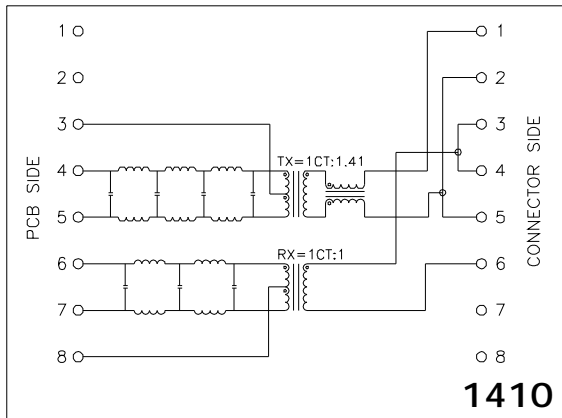
Y DIM=3.05mm, PLASTIC PEG IN THE FRONT **BLANK: WITHOUT LED LAMP**
L3: LED1: YELLOW, LED2: GREEN

DIMENSION



NOTE : SOME SIZES, STYLES AND OPTION ARE NON-STANDARD, NON-CANCELLABLE, NON-RETURNABLE

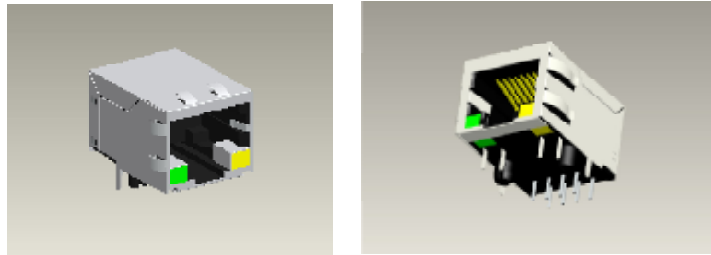
SCHEMATICS



NOTE : SOME SIZES, STYLES AND OPTION ARE NON-STANDARD, NON-CANCELLABLE, NON-RETURNABLE

136X SERIES RJ45 10/100BASE-T JACK WITH MAGNETIC MODULES RIGHT ANGLE TYPE - Pa

1X1 Tab-DOWN



FEATURES

- .. Magnetic designs to support every PHY
- .. Meet or exceed **IEEE 802.3** and **ANSI X3.263** standards
- .. including 350uH min **OCL** with 8mA bias
- .. Size same as **RJ-45** modular jack to save **PCB** board space

MATERIALS

- .. Housing Material: Glass filled Polyester UL94V-0
- .. Contact Material: Phosphor Bronze t = 0.35mm
- .. Plating: 1. Contact Area-Selective Gold Plating
2. Tails-150u" Tin-Lead Min Over 50u" Nickel
- .. Operation Life: 750 Cycles Min
- .. Pcb Retention Pre-Solder: 1 Lb Min
- .. Pcb Retention Post-Solder: 10 Lb Min

ELECTRICAL SPECIFICATIONS @25°C Operating Temperature 0°C TO +70°C

PART NO.	LEDs L/R	EMI Fingers	TURNS RATIO (±5%)		Insertion Loss (dB MAX.)	Return Loss (dB MIN@100Ω)					Crosstalk (dB min)			Common Mode Rejection (dB min)			Hipot (Vrms min)
			TX	RX		0.1-100 MHz	1-30 MHz	40 MHz	50 MHz	60-80 MHz	30 MHz	60 MHz	100 MHz	30 MHz	60 MHz	100 MHz	
MJKf1360-Pa88GftSb-D	NONE	YES	1CT:1CT	1CT:1CT	-1	-18	-16	-14	-12	-45	-40	-35	-35	-30	-25	1500	
MJKf1361-Pa88GftSb-D	NONE	YES	1CT:1CT	1CT:1CT	-1	-18	-16	-14	-12	-45	-40	-35	-35	-30	-25	1500	
MJKf1362-Pa88GftSb-D	NONE	YES	1CT:1	1CT:1CT	-1	-18	-16	-14	-12	-45	-40	-35	-35	-30	-25	1500	
MJKf1369-Pa88GftS-D-L3	G/Y	NO	1CT:1	1CT:1	-1	-18	-16	-12	-10	-40	-35	-30	-30	-20	-20	1500	
MJKf1369-Pa88GftSb-D	NONE	YES	1CT:1	1CT:1	-1	-18	-16	-12	-10	-40	-35	-30	-30	-20	-20	1500	
MJKf1369-Pa88GftSb-D-L3	G/Y	YES	1CT:1	1CT:1	-1	-18	-16	-12	-10	-40	-35	-30	-30	-20	-20	1500	
MJKf1364-Pa88GftS-D	NONE	NO	1CT:1CT	1CT:1CT	-1	-18	-16	-12	-10	-40	-35	-30	-30	-20	-20	1500	
MJKf1364-Pa88GftS-D-L3	G/Y	NO	1CT:1CT	1CT:1CT	-1	-18	-16	-12	-10	-40	-35	-30	-30	-20	-20	1500	
MJKf1364-Pa88GftSb-D	NONE	YES	1CT:1CT	1CT:1CT	-1	-18	-16	-12	-10	-40	-35	-30	-30	-20	-20	1500	
MJKf1364-Pa88GftSb-D-L3	G/Y	YES	1CT:1CT	1CT:1CT	-1	-18	-16	-12	-10	-40	-35	-30	-30	-20	-20	1500	
MJKf1364-Pa88GftSb-D-L2	G/G	YES	1CT:1CT	1CT:1CT	-1	-18	-16	-12	-10	-40	-35	-30	-30	-20	-20	1500	
MJKf1361-Pa88GftSb-D	NONE	YES	1CT:1CT	1CT:1CT	-1	-18	-16	-12	-10	-40	-35	-30	-30	-20	-20	1500	
MJKf1364A-Pa88GftSb-D	NONE	YES	1CT:1.414CT	1CT:1CT	-1	-18	-16	-12	-10	-40	-35	-30	-30	-20	-20	1500	
MJKf1364A-Pa88GftSb-D-L2	G/G	YES	1CT:1.414CT	1CT:1CT	-1	-18	-16	-12	-10	-40	-35	-30	-30	-20	-20	1500	
MJKf1362A-Pa88GftS-D	NONE	NO	1CT:1	1CT:1CT	-1	-18	-16	-12	-10	-40	-35	-30	-30	-20	-20	1500	
MJKf1362A-Pa88GftS-D-L3	G/Y	NO	1CT:1	1CT:1CT	-1	-18	-16	-12	-10	-40	-35	-30	-30	-20	-20	1500	
MJKf1362A-Pa88GftS-D-L2	G/G	NO	1CT:1	1CT:1CT	-1	-18	-16	-12	-10	-40	-35	-30	-30	-20	-20	1500	
MJKf1362A-Pa88GftSb-D	NONE	YES	1CT:1	1CT:1CT	-1	-18	-16	-12	-10	-40	-35	-30	-30	-20	-20	1500	
MJKf1362A-Pa88GftSb-D-L3	G/Y	YES	1CT:1	1CT:1CT	-1	-18	-16	-12	-10	-40	-35	-30	-30	-20	-20	1500	
MJKf1362A-Pa88GftSb-D-L2	G/G	YES	1CT:1	1CT:1CT	-1	-18	-16	-12	-10	-40	-35	-30	-30	-20	-20	1500	
MJKf1362A-Pa88GftSb-D-L11	Y/G	YES	1CT:1	1CT:1CT	-1	-18	-16	-12	-10	-40	-35	-30	-30	-20	-20	1500	
MJKf1362C-Pa88GftSb-D-L3	G/Y	YES	1CT:1	1CT:1CT	-1	-18	-16	-12	-10	-40	-35	-30	-30	-20	-20	1500	
MJKf1360C-Pa88GftSb-D	NONE	YES	1CT:1CT	1CT:1CT	-1	-18	-16	-12	-10	-40	-35	-30	-30	-20	-20	1500	
MJKf1360E-Pa88GftSb-D	NONE	YES	1CT:1.41CT	1CT:1.41CT	-1	-18	-16	-12	-10	-40	-35	-30	-30	-20	-20	1500	
MJKf1360V-Pa88GftSb-D-L3	G/Y	YES	1CT:1CT	1CT:1CT	-1	-18	-16	-12	-10	-40	-35	-30	-30	-20	-20	1500	
MJKf1361F-Pa88GftSb-D	NONE	YES	1CT:1CT	1CT:1CT	-1	-18	-16	-12	-10	-40	-35	-30	-30	-20	-20	1500	
MJKf1366-Pa88GftS-D-L1	Y/G	YES	1CT:1CT	1CT:1CT	-1	-18	-16	-12	-10	-40	-35	-30	-30	-20	-20	1500	

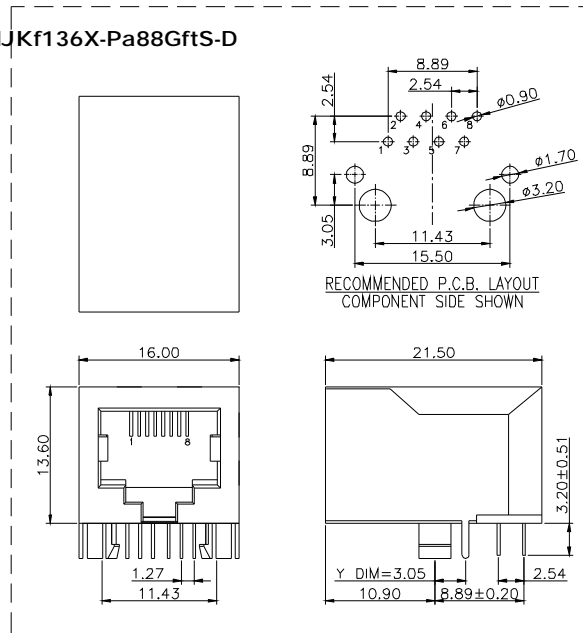
PART NO. INFORMATION

MJKf	XXXX	Pa	88	GX	SX	D	LX	X
MODULAR JACK WITH TRANSFORMER	PCB TYPE Pa: RIGHT ANGLE TYPE		SERIES NO. 1360, 1360C, 1360E, 1360V, 1361, 1361F, 1362, 1362A, 1362C, 1364, 1364A, 1366, 1369 (SEE SCHEMATICS)	NO. OF CONTACT 88: POSITION 8, CONTACT 8	S: SHIELDED WITHOUT PANEL GROUNDING TAB Sb: SHIELDED WITH PANEL GROUNDING TAB	Y DIM=3.05mm, PLASTIC PEG IN THE FRONT	BLANK: LED PINS ARE OBLIQUE P: LED PINS ARE PARALLEL	BLANK: WITHOUT LED LAMP L1: LED1: GREEN, LED2: YELLOW L2: LED1: GREEN, LED2: GREEN L3: LED1: YELLOW, LED2: GREEN L11: LED1: GREEN, LED2: BI-COLOR Y/G
CONTACT PLATING OPTION Gf: GOLD FLASH ON CONTACT, TIN PLATED ON SOLDER TAIL G30t: 30u" GOLD ON CONTACT, TIN PLATED ON SOLDER TAIL								

NOTE : SOME SIZES, STYLES AND OPTION ARE NON-STANDARD, NON-CANCELLABLE, NON-RETURNABLE

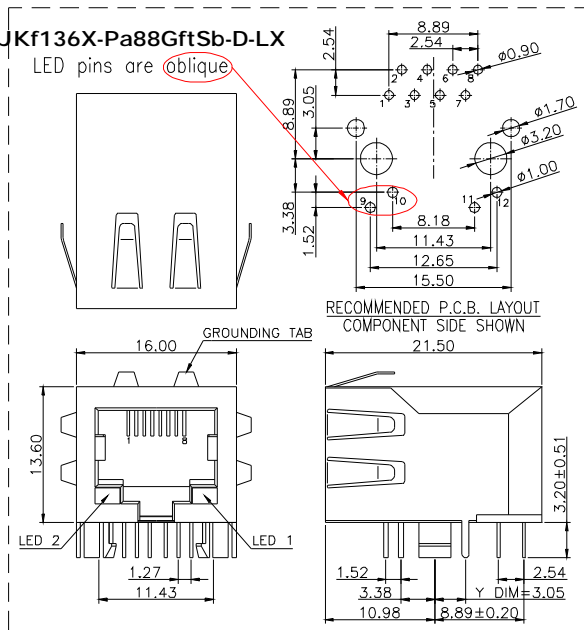
DIMENSION

MJKf136X-Pa88GftS-D



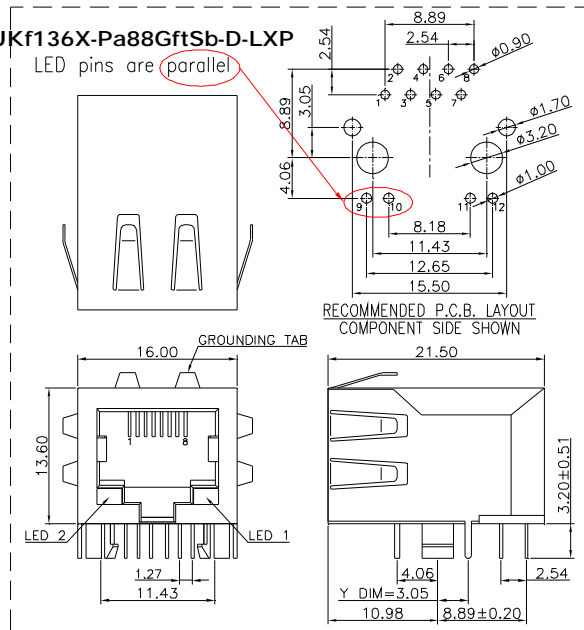
MJKf136X-Pa88GftSb-D-LX

LED pins are **oblique**



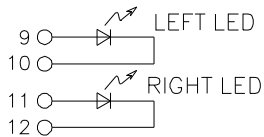
MJKf136X-Pa88GftSb-D-LXP

LED pins are **parallel**

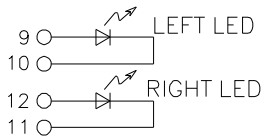


LED Configuration

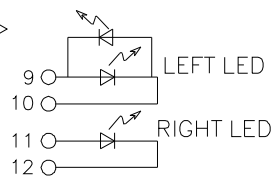
<1>



<2>



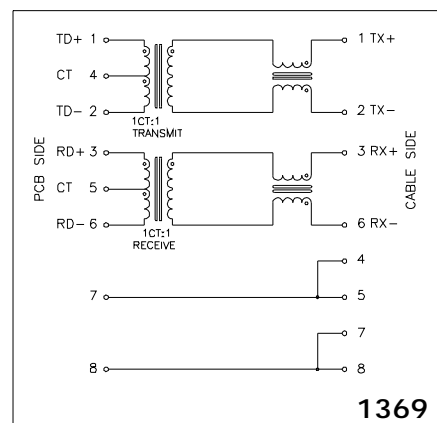
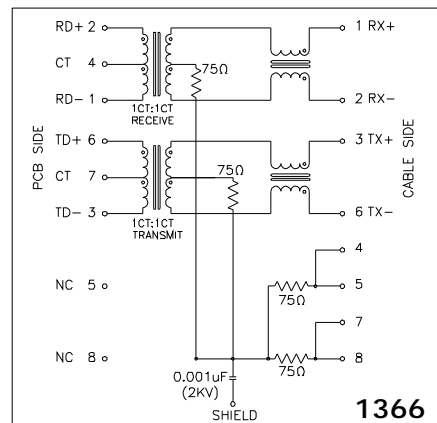
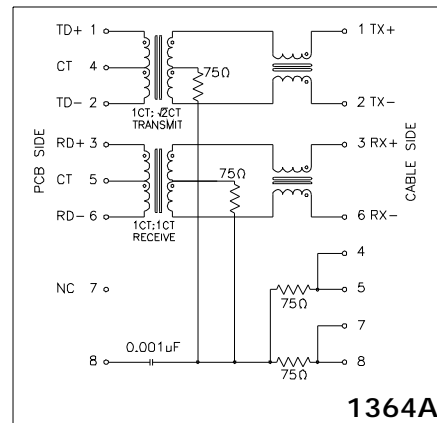
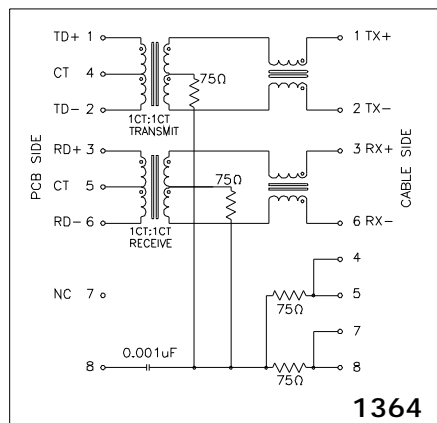
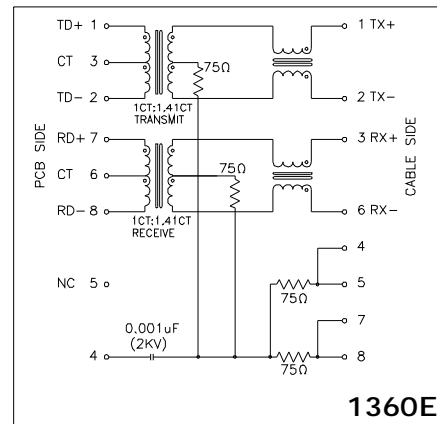
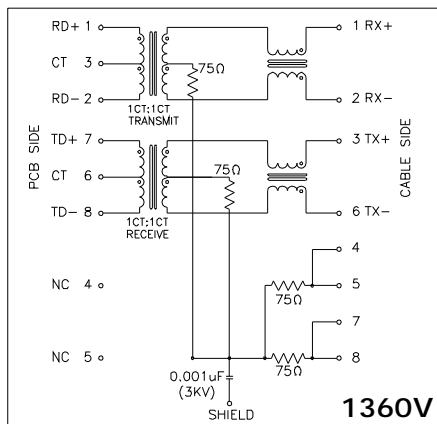
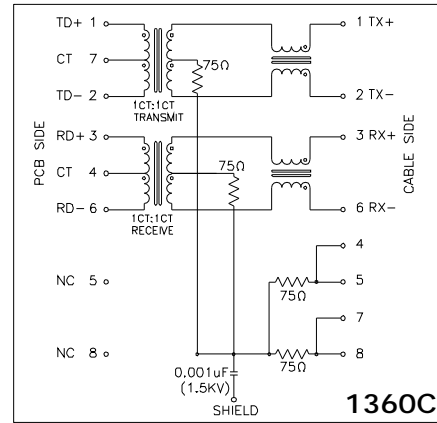
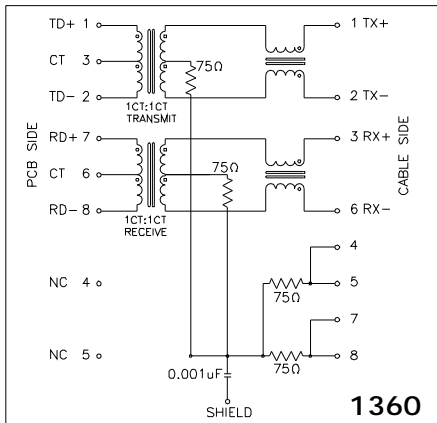
<3>



Vin = 2.1Vdc TYP. 2.5Vdc MAX.

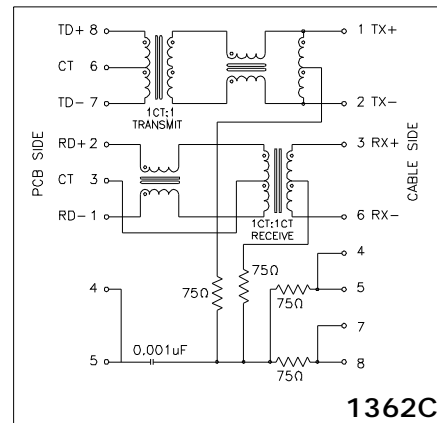
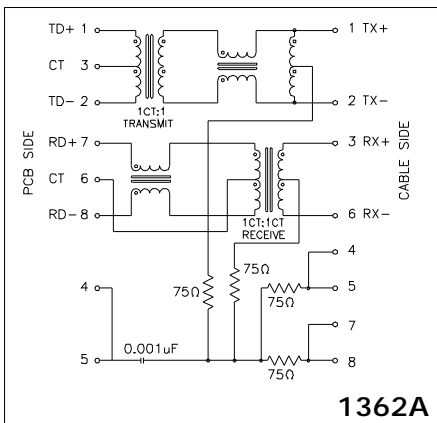
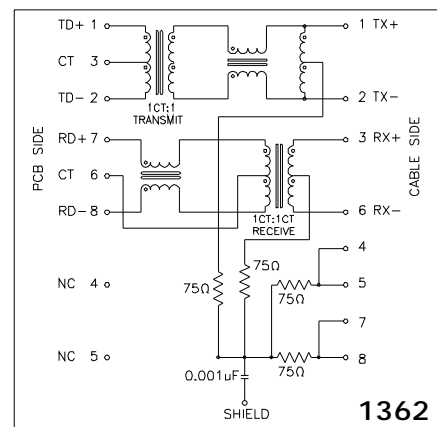
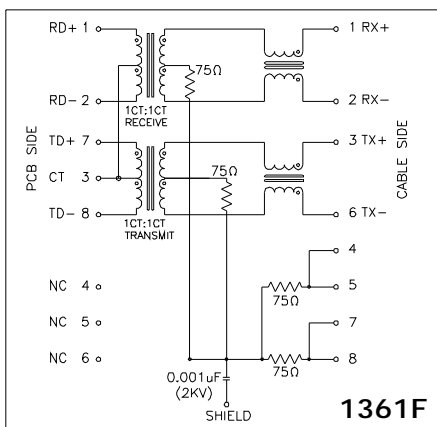
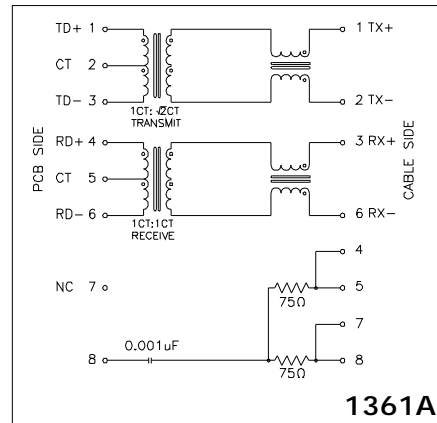
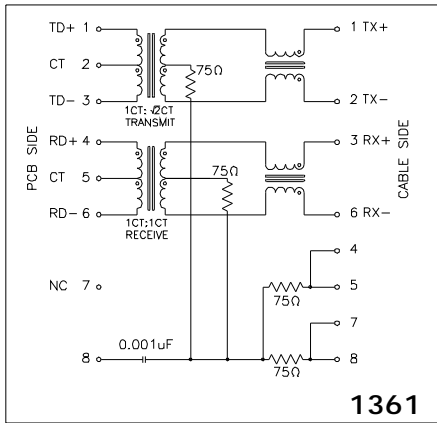
NOTE : SOME SIZES, STYLES AND OPTION ARE NON-STANDARD, NON-CANCELLABLE, NON-RETURNABLE

SCHEMATICS



NOTE : SOME SIZES, STYLES AND OPTION ARE NON-STANDARD, NON-CANCELLABLE, NON-RETURNABLE

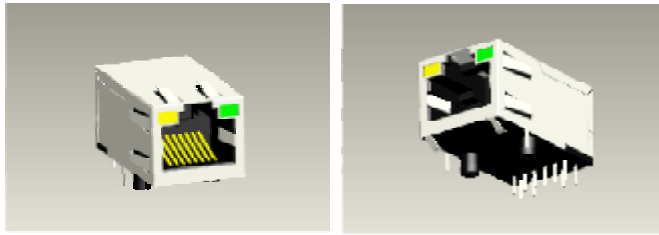
SCHEMATICS



NOTE : SOME SIZES, STYLES AND OPTION ARE NON-STANDARD, NON-CANCELLABLE, NON-RETURNABLE

47XX SERIES RJ45 10/100 BASE-T JACK WITH MAGNETIC MODULE RIGHT ANGLE TYPE - Pa

1X1 Tab-UP



FEATURES

- .. 1X1Tab-UP, 1" long RJ45 with internal magnetics
- .. 8 or 6-pin signal pin versions available
- .. Available with and without LEDs
- .. Suitable for CAT 5 & 6 Fast Ethernet Cable or better UTP
- .. Internal magnetics are 100% electrically tested for HI-POT and functionality
- .. 350uH minimum OCL with 8mA bias current

ELECTRICAL SPECIFICATIONS @25°C Operating Temperature 0°C TO +70°C

PART NO.	TURNS RATIO		LEDs L/R	Insertion Loss (dB TYP)	Return Loss (dB TYP)					Crosstalk (dB TYP)			Common Mode Rejection (dB TYP)	Hipot (Vrms min)
	TX	RX			1-65 MHz	1-10 MHz	10-30 MHz	30-60 MHz	60-80 MHz	1-30 MHz	30-60 MHz	60-100 MHz		
MJKf4701-Pa88GftSb-D	1CT	1CT	NONE	-1.0	-20	-16	-12	-10	-40	-35	-30	-30	-20	1500
MJKf4702-Pa88GftSb-D-L1	1CT	1CT	Y/G	-1.0	-20	-16	-12	-10	-40	-35	-30	-30	-20	1500
MJKf4703-Pa88GftSb-D	1CT	1CT	NONE	-1.0	-20	-16	-12	-10	-40	-35	-30	-30	-20	1500
MJKf4704-Pa88GftS-D-L3	1CT	1CT	Y/G	-1.0	-20	-16	-12	-10	-40	-35	-30	-30	-20	1500
MJKf4704-Pa88GftSb-D	1CT	1CT	NONE	-1.0	-20	-16	-12	-10	-40	-35	-30	-30	-20	1500
MJKf4705-Pa88GftS-D-L3	1CT	1CT	G/Y	-1.0	-20	-16	-12	-10	-40	-35	-30	-30	-20	1500
MJKf4705-Pa88GftSb-D-L3	1CT	1CT	G/Y	-1.0	-20	-16	-12	-10	-40	-35	-30	-30	-20	1500
MJKf4706-Pa88GftS-D-L1	1CT	1CT	G/Y	-1.0	-20	-16	-12	-10	-40	-35	-30	-30	-20	1500
MJKf4706-Pa88GftSb-D-L1	1CT	1CT	G/Y	-1.0	-20	-16	-12	-10	-40	-35	-30	-30	-20	1500
MJKf4706-Pa88GftSb-D-L2	1CT	1CT	G/G	-1.0	-20	-16	-12	-10	-40	-35	-30	-30	-20	1500
MJKf4707-Pa88GftS-D	1CT	1CT	NONE	-1.0	-20	-16	-12	-10	-40	-35	-30	-30	-20	1500
MJKf4707-Pa88GftSb-D-L3	1CT	1CT	G/Y	-1.0	-20	-16	-12	-10	-40	-35	-30	-30	-20	1500
MJKf4707-Pa88GftSb-D-L3	1CT	1CT	G/Y	-1.0	-20	-16	-12	-10	-40	-35	-30	-30	-20	1500
MJKf4711-Pa88GftSb-D-L13	1CT	1CT	G/OG	-1.0	-20	-16	-12	-10	-40	-35	-30	-30	-20	1500
MJKf4712-Pa88GftSb-D-L13	1CT	1CT	G/OG	-1.0	-20	-16	-12	-10	-40	-35	-30	-30	-20	1500
MJKf4713-Pa88GftSb-D-L13	1CT	1CT	G/OG	-1.0	-20	-16	-12	-10	-40	-35	-30	-30	-20	1500

PART NO. INFORMATION

MJKf **XXXX** **Pa** **88** **GX** **SX** **D** **LX**

MODULAR JACK WITH TRANSFORMER PCB TYPE Pa: RIGHT ANGLE TYPE Y DIM=3.05mm, PLASTIC PEG IN THE FRONT

S: SHIELDED WITHOUT PANEL GROUNDING TAB
Sb: SHIELDED WITH PANEL GROUNDING TAB

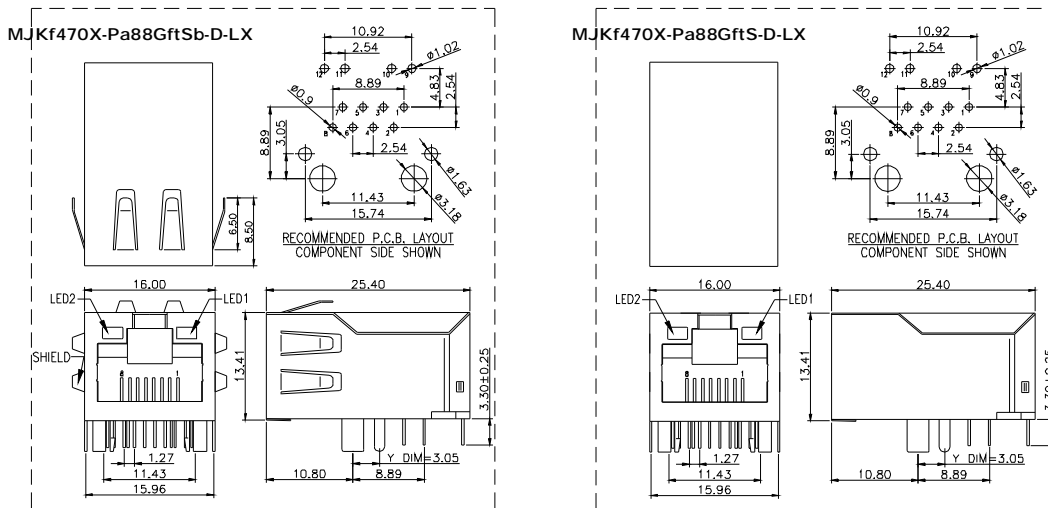
SERIES NO. 4701,4702,4703,4704,4705,4706,4707,4711,4712,4713 (SEE SCHEMATICS)

NO. OF CONTACT 88: POSITION 8, CONTACT 8

CONTACT PLATING OPTION Gft: GOLD FLASH ON CONTACT, TIN PLATED ON SOLDER TAIL G30t: 30u" GOLD ON CONTACT, TIN PLATED ON SOLDER TAIL

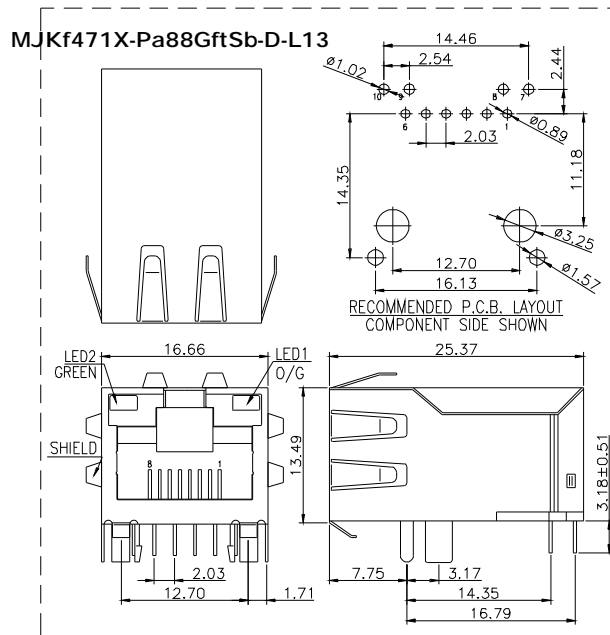
BLANK: WITHOUT LED LAMP L1: LED1: GREEN, LED2: YELLOW L2: LED1: GREEN, LED2: GREEN L3: LED1: YELLOW, LED2: GREEN L13: LED1: GREEN, LED2: BI-COLOR O/G

DIMENSION

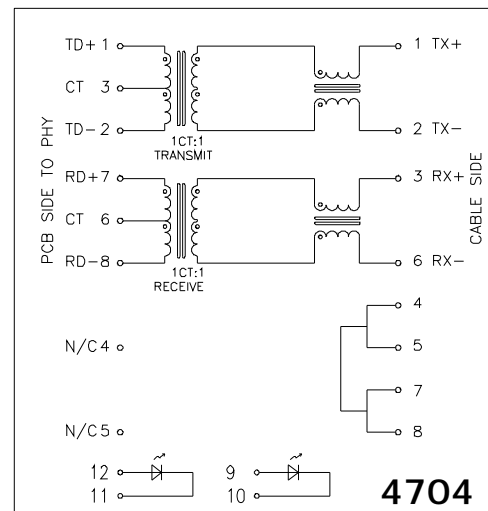
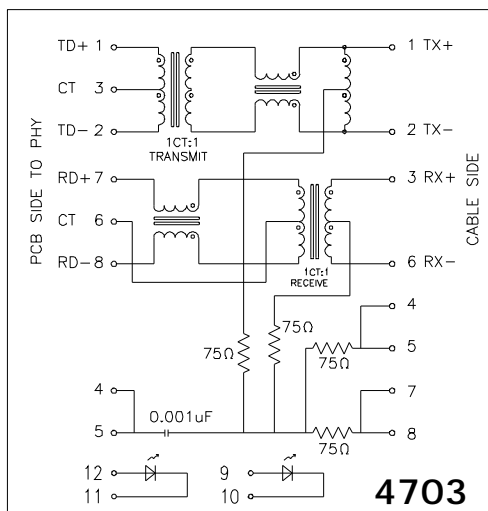
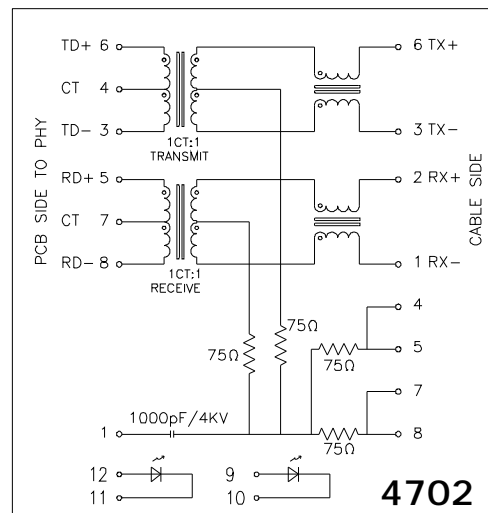
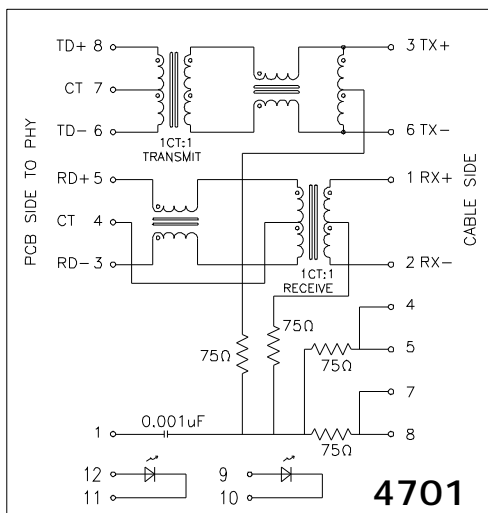


NOTE : SOME SIZES, STYLES AND OPTION ARE NON-STANDARD, NON-CANCELLABLE, NON-RETURNABLE

DIMENSION

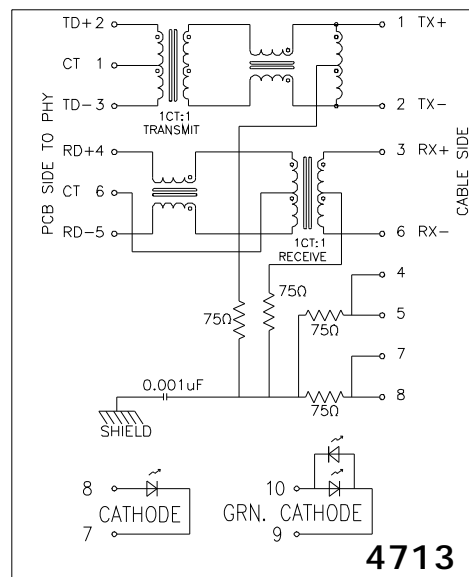
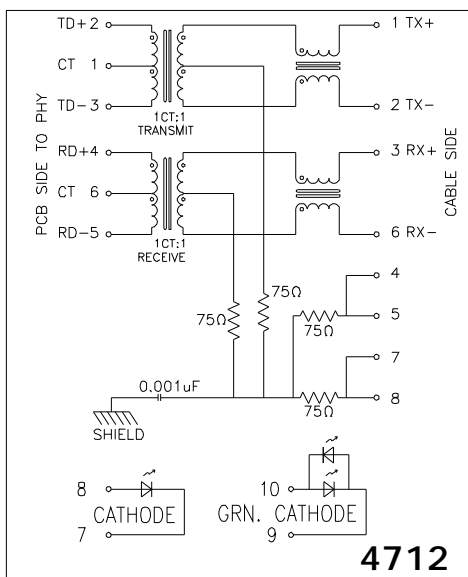
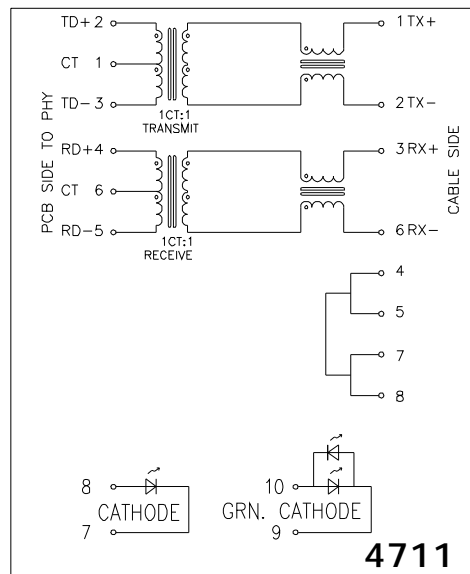
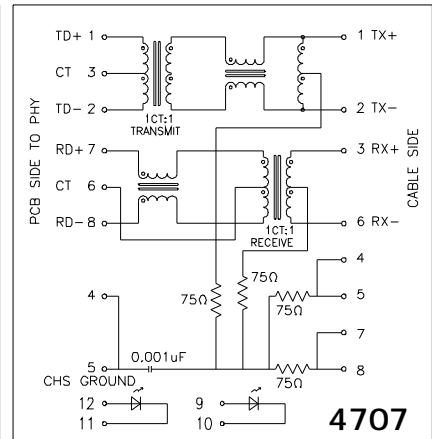
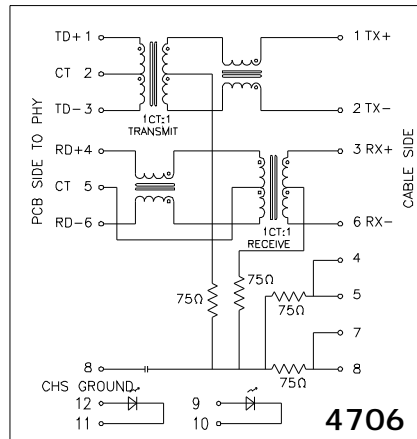
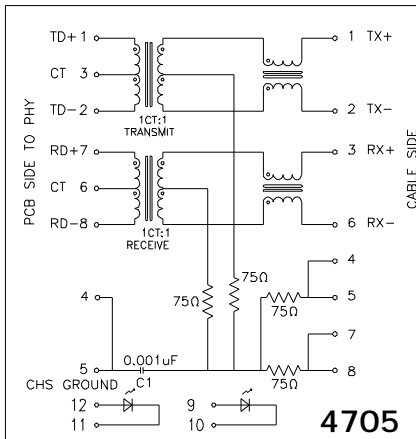


SCHEMATICS



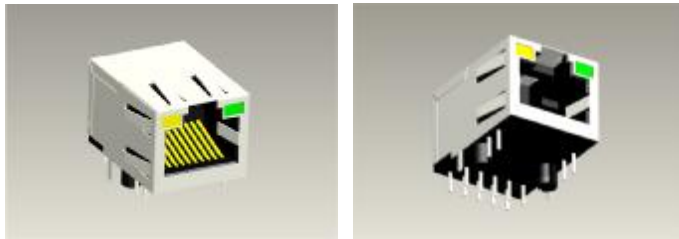
NOTE : SOME SIZES, STYLES AND OPTION ARE NON-STANDARD, NON-CANCELLABLE, NON-RETURNABLE

SCHEMATICS



NOTE : SOME SIZES, STYLES AND OPTION ARE NON-STANDARD, NON-CANCELLABLE, NON-RETURNABLE

1X1 Tab-UP



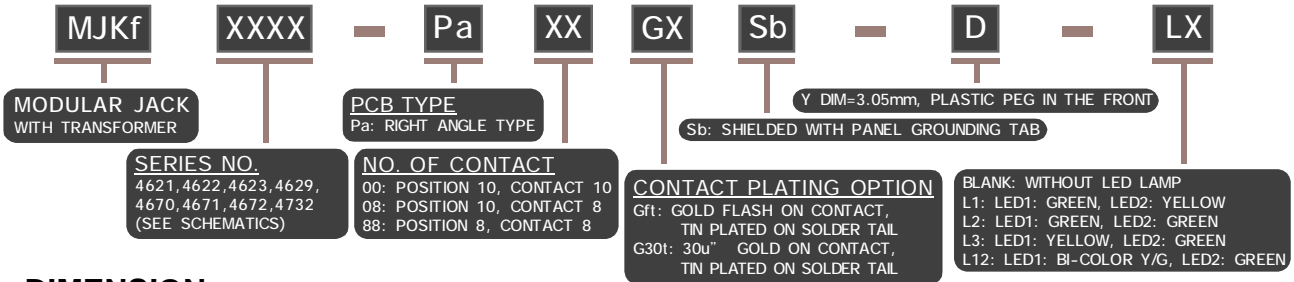
FEATURES

- .. 1X1Tab-UP, 0.85" & 1" long with internal magnetics for 10/100/1000 Base-TX
- .. 350uH minimum OCL with 8mA bias current
- .. Internal magnetics options available
- .. Minimum 150Vrms isolation

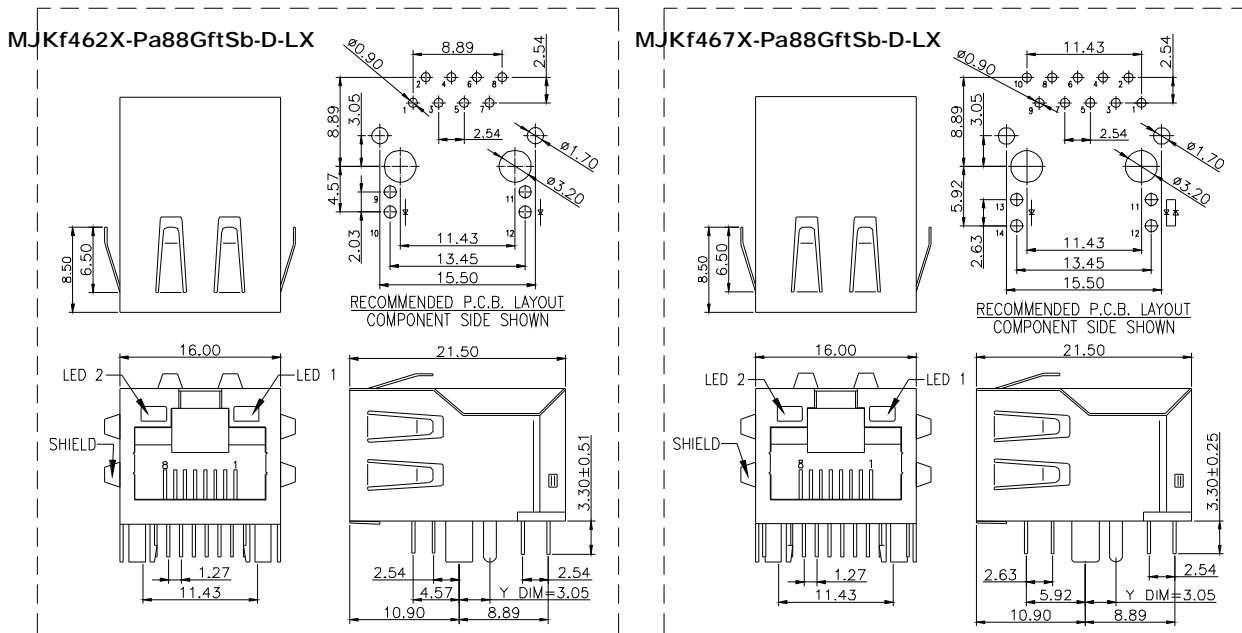
ELECTRICAL SPECIFICATIONS @25°C Operating Temperature 0°C TO +70°C

PART NO.	LEDs L/R	Insertion Loss (dB MAX.)	Return Loss (dB MIN@100Ω)				Differential to Common Mode Rejection (dB min)			Crosstalk (dB min)			Hipot (Vrms min)
			0.3-100 MHz	1-30 MHz	40 MHz	50 MHz	60-80 MHz	30 MHz	60 MHz	100 MHz	30 MHz	60 MHz	
MJKf4670-Pa88GftSb-D-L12	G/Y	-1.2	-16	-13.5	-11.5	-10	-35	-32	-30	-40	-36	-30	1500
MJKf4671-Pa88GftSb-D-L3	G/Y	-1.2	-16	-13.5	-11.5	-10	-35	-32	-30	-40	-36	-30	1500
MJKf4670-Pa88GftSb-D-L3	G/Y	-1.2	-16	-13.5	-11.5	-10	-35	-32	-30	-40	-36	-30	1500
MJKf4672-Pa88GftSb-D-L3	G/Y	-1.2	-16	-13.5	-11.5	-10	-35	-32	-30	-40	-36	-30	1500
MJKf4732-Pa88GftSb-D-L1	G/Y	-1.1	-15	-15	-15	-12	-35	-32	-30	-35	-26	-24	1500
MJKf4621-Pa88GftSb-D-L1	Y/G	-1.2	-14	-14	-14	-10	-35	-32	-30	-40	-36	-30	1500
MJKf4622-Pa88GftSb-D-L1	Y/G	-1.2	-14	-14	-14	-10	-35	-32	-30	-40	-36	-30	1500
MJKf4623-Pa88GftSb-D-L2	G/G	-1.2	-14	-14	-14	-10	-35	-32	-30	-40	-36	-30	1500
MJKf4629-Pa88GftSb-D-L3	G/Y	-1.0	-20	-15	-15	-11	-30	-30	-30	-30	-30	-30	1500

PART NO. INFORMATION

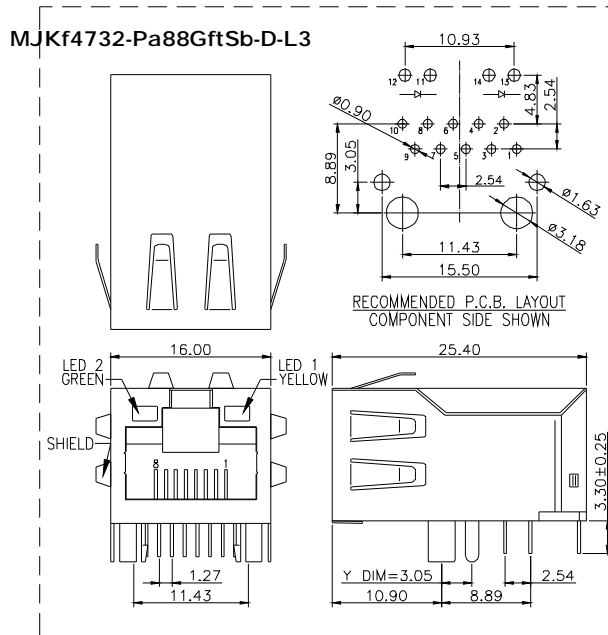


DIMENSION

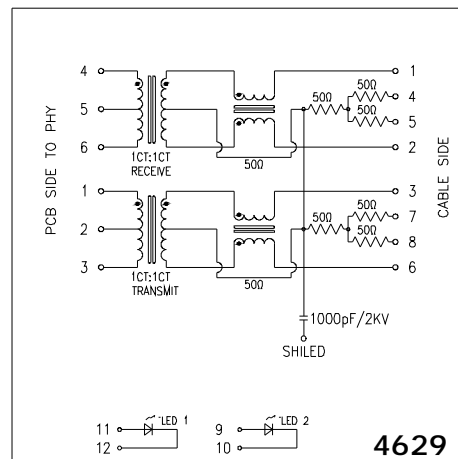
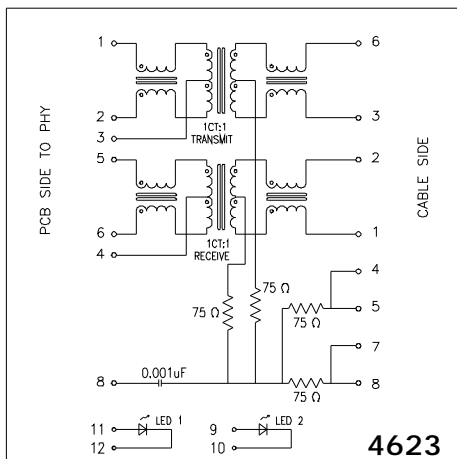
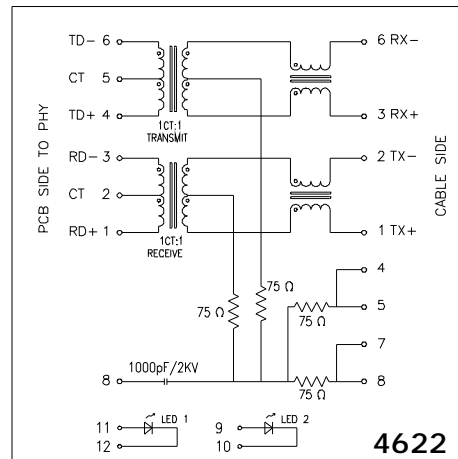
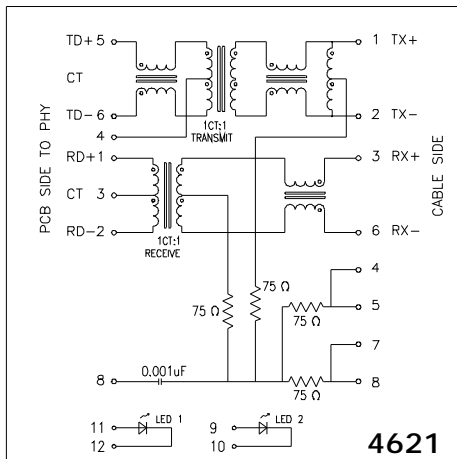


NOTE : SOME SIZES, STYLES AND OPTION ARE NON-STANDARD, NON-CANCELLABLE, NON-RETURNABLE

DIMENSION

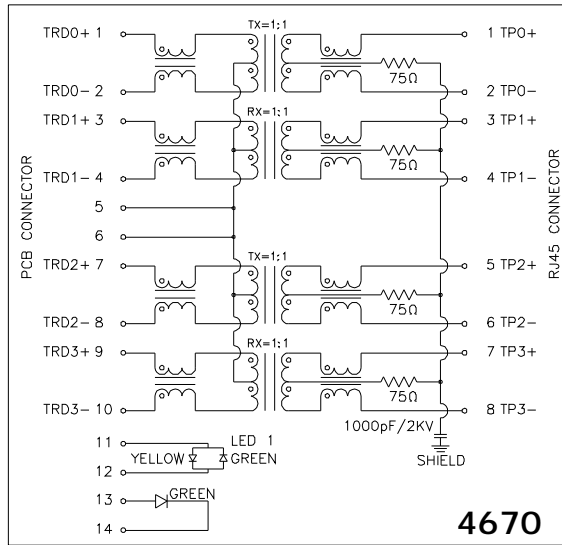


SCHEMATICS

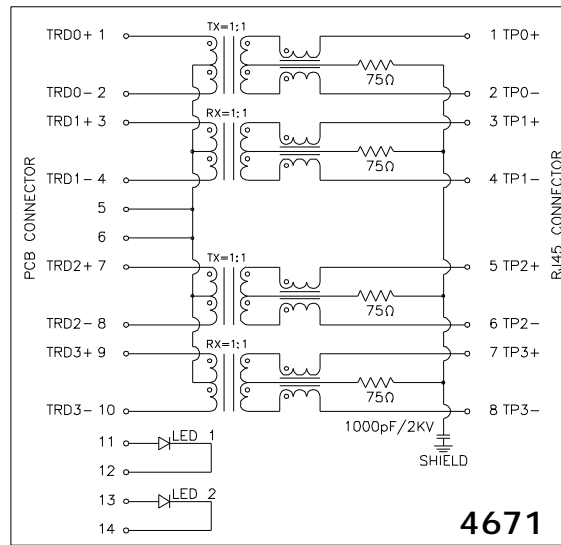


NOTE : SOME SIZES, STYLES AND OPTION ARE NON-STANDARD, NON-CANCELLABLE, NON-RETURNABLE

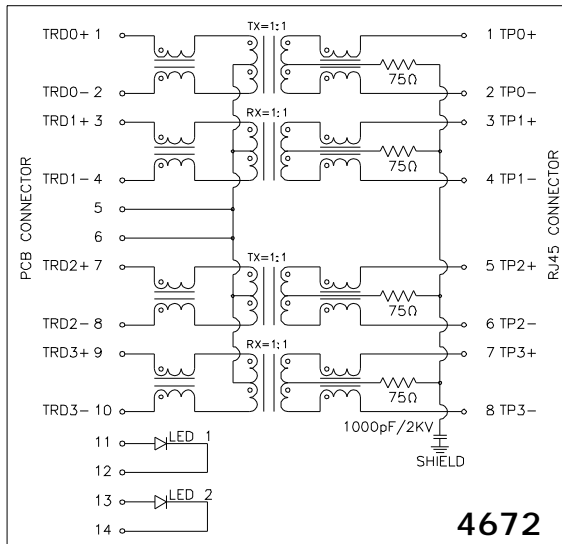
SCHEMATICS



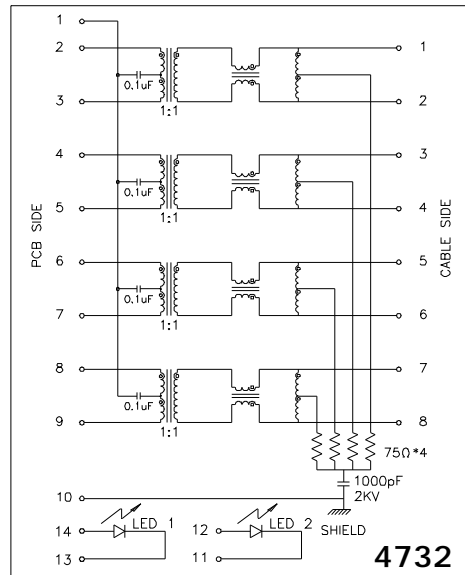
4670



4671



4672

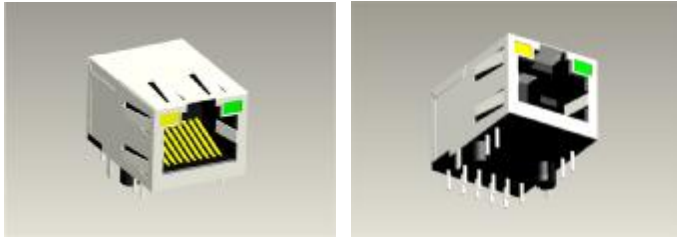


4732

NOTE : SOME SIZES, STYLES AND OPTION ARE NON-STANDARD, NON-CANCELLABLE, NON-RETURNABLE

480X SERIES THROUGH HOLE RJ45 JACK WITH GIGABIT MAGNETIC RIGHT ANGLE TYPE - Pa

1X1 Tab-DOWN



FEATURES

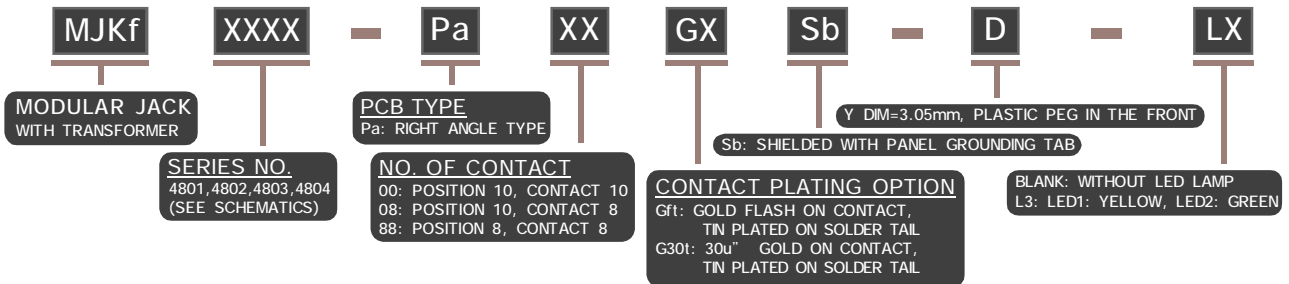
- .. Single port Tab-Down with internal magnetics for 1000 Base-TX
- .. 350uH minimum OLC with 8mA bias current
- .. Internal magnetics options available
- .. Minimum 1500Vrms isolation

ELECTRICAL SPECIFICATIONS

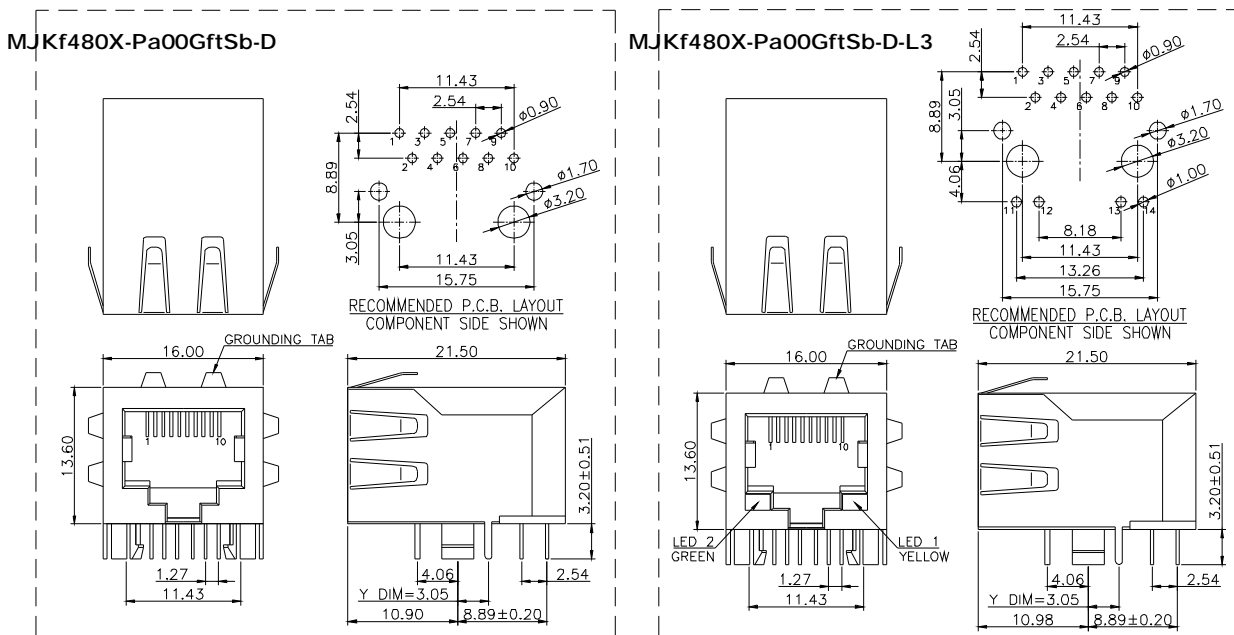
@25°C Operating Temperature 0°C TO +70°C, Isolation Voltage: 1200Vrms

PART NO.	LEDs L/R	Insertion Loss (dB MAX)	Return Loss (dB MIN @100Ω)				Differential To Common Mode Rejection (dB MIN)			Crosstalk (dB MIN)			Hipot (Vrms min)
			0.3-100 MHz	1-30 MHz	40 MHz	50 MHz	60-80 MHz	30 MHz	60 MHz	100 MHz	30 MHz	60 MHz	
MJKf4801-Pa88GftSb-D-L3	G/Y	-1.2	-16	-13.5	-11.5	-10	-35	-32	-30	-40	-36	-30	1500
MJKf4802-Pa88GftSb-D-L3	G/Y	-1.2	-16	-13.5	-11.5	-10	-35	-32	-30	-40	-36	-30	1500
MJKf4803-Pa88GftSb-D-L3	G/Y	-1.2	-16	-13.5	-11.5	-10	-35	-32	-30	-40	-36	-30	1500
MJKf4804-Pa88GftSb-D-L3	G/Y	-1.2	-16	-13.5	-11.5	-10	-35	-32	-30	-40	-36	-30	1500
MJKf4801-Pa88GftSb-D	NONE	-1.2	-16	-13.5	-11.5	-10	-35	-32	-30	-40	-36	-30	1500
MJKf4802-Pa88GftSb-D	NONE	-1.2	-16	-13.5	-11.5	-10	-35	-32	-30	-40	-36	-30	1500
MJKf4803-Pa88GftSb-D	NONE	-1.2	-16	-13.5	-11.5	-10	-35	-32	-30	-40	-36	-30	1500
MJKf4804-Pa88GftSb-D	NONE	-1.2	-16	-13.5	-11.5	-10	-35	-32	-30	-40	-36	-30	1500

PART NO. INFORMATION

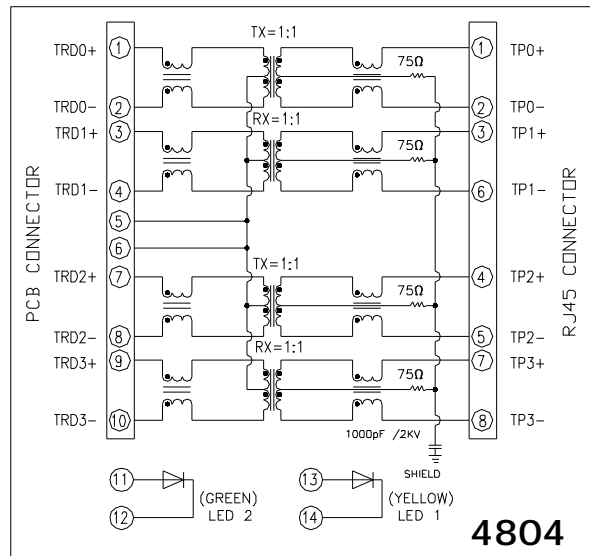
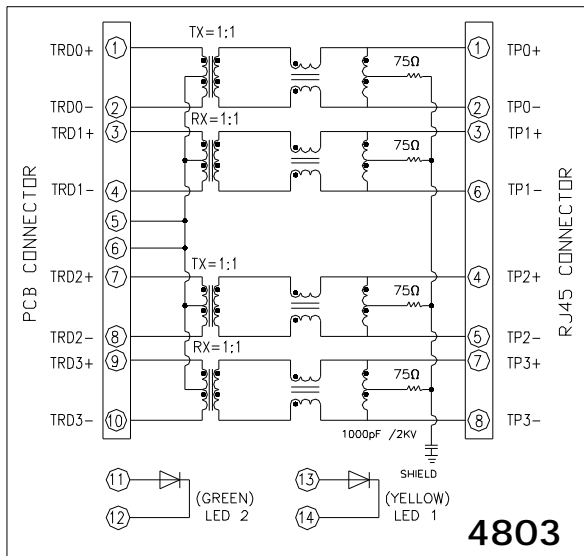
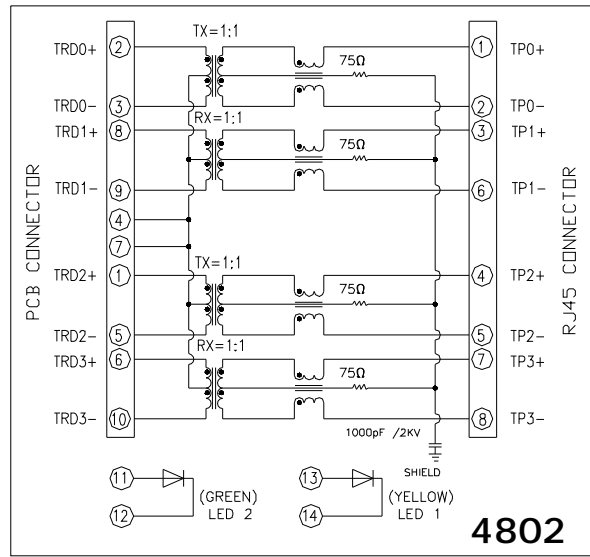
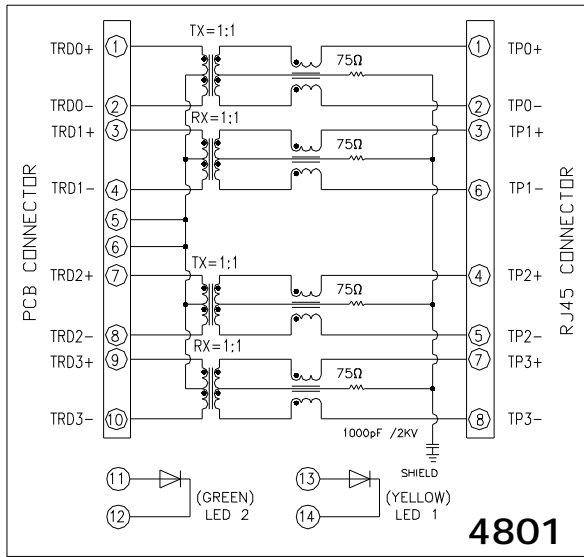


DIMENSION



NOTE : SOME SIZES, STYLES AND OPTION ARE NON-STANDARD, NON-CANCELLABLE, NON-RETURNABLE

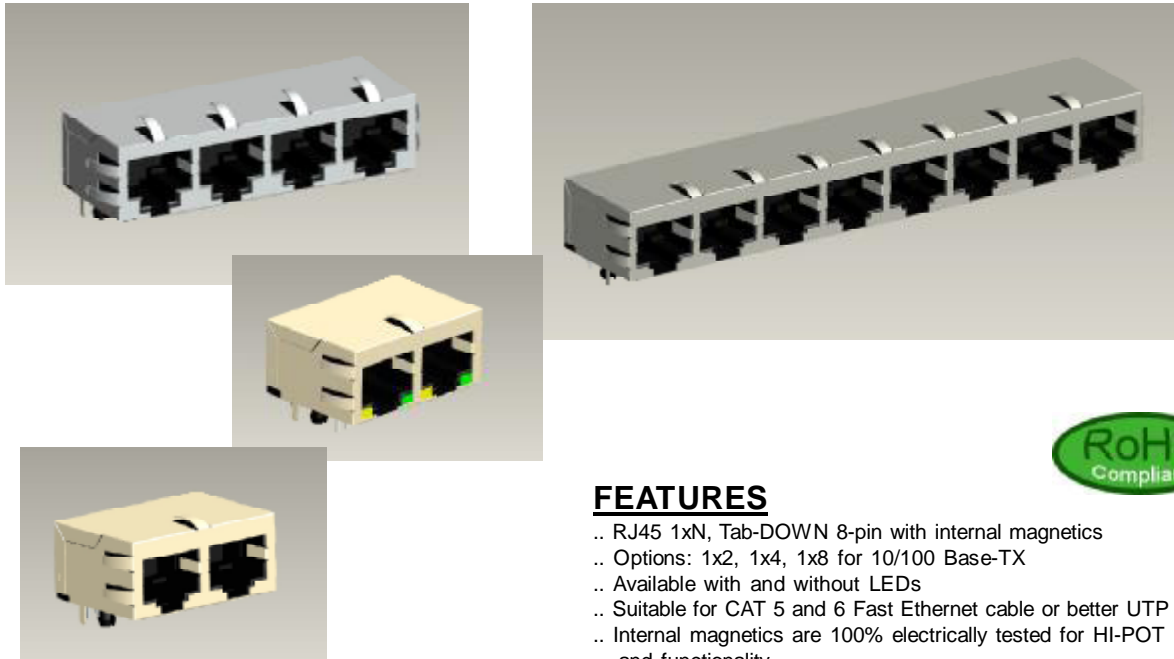
SCHEMATICS



NOTE : SOME SIZES, STYLES AND OPTION ARE NON-STANDARD, NON-CANCELLABLE, NON-RETURNABLE

6XXX SERIES RJ45 1xN 10/100 BASE-T WITH MAGNETIC MODULE RIGHT ANGLE TYPE - Pa

1XN Tab-DOWN



FEATURES

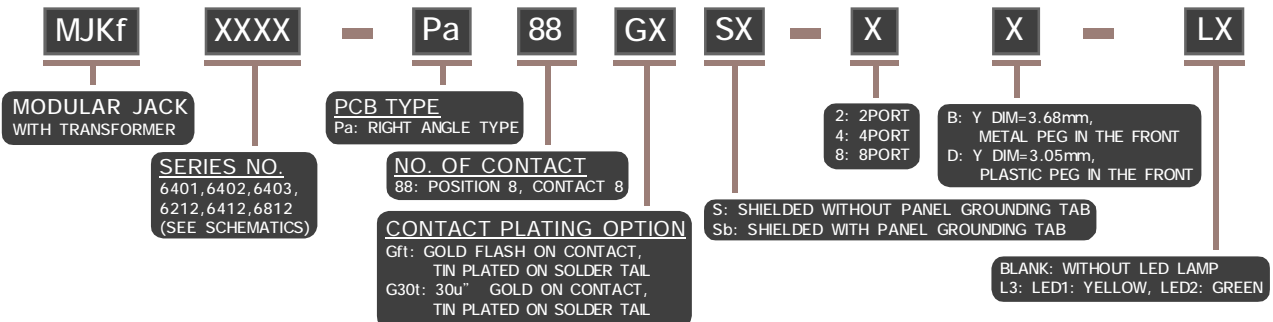
- .. RJ45 1xN, Tab-DOWN 8-pin with internal magnetics
- .. Options: 1x2, 1x4, 1x8 for 10/100 Base-TX
- .. Available with and without LEDs
- .. Suitable for CAT 5 and 6 Fast Ethernet cable or better UTP
- .. Internal magnetics are 100% electrically tested for HI-POT and functionality
- .. 350uH minimum OLC with 8mA bias current
- .. Minimum 1500Vrms isolation per IEEE 802.3 requirement

ELECTRICAL SPECIFICATIONS

@25°C Operating Temperature 0°C TO +70°C, Isolation Voltage: 1200Vrms

PART NO.	LEDs L/R	TURNS RATIO (±5%)		Insertion Loss (dB MAX.)	Return Loss (dB MIN@100Ω)			Crosstalk (dB min)			Common Mode Rejection (dB min)		Hipot (Vrms min)
		TX	RX		0.1-100 MHz	1-10 MHz	30 MHz	60-80 MHz	1-10 MHz	30-60 MHz	60-100 MHz	1-50 MHz	
MJKf6401-Pa88GftSb-4D	NONE	1CT:1CT	1CT:1CT	-1.2	-18	-16	-12	-40	-35	-30	-30	-20	1500
MJKf6402-Pa88GftSb-4D	NONE	1CT:1CT	1CT:1CT	-1.2	-18	-16	-12	-30	-30	-30	-30	-20	1500
MJKf6403-Pa88GftSb-4D	NONE	1CT:1CT	1CT:1CT	-1.2	-18	-16	-12	-40	-35	-30	-30	-20	1500
MJKf6212-Pa88GftSb-2D-L3	G/Y	1CT:1CT	1CT:1CT	-1.2	-18	-16	-12	-40	-35	-30	-30	-20	1500
MJKf6412-Pa88GftSb-4D-L3	G/Y	1CT:1CT	1CT:1CT	-1.2	-18	-16	-12	-40	-35	-30	-30	-20	1500
MJKf6212-Pa88GftSb-2D	NONE	1CT:1CT	1CT:1CT	-1.2	-18	-16	-12	-40	-35	-30	-30	-20	1500
MJKf6412-Pa88GftSb-4D	NONE	1CT:1CT	1CT:1CT	-1.2	-18	-16	-12	-40	-35	-30	-30	-20	1500
MJKf6812-Pa88GftSb-8B	NONE	1CT:1CT	1CT:1CT	-1.2	-18	-16	-12	-40	-35	-30	-30	-20	1500

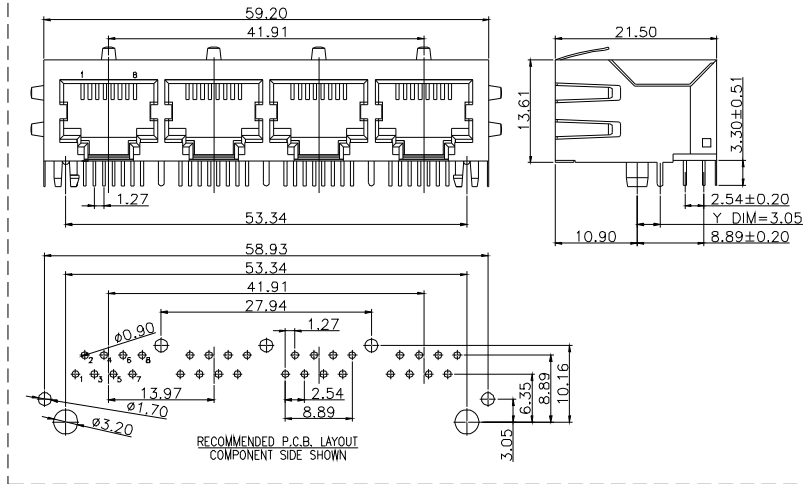
PART NO. INFORMATION



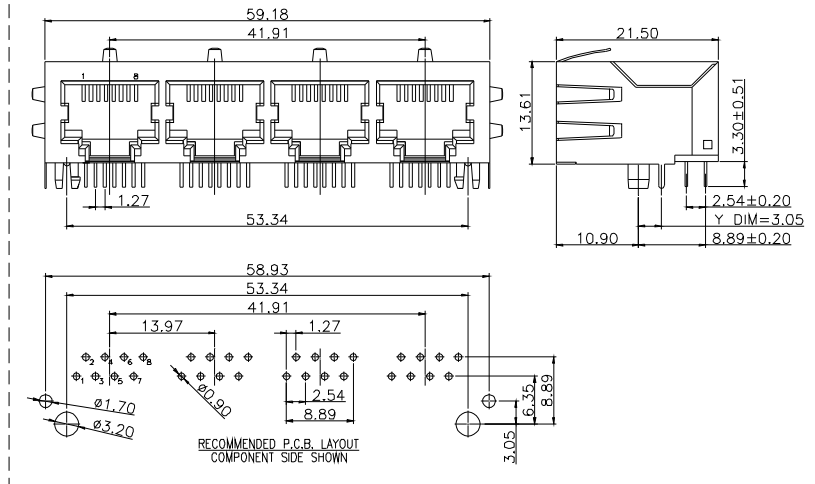
NOTE : SOME SIZES, STYLES AND OPTION ARE NON-STANDARD, NON-CANCELLABLE, NON-RETURNABLE

DIMENSION

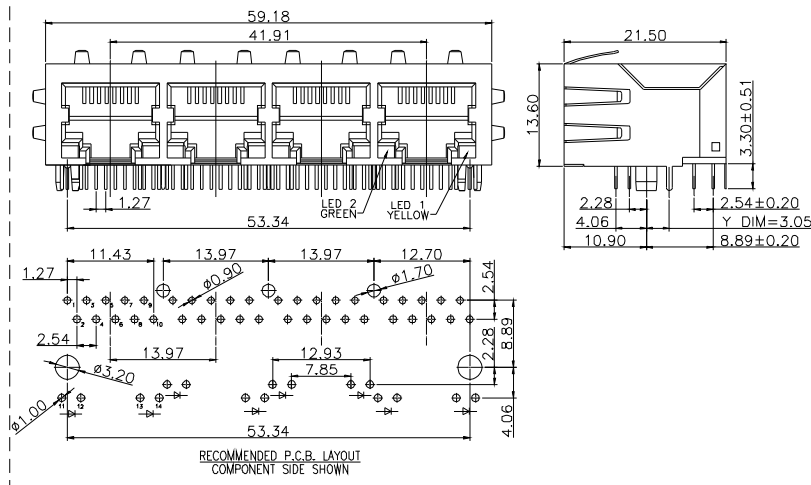
MJKf6403-Pa88GftSb-4D



MJKf6412-Pa88GftSb-4D

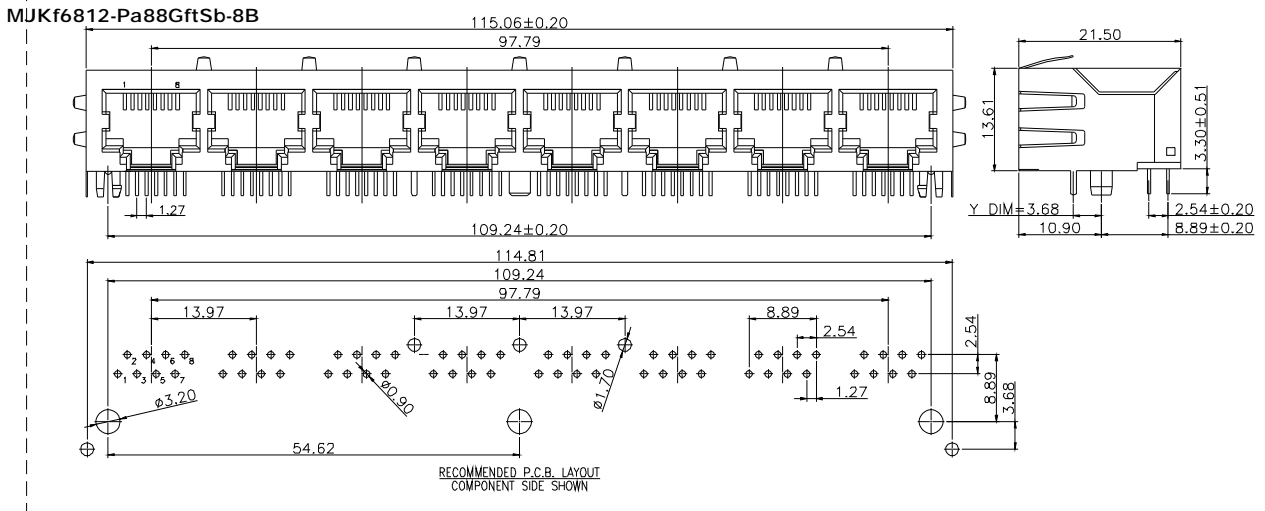


MJKf6412-Pa88GftSb-4D-L3

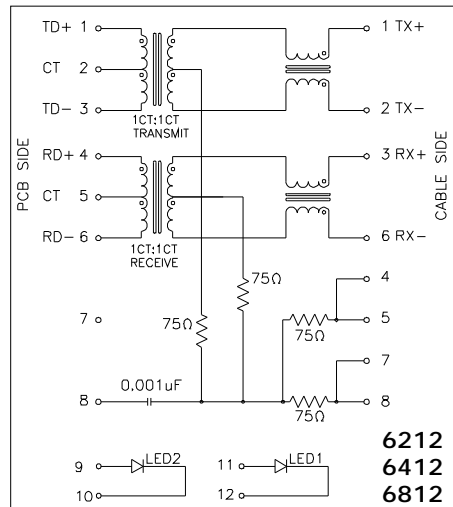
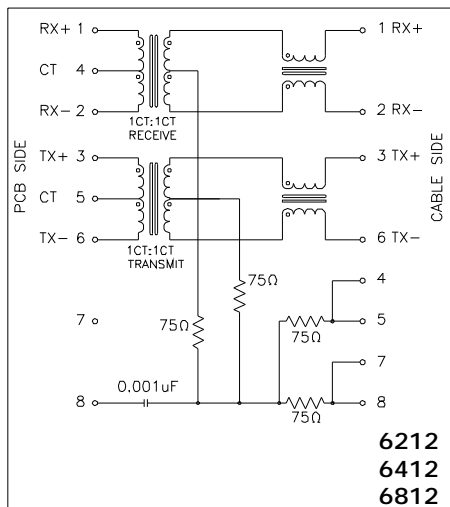
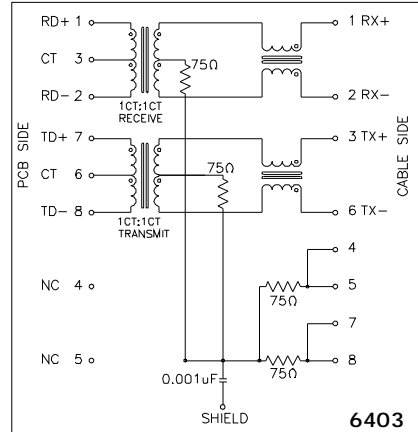
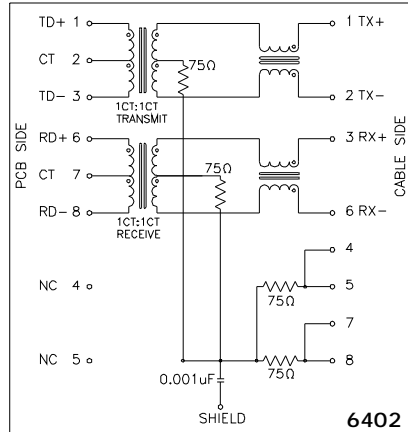
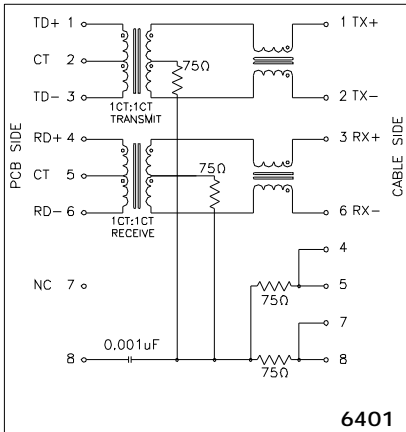


NOTE : SOME SIZES, STYLES AND OPTION ARE NON-STANDARD, NON-CANCELLABLE, NON-RETURNABLE

DIMENSION



SCHEMATICS

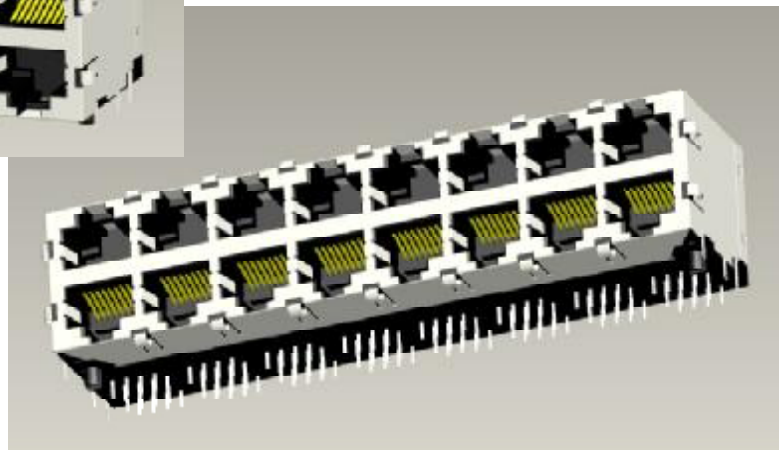
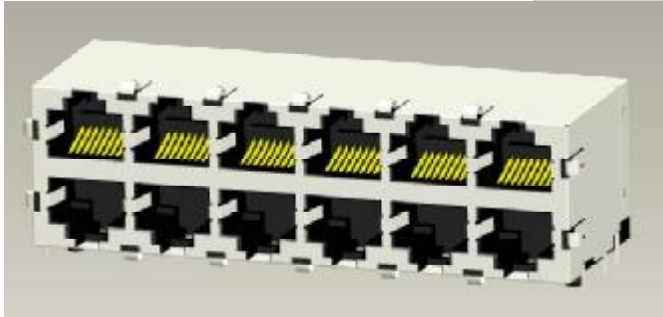
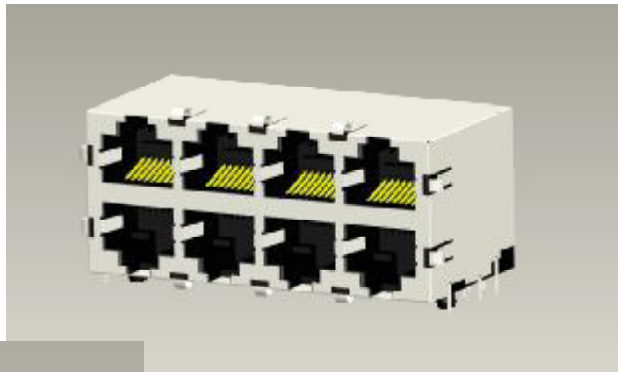
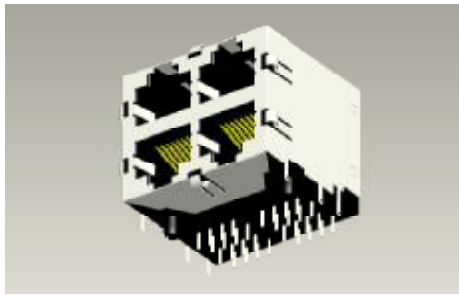


WITH LED

NOTE : SOME SIZES, STYLES AND OPTION ARE NON-STANDARD, NON-CANCELLABLE, NON-RETURNABLE

7X0X SERIES RJ45 2xN 10/100 BASE-TX JACK WITH MAGNETIC MODULE RIGHT ANGLE TYPE - Pa

2 X N



FEATURES

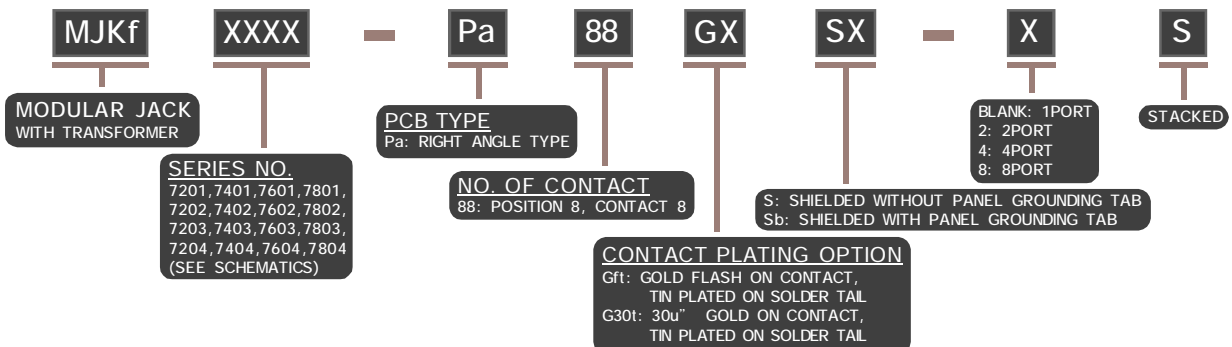
- .. RJ45 2xN, with internal magnetics
- .. Suitable for CAT 5 and 6 Fast Ethernet Cable or better UTP
- .. Internal magnetics are 100% electrically tested for HI-POT and functionality
- .. 350uH minimum OLC with 8mA bias current

ELECTRICAL SPECIFICATIONS

@25°C Operating Temperature 0°C TO +70°C, Isolation Voltage: 1200Vrms

PART NO.	TURNS RATIO		Insertion Loss (dB MAX.)		Return Loss (dB MIN@101Ω)		Crosstalk (dB min)	Common Mode Rejection (dB TYP)	Hipot (Vrms min)
	TX	RX	1-80 MHz	100 MHz	1-60 MHz	60-100 MHz	1-100 MHz	1-100 MHz	@60Hz 1 min
MJKf7X01-Pa88GftSb-XS	1CT:1CT	1CT:1CT	-1.0	-1.2	-16	-12	-35	-30	1500
MJKf7X02-Pa88GftSb-XS	1CT:1CT	1CT:1CT	-1.0	-1.2	-14	-10	-35	-30	1500
MJKf7X03-Pa88GftSb-XS	1CT:1CT	1CT:1CT	-1.0	-1.2	-14	-10	-35	-30	1500
MJKf7X04-Pa88GftSb-XS	1CT:1CT	1CT:1CT	-1.0	-1.2	-14	-10	-35	-30	1500

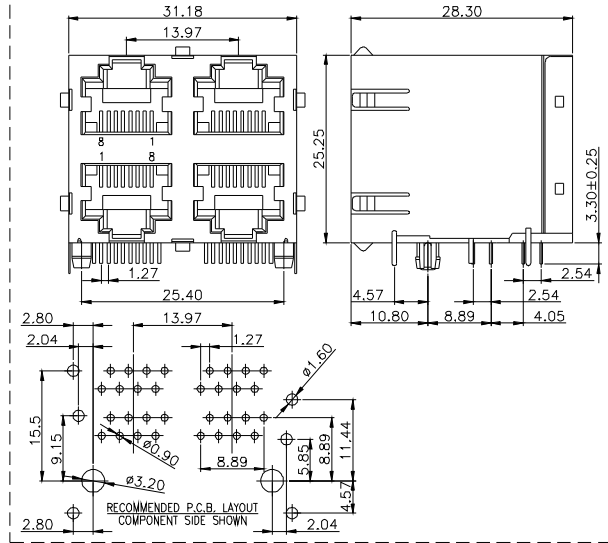
PART NO. INFORMATION



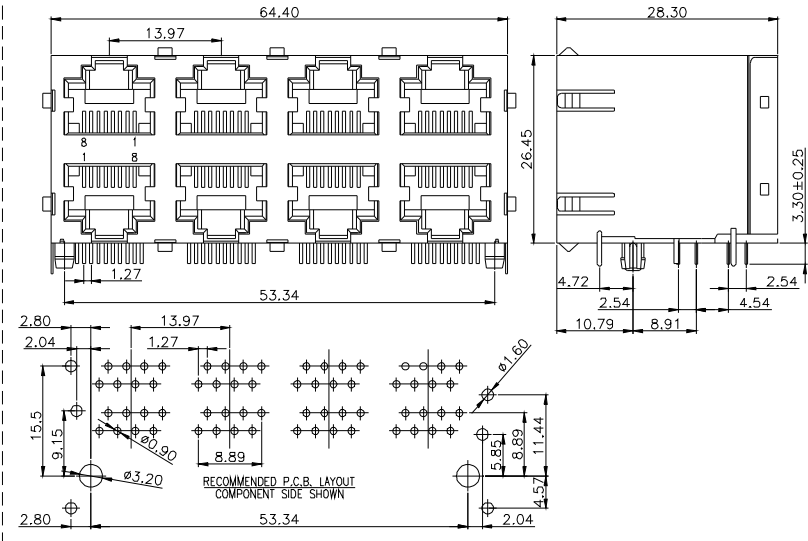
NOTE : SOME SIZES, STYLES AND OPTION ARE NON-STANDARD, NON-CANCELLABLE, NON-RETURNABLE

DIMENSION

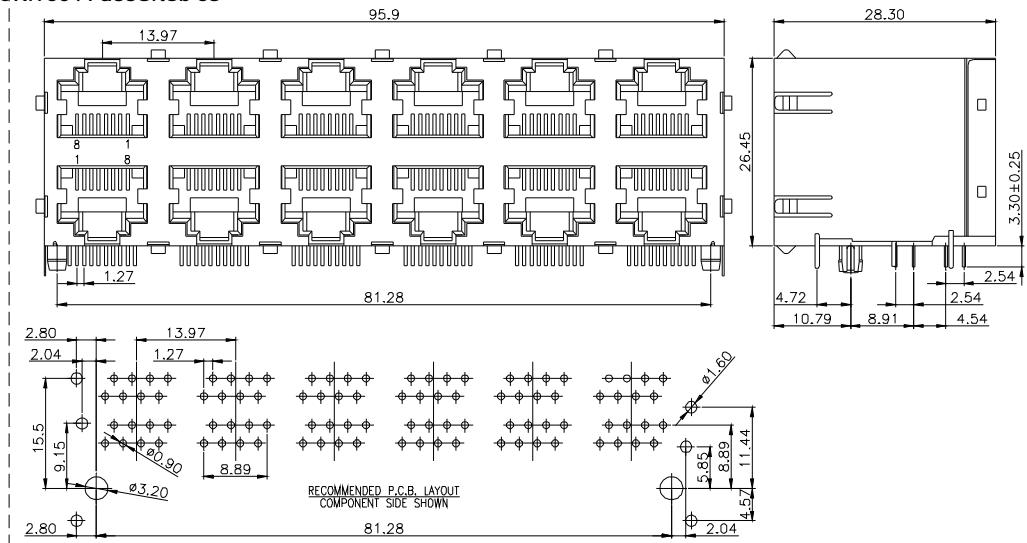
MJKf7201-Pa88GftSb-2S
 MJKf7202-Pa88GftSb-2S
 MJKf7203-Pa88GftSb-2S
 MJKf7204-Pa88GftSb-2S



MJKf7401-Pa88GftSb-4S
 MJKf7402-Pa88GftSb-4S
 MJKf7403-Pa88GftSb-4S
 MJKf7404-Pa88GftSb-4S



MJKf7601-Pa88GftSb-6S
 MJKf7602-Pa88GftSb-6S
 MJKf7603-Pa88GftSb-6S
 MJKf7604-Pa88GftSb-6S

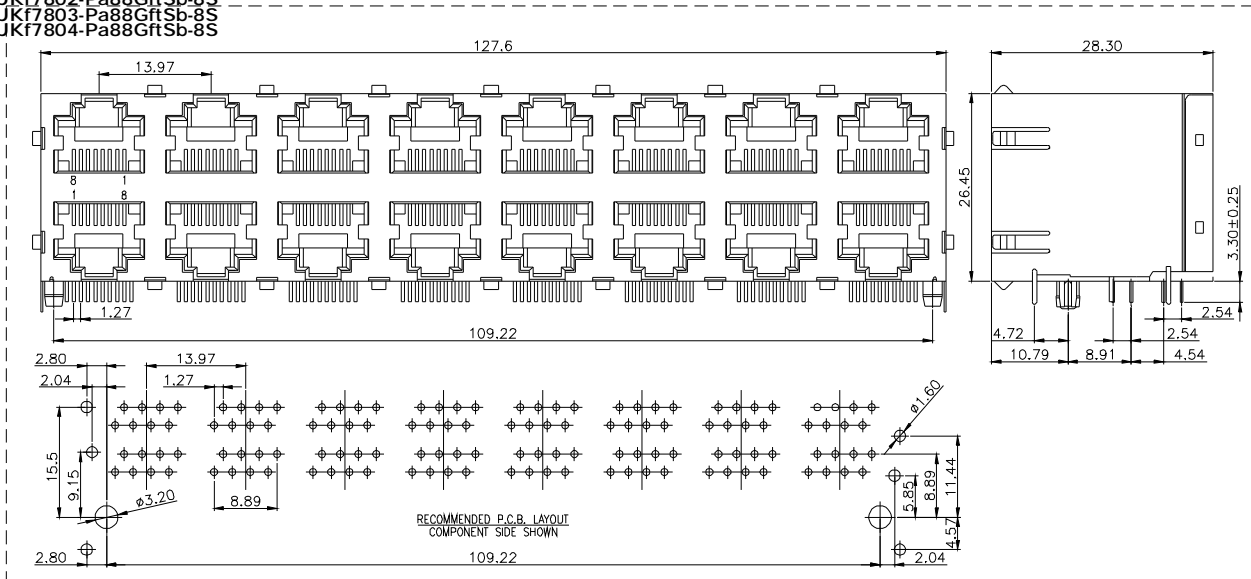


NOTE : SOME SIZES, STYLES AND OPTION ARE NON-STANDARD, NON-CANCELLABLE, NON-RETURNABLE

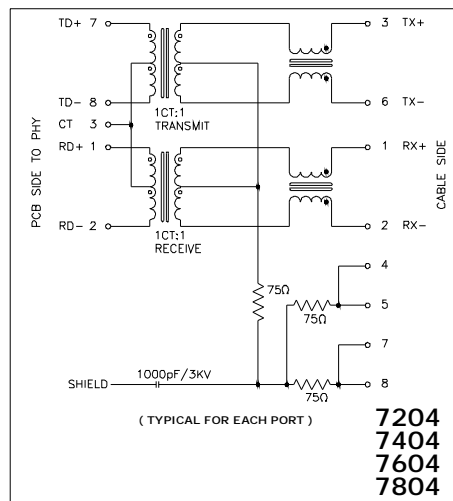
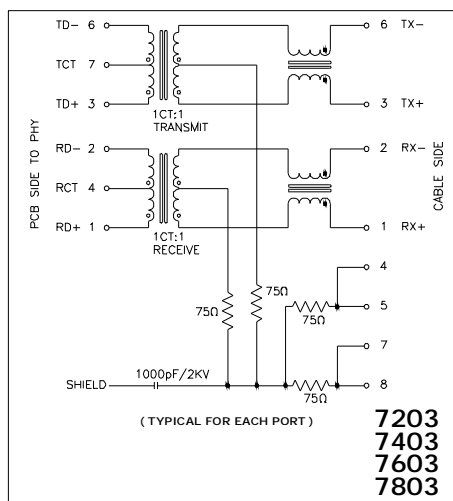
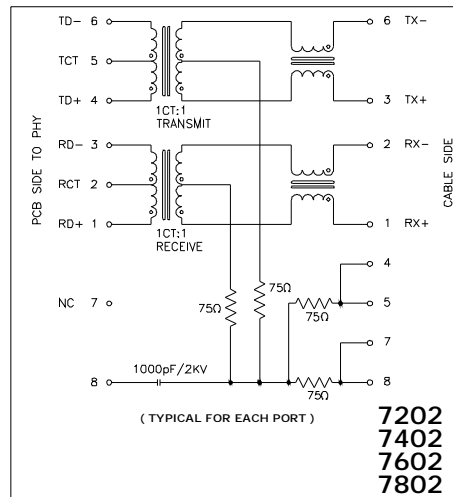
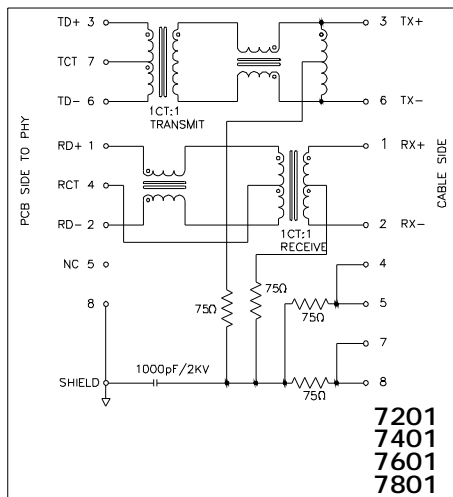
7X0X SERIES RJ45 2xN 10/100 BASE-TX JACK WITH MAGNETIC MODULE RIGHT ANGLE TYPE - Pa

DIMENSION

MJKf7801-Pa88GftSb-8S
 MJKf7802-Pa88GftSb-8S
 MJKf7803-Pa88GftSb-8S
 MJKf7804-Pa88GftSb-8S



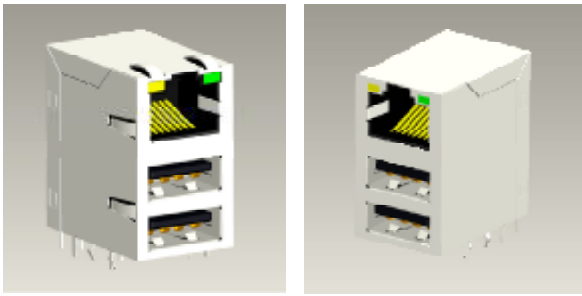
SCHEMATICS



NOTE : SOME SIZES, STYLES AND OPTION ARE NON-STANDARD, NON-CANCELLABLE, NON-RETURNABLE

44XX SERIES THROUGH HOLE RJ45 JACK WITH 10/100 MAGNETIC RIGHT ANGLE TYPE - Pa

Dual USB Combo



FEATURES

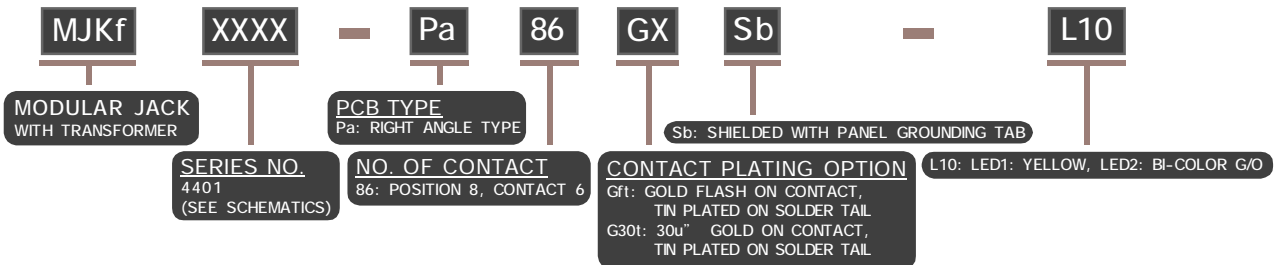
- .. LAN interface suitable for 10/100Base-TX applications
- .. RJ45/USB stacked design saves on PCB real estate
- .. USB module complies with USB 2.0 standards and meets CAT5 Fast Ethernet industry performance standard
- .. Magnetics are 100% electrically tested for HI-POT and continuity
- .. Meets or exceeds IEEE 802.3 and ANSI X3.263 standards including 350 uH minimum OCL with 8 mA bias

ELECTRICAL SPECIFICATIONS

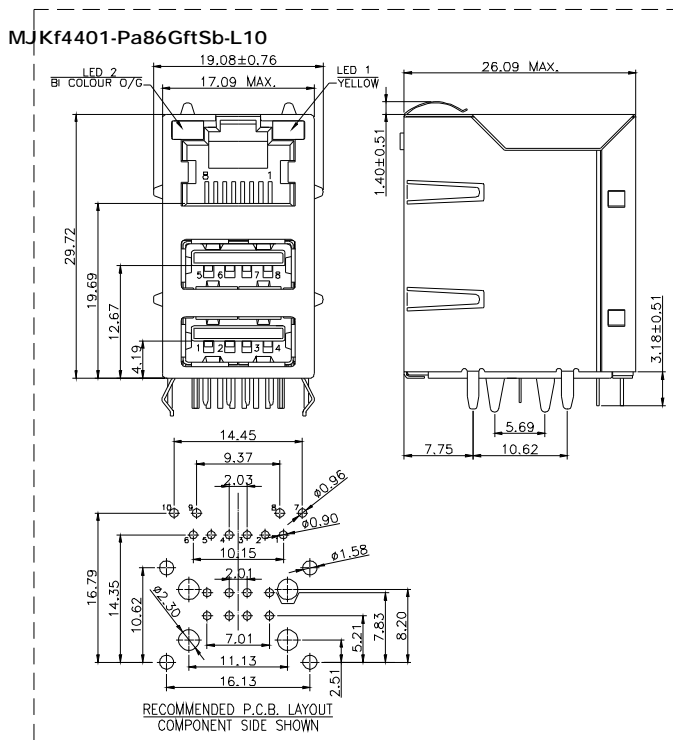
@25°C Operating Temperature 0°C TO +70°C

PART NO.	Data Rate	LEDs L/R	TURNS RATIO		Insertion Loss TX/RX (dB MAX.)			Return Loss @100Ω±15Ω (dB TYP)			Crosstalk (dB min)			Common Mode Rejection (dB TYP)		Hipot (Vrms)
			TX	RX	1-65 MHz	1-10 MHz	1-30 MHz	60-80 MHz	1-10 MHz	32-60 MHz	60-100 MHz	1-50 MHz	50-130 MHz			
MJKf4401-Pa86GftSb-L10	10/100	G-O/Y	1CT:1	1CT:1	-1.0	-20	-16	-12	-40	-35	-30	-30	-20	1500	@60Hz	

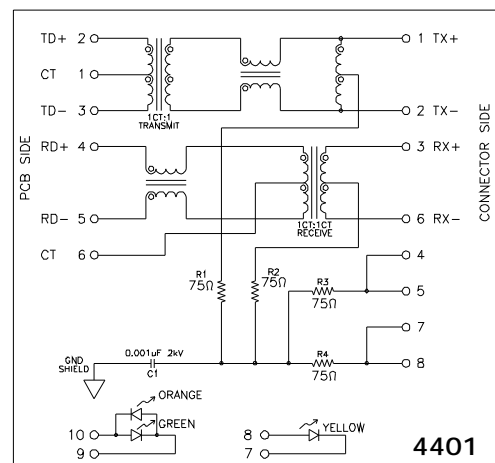
PART NO. INFORMATION



DIMENSION



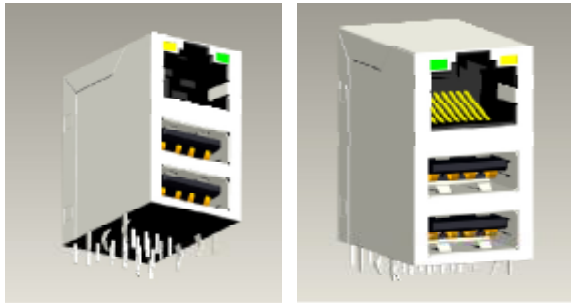
SCHEMATICS



NOTE : SOME SIZES, STYLES AND OPTION ARE NON-STANDARD, NON-CANCELLABLE, NON-RETURNABLE

45XX SERIES RJ45 10/100/1000 BASE-TX JACK RIGHT ANGLE TYPE - Pa

Dual USB Combo



FEATURES

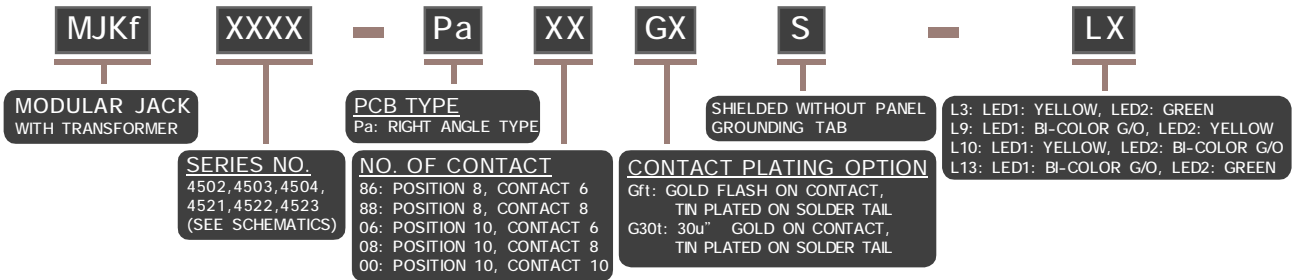
- .. LAN interface suitable for 10/100/1000Base-TX applications
- .. RJ45/USB stacked design saves on PCB real estate
- .. USB module complies with USB 2.0 standards and meets CAT5 Fast Ethernet industry performance standard
- .. Magnetics are 100% electrically tested for HI-POT and continuity
- .. Meets or exceeds IEEE 802.3 and ANSI X3.263 standards including 350 uH minimum OCL with 8 mA bias

ELECTRICAL SPECIFICATIONS

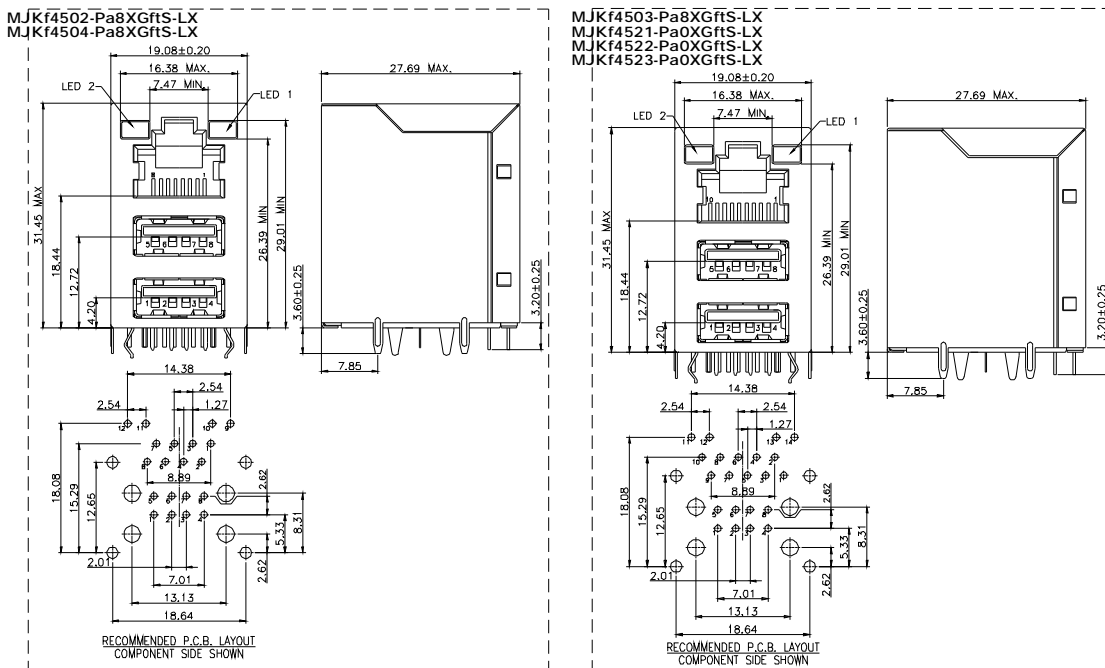
@25°C Operating Temperature 0°C TO +70°C

PART NO.	Data Rate	LEDs L/R	TURNS RATIO		Insertion Loss TX/RX (dB MAX)	Return Loss @100Ω±15Ω (dB MIN)			Crosstalk (dB TYP)			Common Mode Rejection (dB TYP)		Hipot (Vrms) @60Hz
			TX	RX		1-100 MHz	1-30 MHz	30-60 MHz	60-80 MHz	1-10 MHz	32-60 MHz	60-100 MHz	1-50 MHz	
MJKf4502-Pa8XGftS-L10	10/100	G-O/Y	1CT:1	1CT:1	-1.0	-18	-16	-12	-40	-35	-30	-30	-20	1500
MJKf4503-Pa8XGftS-L9	10/100	Y/G-O	1CT:1	1CT:1	-1.0	-18	-16	-12	-35	-35	-35	-30	-30	1500
MJKf4504-Pa8XGftS-L3	10/100	G/Y	1CT:1	1CT:1	-1.0	-20	-14	-12	-35	-35	--	-30	-30	1500
MJKf4521-Pa0XGftS-L10	10/100/1000	G-O/Y	1CT:1	1CT:1	-1.0	-18	-16	-12	-35	-35	-35	-30	-30	1500
MJKf4522-Pa0XGftS-L13	10/100/1000	G/G-O	1CT:1	1CT:1	-1.0	-18	-16	-12	-40	-40	-35	-30	-25	1500
MJKf4523-Pa0XGftS-L13	10/100/1000	G/G-O	1CT:1	1CT:1	-1.0	-18	-16	-12	-40	-35	-30	-30	-20	1500

PART NO. INFORMATION



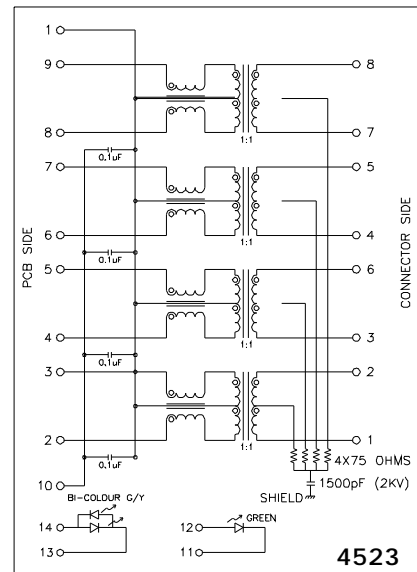
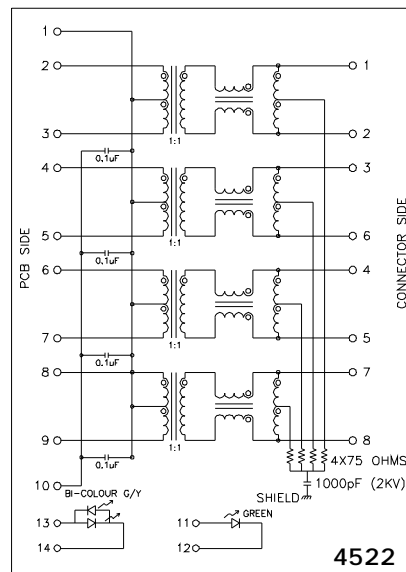
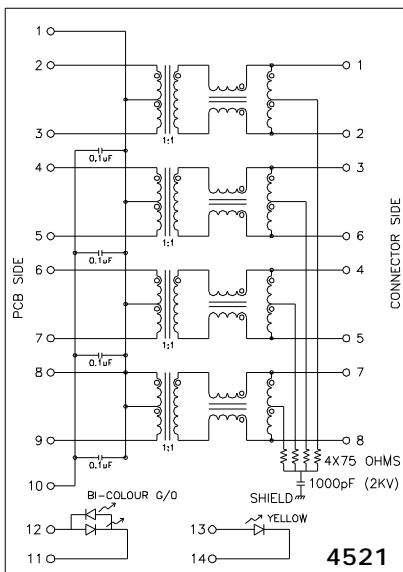
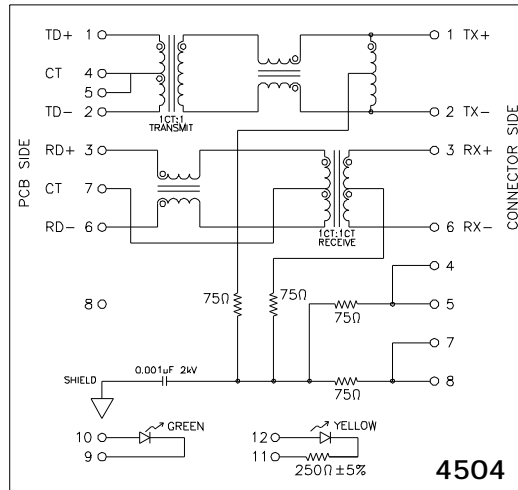
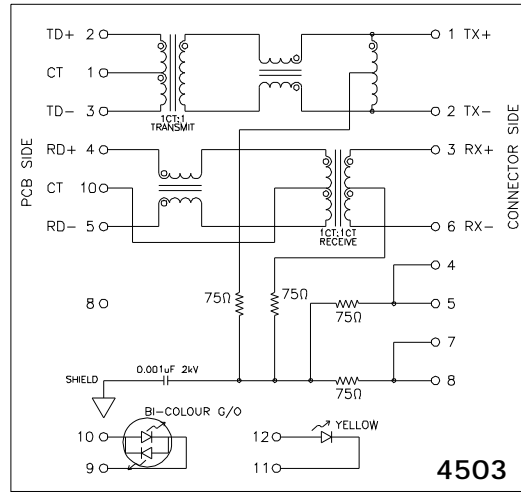
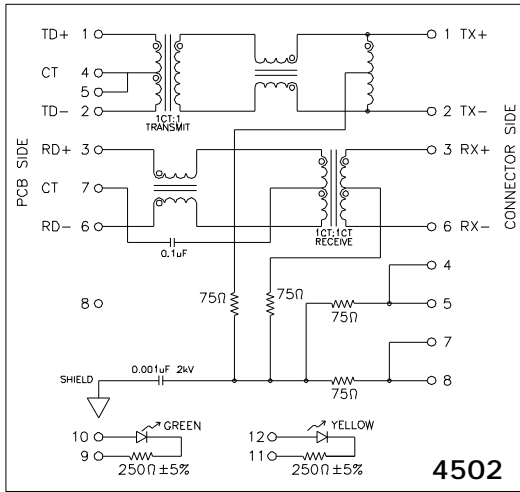
DIMENSION



NOTE : SOME SIZES, STYLES AND OPTION ARE NON-STANDARD, NON-CANCELLABLE, NON-RETURNABLE

45XX SERIES RJ45 10/100/1000 BASE-TX JACK RIGHT ANGLE TYPE - Pa

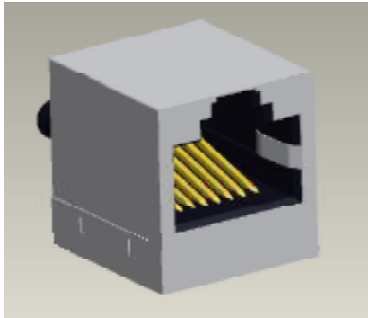
SCHEMATICS



NOTE : SOME SIZES, STYLES AND OPTION ARE NON-STANDARD, NON-CANCELLABLE, NON-RETURNABLE

6471 SERIES RJ45 10/100BASE-T JACK WITH MAGNETIC MODULE STRAIGHT TYPE - P

1 x 1



MATERIAL

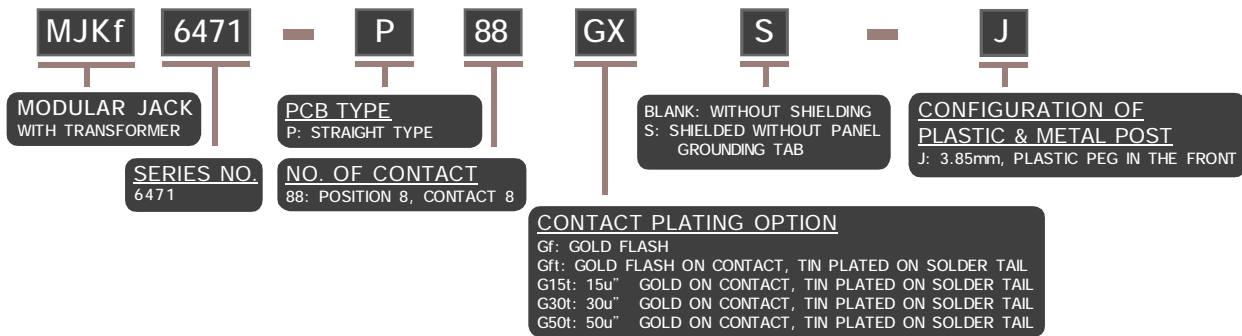
- .. HOUSING: THERMOPLASTIC UL-94V-0 .
- .. STANDARD COLOR: BLACK
- .. CONTACTS: COPPER ALLOY.
- .. SHIELD: COPPER ALLOY, PLATED WITH NICKEL.



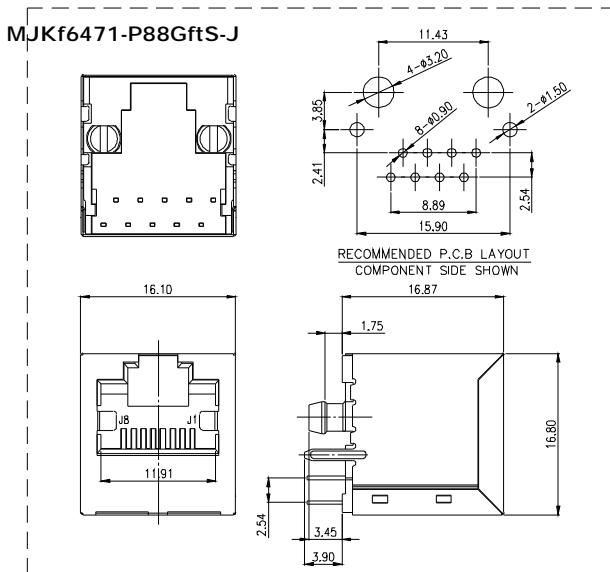
ELECTRICAL SPECIFICATIONS @25°C Operating Temperature 0°C TO +70°C

PART NO.	Data Rate	LEDs L/R	TURNS RATIO		Insertion Loss TX/RX (dB MAX.)	Return Loss @100Ω±15Ω (dB MIN)			Crosstalk (dB TYP)	Common Mode Rejection (dB TYP)	Hipot (Vrms)
			TX	RX		1-30 MHz	30-60 MHz	60-80 MHz			
MJKf6471-P88GftS-J	10/100	NONE	1CT:1CT	1CT:1CT	-1.1	-18	-12	-12	40	35	1500

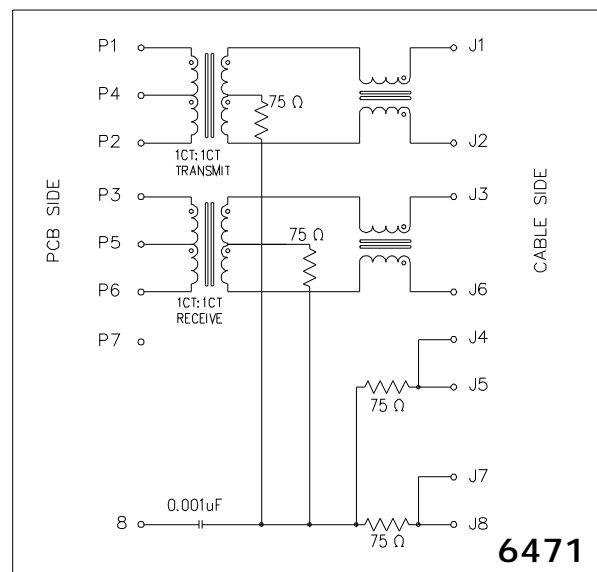
PART NO. INFORMATION



DIMENSION

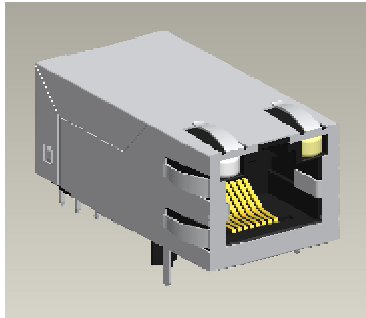


SCHEMATICS



NOTE : SOME SIZES, STYLES AND OPTION ARE NON-STANDARD, NON-CANCELLABLE, NON-RETURNABLE

1 x 1



MATERIAL

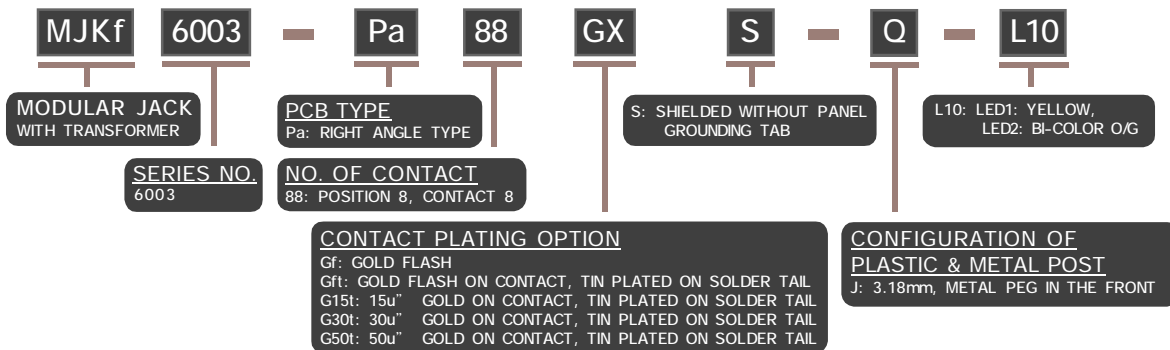
- .. HOUSING: THERMOPLASTIC UL-94V-0.
- .. CONTACTS: COPPER ALLOY.
- .. SHIELD PLATING: NICKEL OR TIN.



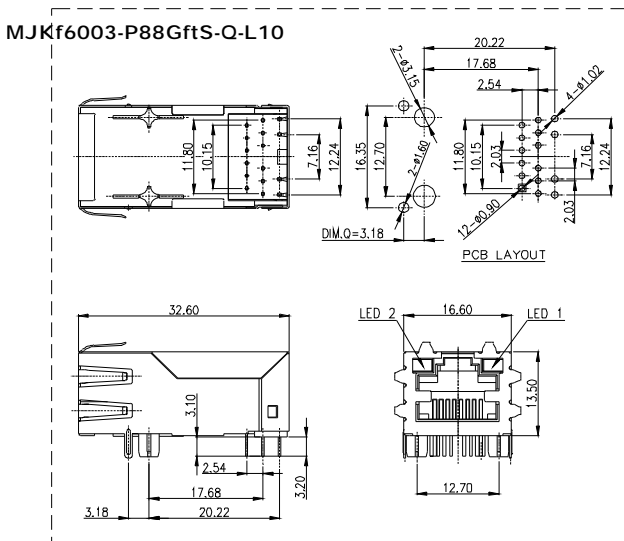
ELECTRICAL SPECIFICATIONS @25°C Operating Temperature 0°C TO +70°C

PART NO.	Data Rate	LEDs L/R	TURNS RATIO		Insertion Loss TX/RX (dB MAX)	Return Loss @100Ω±15Ω (dB MIN)				Crosstalk (dB TYP) 1-100 MHz	Common Mode Rejection (dB TYP) 1-100 MHz
			TX	RX		1-30 MHz	30-60 MHz	60-80 MHz	80-100 MHz		
MJKf6003-P88GftS-Q-L10	10/100	Y/OG	1:1	1:1	-1.1	-19	-13	-12	-10	-[33-20LOG(F/50MHz)] MIN	35

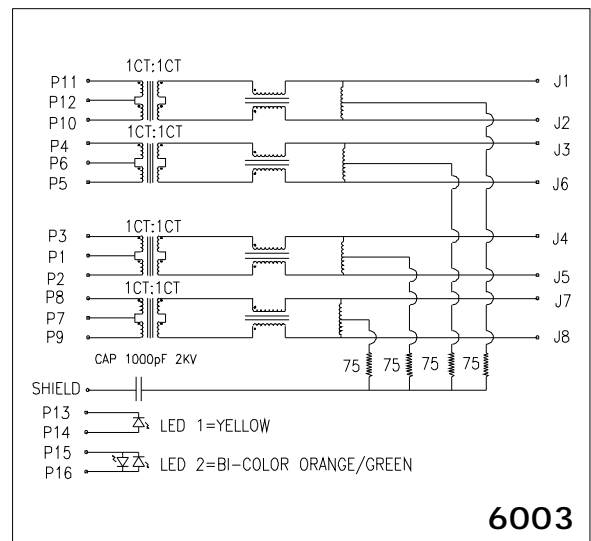
PART NO. INFORMATION



DIMENSION



SCHEMATICS



NOTE : SOME SIZES, STYLES AND OPTION ARE NON-STANDARD, NON-CANCELLABLE, NON-RETURNABLE