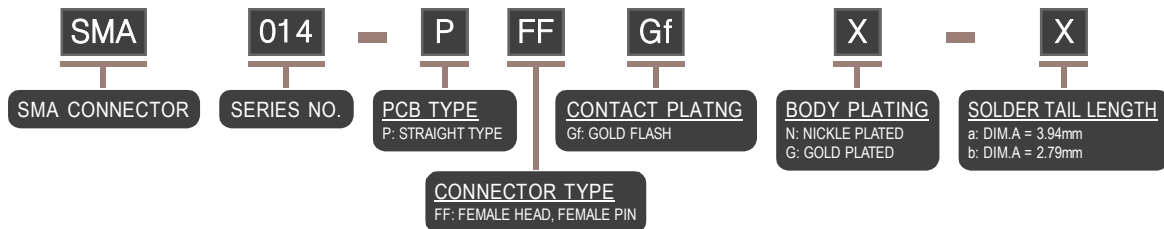
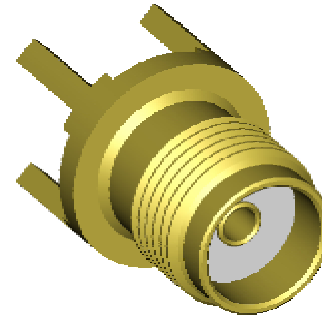
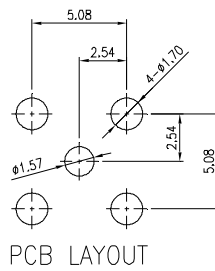
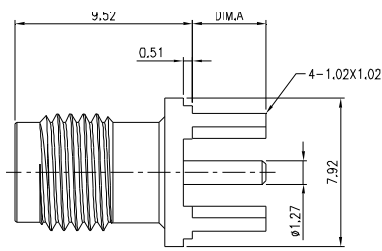


- SMA -
SUB MINIATURE A CONNECTOR

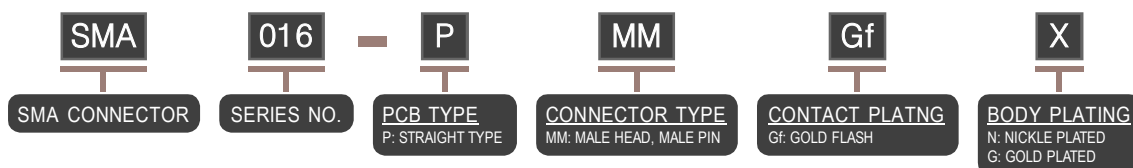
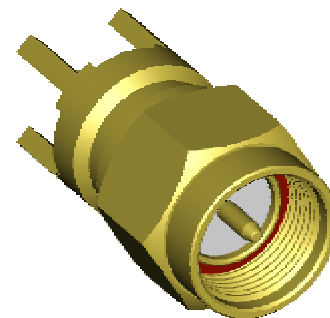
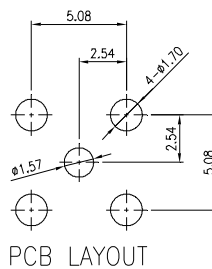
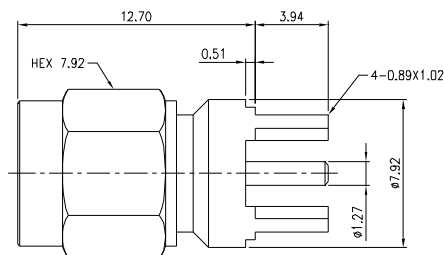
TERMINAL TYPE

- P : PCB TYPE, STRAIGHT TYPE
 - Pa : PCB TYPE, RIGHT ANGLE TYPE
 - Pt : PCB TYPE, SURFACE MOUNT TYPE
 - Rt : PCB TYPE, RIGHT ANGLE SMT TYPE
 - EI : END LAUNCH TYPE
 - EPt : END LAUNCH SURFACE MOUNT TYPE
 - Hf : HOLE FLANGE MOUNT TYPE
 - Hfa : HOLE RIGHT ANGEL FLANGE MOUNT TYPE
-

SMA CONNECTOR - STRAIGHT TYPE - P

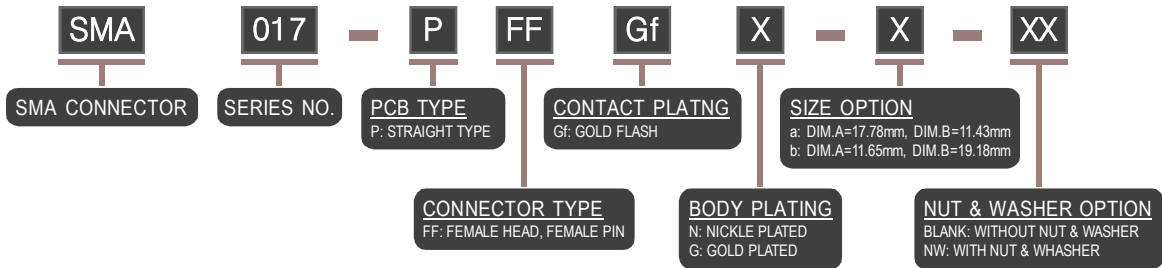
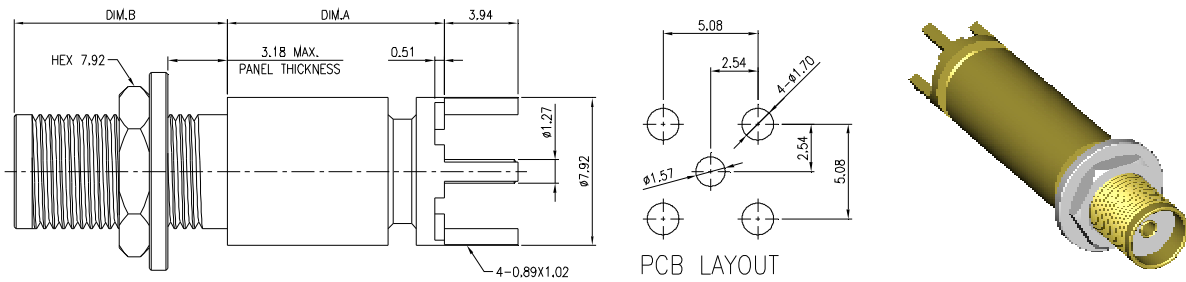


SMA CONNECTOR - STRAIGHT TYPE - P

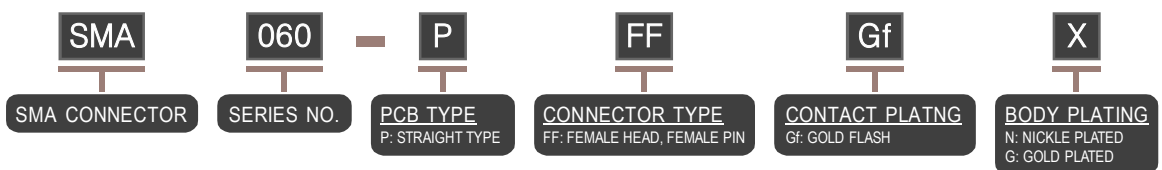
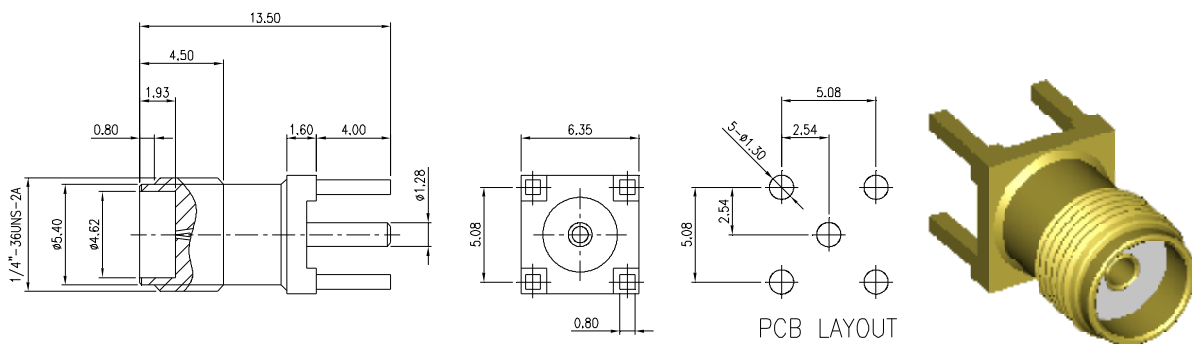


NOTE : SOME SIZES, STYLES AND OPTION ARE NON-STANDARD, NON-CANCELLABLE, NON-RETURNABLE

SMA CONNECTOR - STRAIGHT TYPE - P

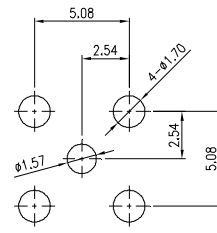
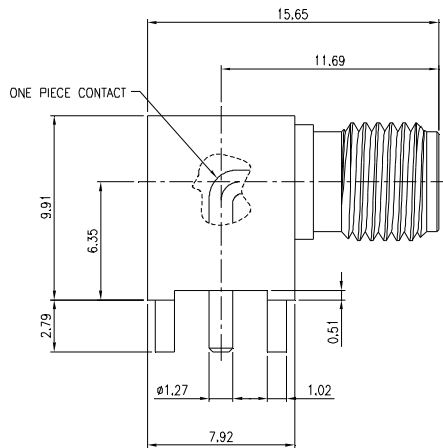


SMA CONNECTOR - STRAIGHT TYPE - P

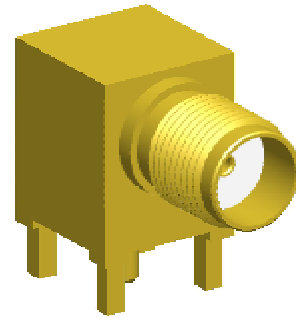


NOTE : SOME SIZES, STYLES AND OPTION ARE NON-STANDARD, NON-CANCELLABLE, NON-RETURNABLE

SMA CONNECTOR - RIGHT ANGLE TYPE - Pa

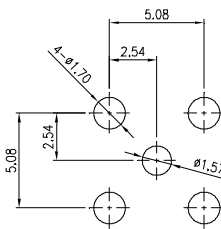
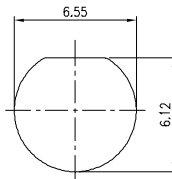
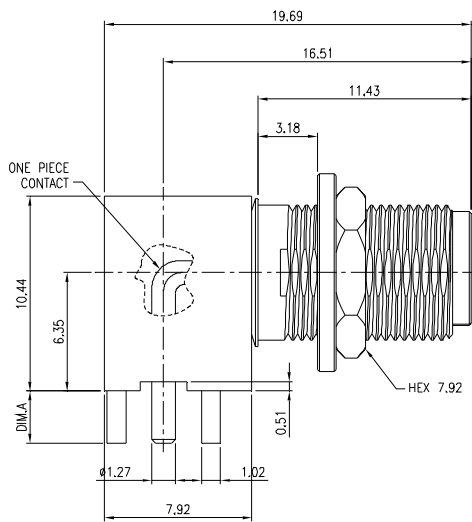


PCB LAYOUT

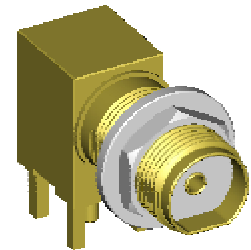


SMA	008	Pa	FF	Gf	X
SMA CONNECTOR	SERIES NO.	PCB TYPE Pa: RIGHT ANGLE TYPE	CONNECTOR TYPE FF: FEMALE HEAD, FEMALE PIN	CONTACT PLATING Gf: GOLD FLASH	BODY PLATING N: NICKLE PLATED G: GOLD PLATED

SMA CONNECTOR - RIGHT ANGLE TYPE - Pa



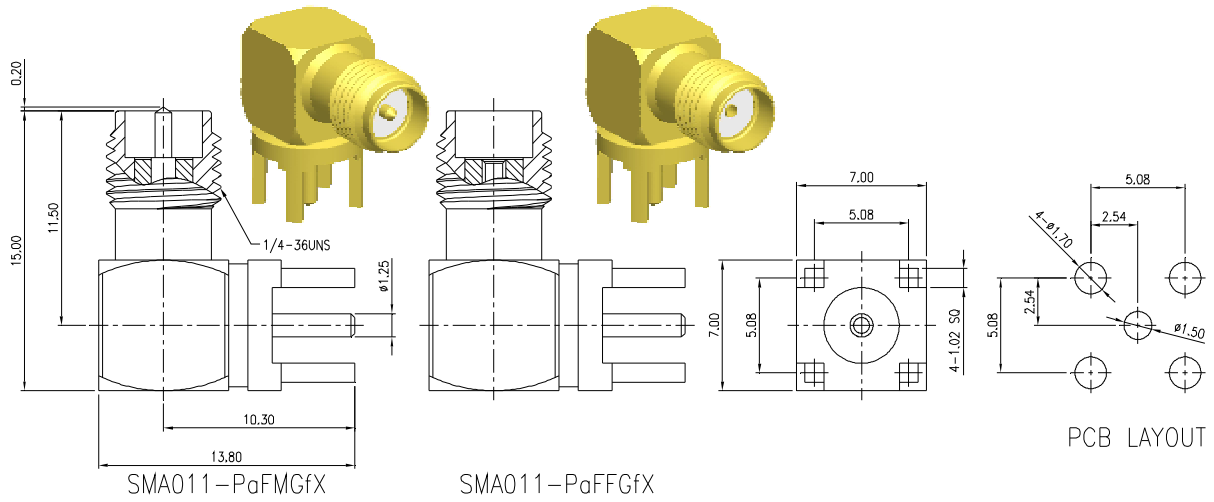
PCB LAYOUT



SMA	009	Pa	FF	Gf	X	X	XX
SMA CONNECTOR	SERIES NO.	PCB TYPE Pa: RIGHT ANGLE TYPE	CONNECTOR TYPE FF: FEMALE HEAD, FEMALE PIN	CONTACT PLATING Gf: GOLD FLASH	SOLDER TAIL LENGTH a: DIM.A=3.94mm b: DIM.A=2.79mm		NUT & WASHER OPTION BLANK: WITHOUT NUT & WASHER NW: WITH NUT & WASHER

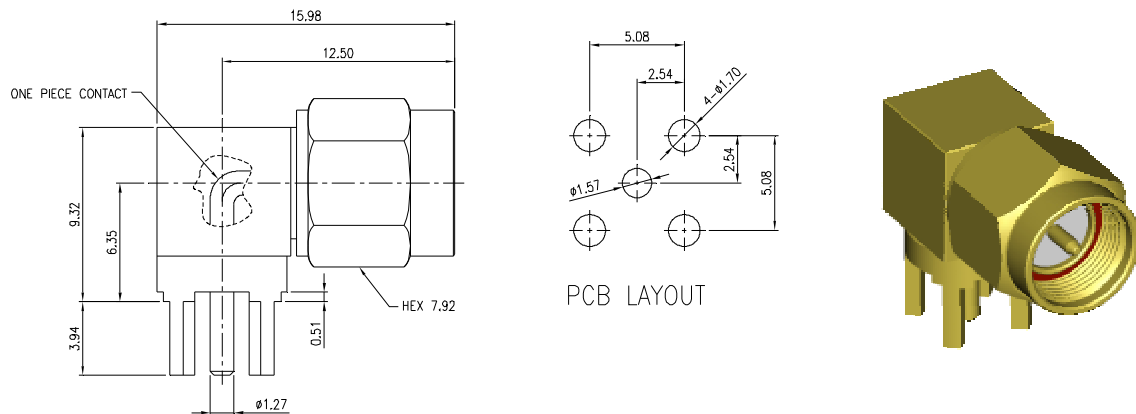
NOTE : SOME SIZES, STYLES AND OPTION ARE NON-STANDARD, NON-CANCELLABLE, NON-RETURNABLE

SMA CONNECTOR - RIGHT ANGLE TYPE - Pa



SMA	011	- Pa	FX	Gf	X
SMA CONNECTOR	SERIES NO.	PCB TYPE Pa: RIGHT ANGLE TYPE	CONNECTOR TYPE FM: FEMALE HEAD, MALE PIN FF: FEMALE HEAD, FEMALE PIN	CONTACT PLATING Gf: GOLD FLASH	BODY PLATING N: NICKLE PLATED G: GOLD PLATED

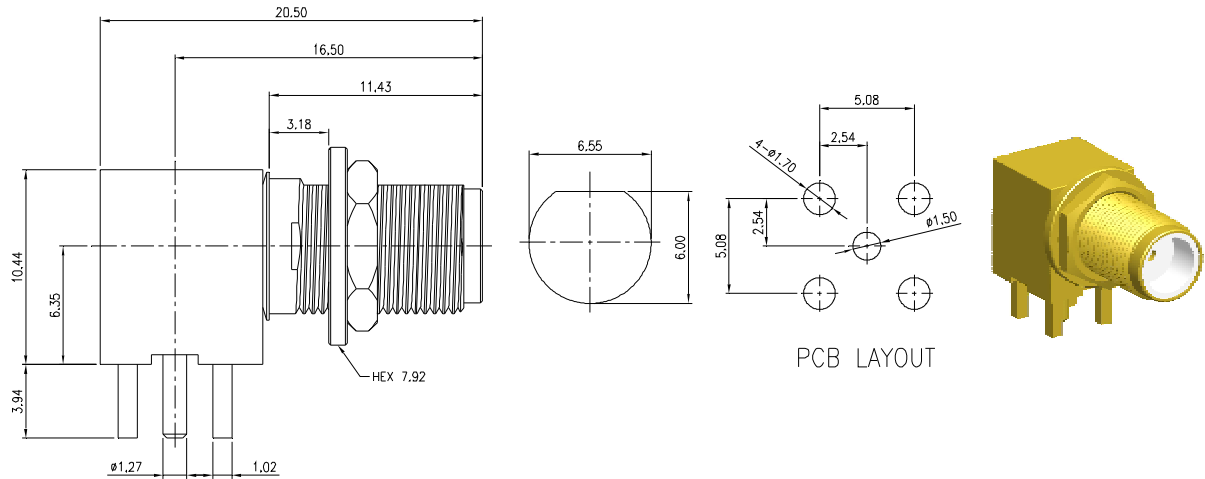
SMA CONNECTOR - RIGHT ANGLE TYPE - Pa



SMA	012	- Pa	MM	Gf	X
SMA CONNECTOR	SERIES NO.	PCB TYPE Pa: RIGHT ANGLE TYPE	CONNECTOR TYPE MM: MALE HEAD, MALE PIN	CONTACT PLATING Gf: GOLD FLASH	BODY PLATING N: NICKLE PLATED G: GOLD PLATED

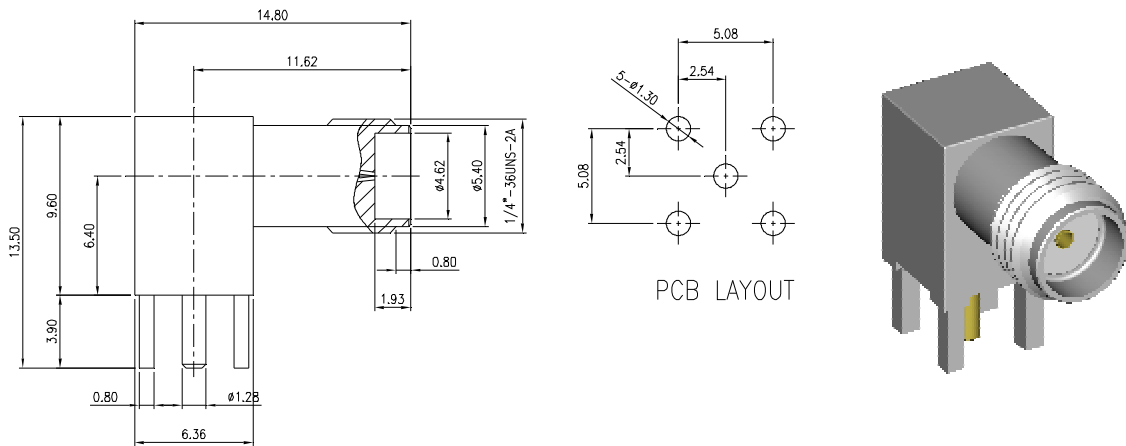
NOTE : SOME SIZES, STYLES AND OPTION ARE NON-STANDARD, NON-CANCELLABLE, NON-RETURNABLE

SMA CONNECTOR - RIGHT ANGLE TYPE - Pa



SMA	058	Pa	FF	Gf	X
SMA CONNECTOR	SERIES NO.	PCB TYPE Pa: RIGHT ANGLE TYPE	CONNECTOR TYPE FF: FEMALE HEAD, FEMALE PIN	CONTACT PLATNG Gf: GOLD FLASH	BODY PLATING N: NICKLE PLATED G: GOLD PLATED

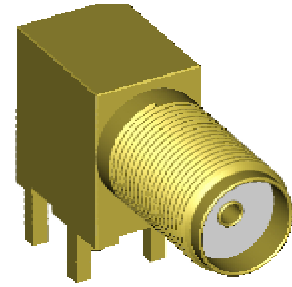
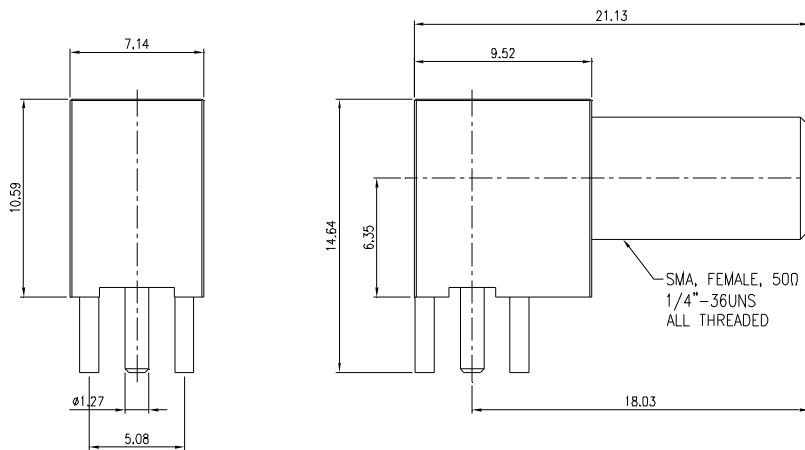
SMA CONNECTOR - RIGHT ANGLE TYPE - Pa



SMA	059	Pa	FF	Gf	X
SMA CONNECTOR	SERIES NO.	PCB TYPE Pa: RIGHT ANGLE TYPE	CONNECTOR TYPE FF: FEMALE HEAD, FEMALE PIN	CONTACT PLATNG Gf: GOLD FLASH	BODY PLATING N: NICKLE PLATED G: GOLD PLATED

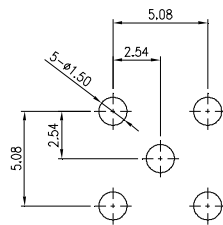
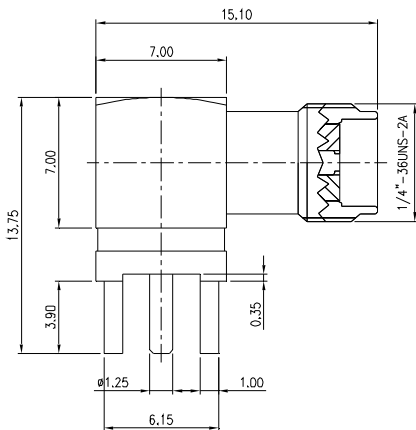
NOTE : SOME SIZES, STYLES AND OPTION ARE NON-STANDARD, NON-CANCELLABLE, NON-RETURNABLE

SMA CONNECTOR - RIGHT ANGLE TYPE - Pa

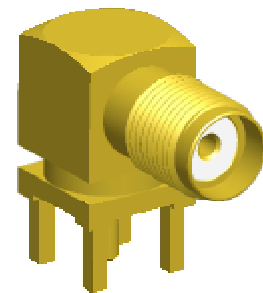


SMA	061	Pa	FF	Gf	X
SMA CONNECTOR	SERIES NO.	PCB TYPE Pa: RIGHT ANGLE TYPE	CONNECTOR TYPE FF: FEMALE HEAD, FEMALE PIN	CONTACT PLATNG Gf: GOLD FLASH	BODY PLATING N: NICKLE PLATED G: GOLD PLATED

SMA CONNECTOR - RIGHT ANGLE TYPE - Pa



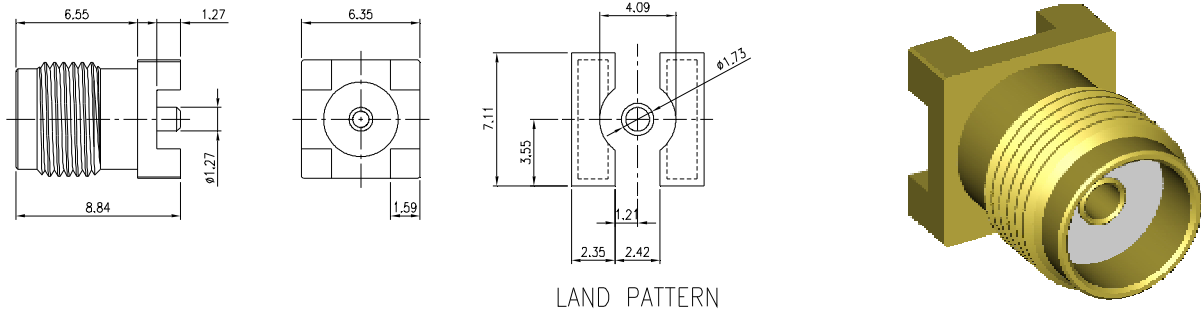
PCB LAYOUT



SMA	159	Pa	FF	Gf	X
SMA CONNECTOR	SERIES NO.	PCB TYPE Pa: RIGHT ANGLE TYPE	CONNECTOR TYPE FF: FEMALE HEAD, FEMALE PIN	CONTACT PLATNG Gf: GOLD FLASH	BODY PLATING N: NICKLE PLATED G: GOLD PLATED

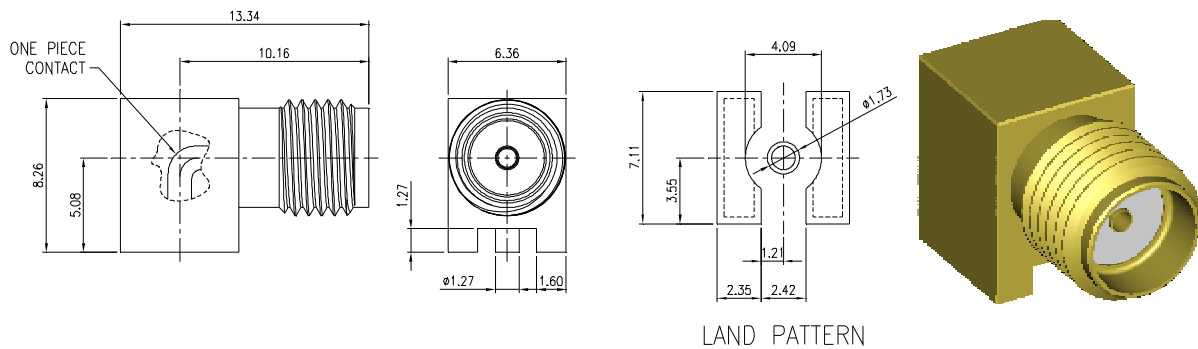
NOTE : SOME SIZES, STYLES AND OPTION ARE NON-STANDARD, NON-CANCELLABLE, NON-RETURNABLE

SMA CONNECTOR - SURFACE MOUNT TYPE - Pt



SMA	013	Pt	FF	Gf	X
SMA CONNECTOR	SERIES NO.	PCB TYPE Pt: SURFACE MOUNT TYPE	CONNECTOR TYPE FF: FEMALE HEAD, FEMALE PIN	CONTACT PLATING Gf: GOLD FLASH	BODY PLATING N: NICKLE PLATED G: GOLD PLATED

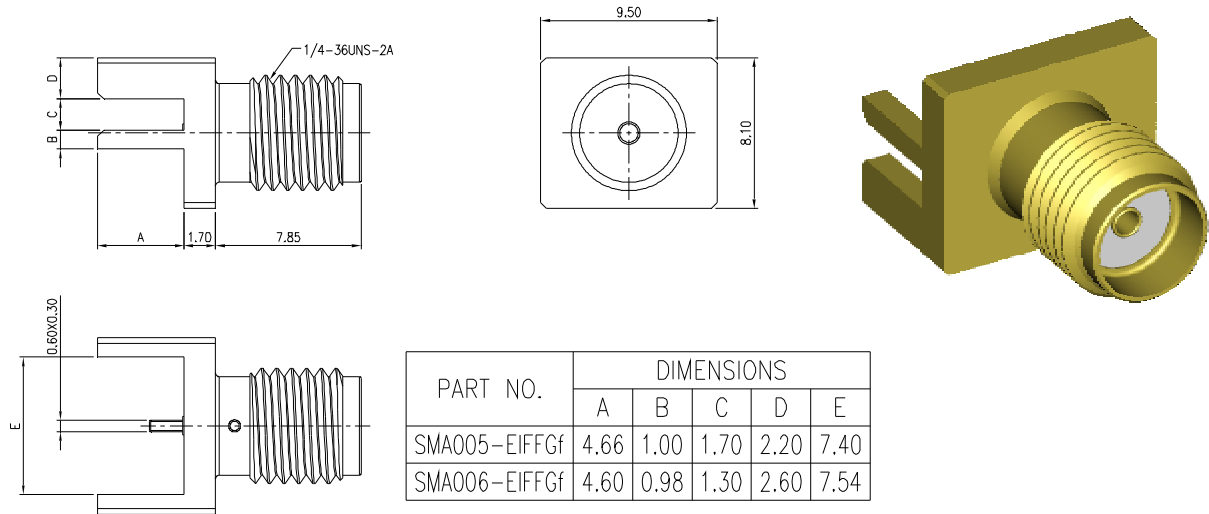
SMA CONNECTOR - RIGHT ANGLE SURFACE MOUNT TYPE - Rt



SMA	007	Rt	FF	Gf	X
SMA CONNECTOR	SERIES NO.	PCB TYPE Rt: RIGHT ANGLE SURFACE MOUNT TYPE	CONNECTOR TYPE FF: FEMALE HEAD, FEMALE PIN	CONTACT PLATING Gf: GOLD FLASH	BODY PLATING N: NICKLE PLATED G: GOLD PLATED

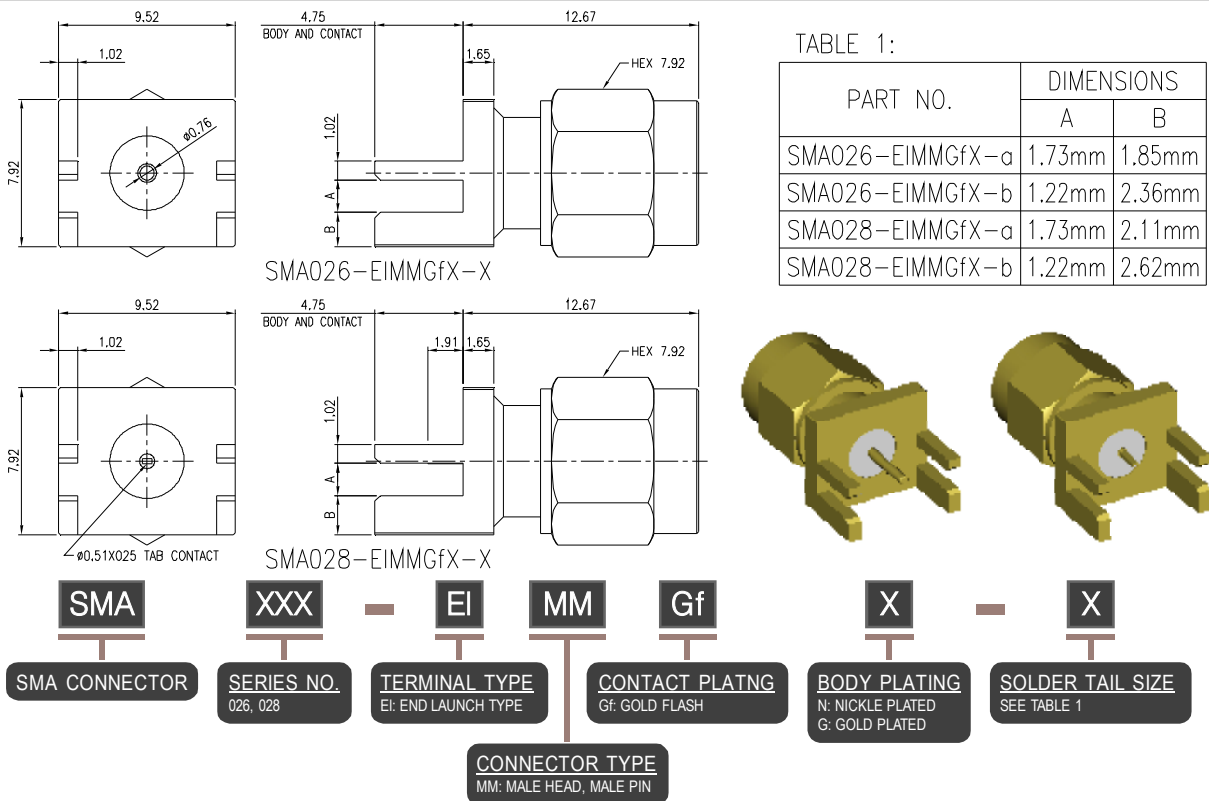
NOTE : SOME SIZES, STYLES AND OPTION ARE NON-STANDARD, NON-CANCELLABLE, NON-RETURNABLE

SMA CONNECTOR - END LAUNCH TYPE - EI



SMA	XXX	-	EI	FF	Gf
SMA CONNECTOR	SERIES NO. 005, 006		TERMINAL TYPE EI: END LAUNCH TYPE	CONNECTOR TYPE FF: FEMALE HEAD, FEMALE PIN	CONTACT PLATNG Gf: GOLD FLASH

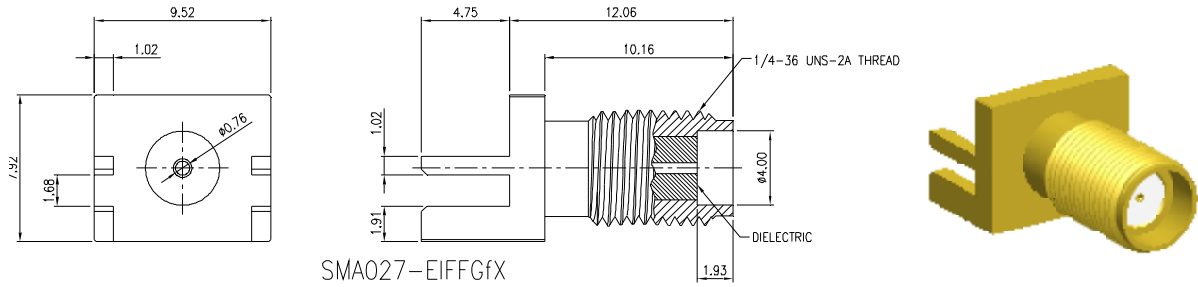
SMA CONNECTOR - END LAUNCH TYPE - EI



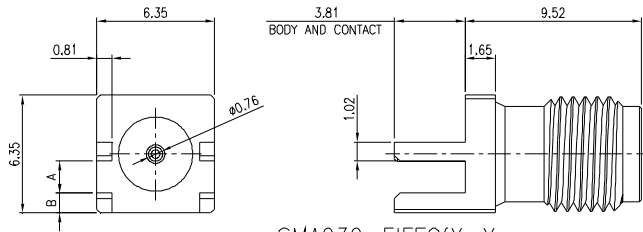
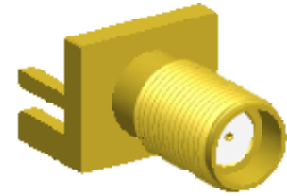
SMA	XXX	-	EI	MM	Gf	X	-	X
SMA CONNECTOR	SERIES NO. 026, 028		TERMINAL TYPE EI: END LAUNCH TYPE	CONNECTOR TYPE MM: MALE HEAD, MALE PIN	CONTACT PLATNG Gf: GOLD FLASH	BODY PLATING N: NICKLE PLATED G: GOLD PLATED		SOLDER TAIL SIZE SEE TABLE 1

NOTE : SOME SIZES, STYLES AND OPTION ARE NON-STANDARD, NON-CANCELLABLE, NON-RETURNABLE

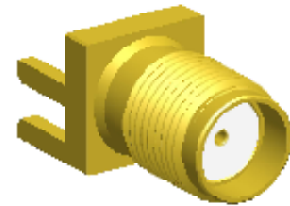
SMA CONNECTOR - END LAUNCH TYPE - EI



SMA027-EIFFGfX

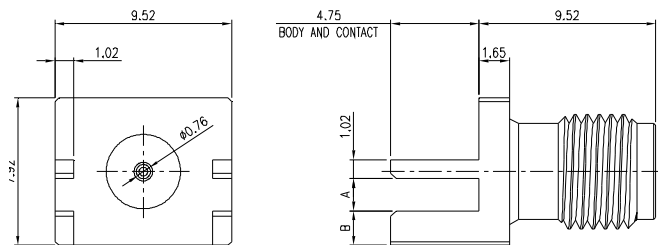


SMA030-EIFFGfX-X

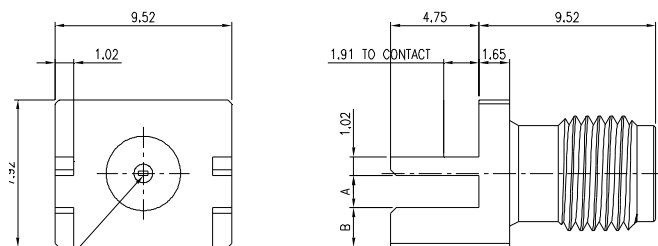


SMA	XXX	-	EI	FF	Gf	X	-	X
SMA CONNECTOR	SERIES NO. 027, 030		TERMINAL TYPE EI: END LAUNCH TYPE	CONNECTOR TYPE FF: FEMALE HEAD, FEMALE PIN	CONTACT PLATNG Gf: GOLD FLASH	BODY PLATING N: NICKLE PLATED G: GOLD PLATED		SOLDER TAIL SIZE (ONLY FOR SMA030) a: DIM.A= 1.73mm, DIM.B= 1.07mm b: DIM.A= 1.22mm, DIM.B= 1.57mm

SMA CONNECTOR - END LAUNCH TYPE - EI



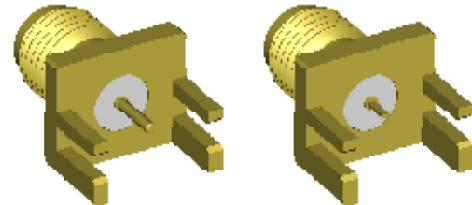
SMA032-EIFFGfX-X



SMA036-EIFFGfX-X

TABLE 1:

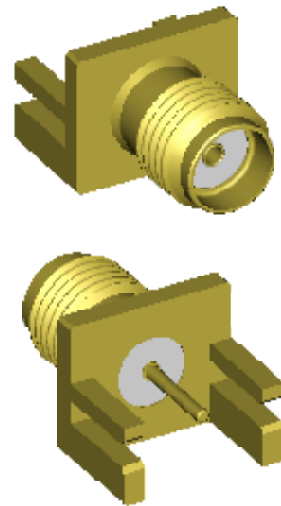
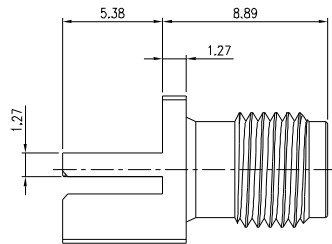
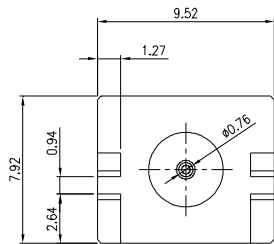
PART NO.	DIMENSIONS	
	A	B
SMA032-EIFFGfX-a	1.73mm	1.85mm
SMA032-EIFFGfX-b	1.22mm	2.36mm
SMA032-EIFFGfX-c	1.35mm	2.24mm
SMA036-EIFFGfX-a	1.73mm	2.11mm
SMA036-EIFFGfX-b	1.22mm	2.62mm
SMA036-EIFFGfX-c	1.35mm	2.24mm



SMA	XXX	-	EI	FF	Gf	X	-	X
SMA CONNECTOR	SERIES NO. 032, 036		TERMINAL TYPE EI: END LAUNCH TYPE	CONNECTOR TYPE FF: FEMALE HEAD, FEMALE PIN	CONTACT PLATNG Gf: GOLD FLASH	BODY PLATING N: NICKLE PLATED G: GOLD PLATED		SOLDER TAIL SIZE SEE TABLE 1

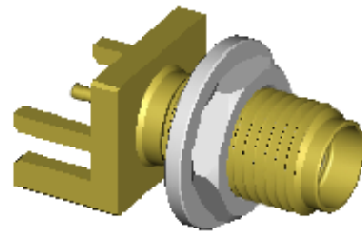
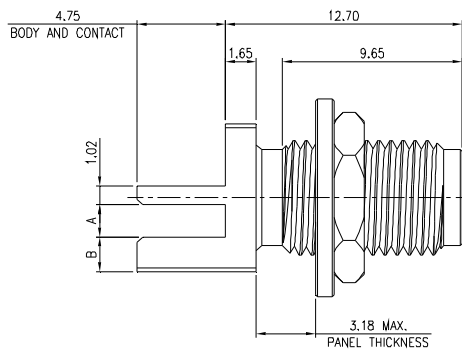
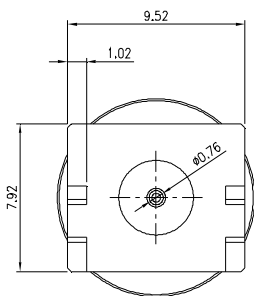
NOTE : SOME SIZES, STYLES AND OPTION ARE NON-STANDARD, NON-CANCELLABLE, NON-RETURNABLE

SMA CONNECTOR - END LAUNCH TYPE - EI



SMA	034	-	EI	FF	Gf	X
SMA CONNECTOR	SERIES NO.		TERMINAL TYPE EI: END LAUNCH TYPE	CONNECTOR TYPE FF: FEMALE HEAD, FEMALE PIN	CONTACT PLATNG Gf: GOLD FLASH	BODY PLATING N: NICKLE PLATED G: GOLD PLATED

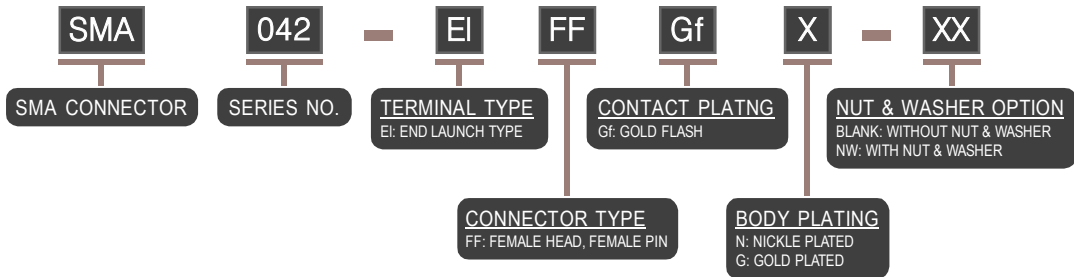
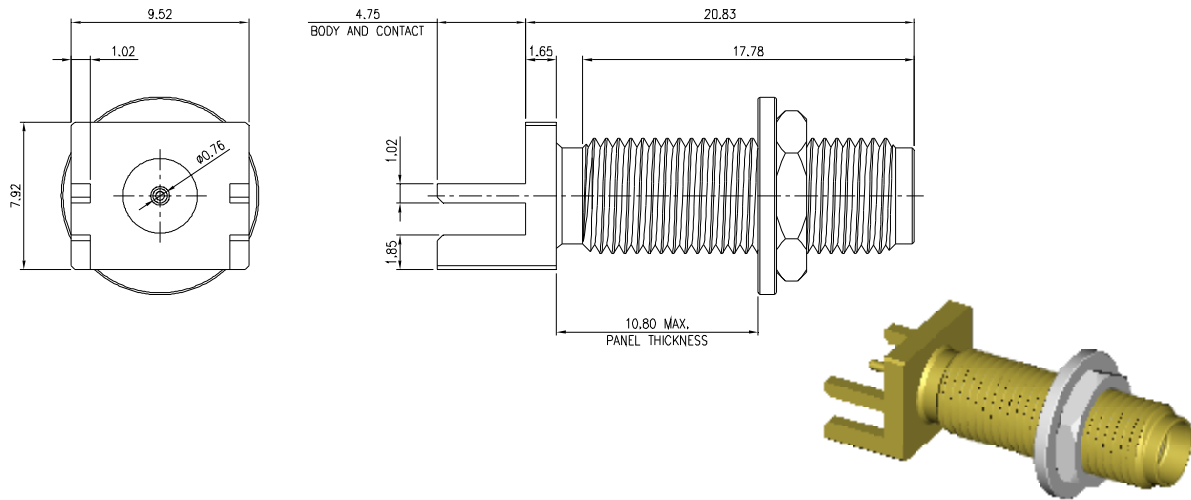
SMA CONNECTOR - END LAUNCH TYPE - EI



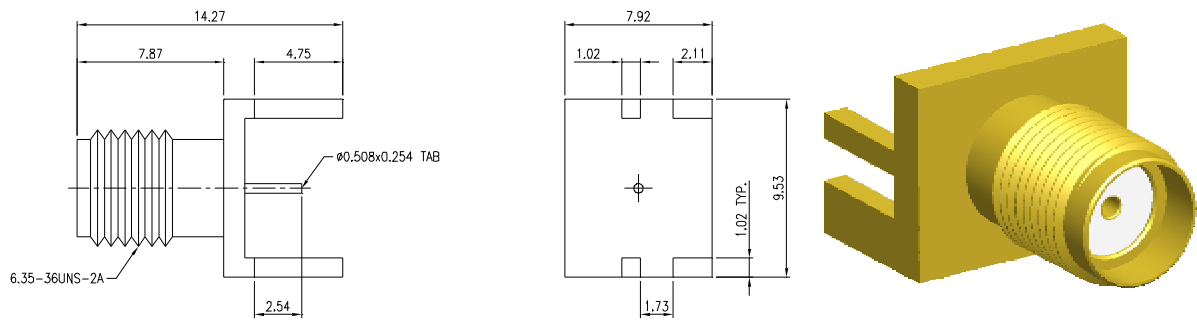
SMA	039	-	EI	FF	Gf	X	-	X	-	XX
SMA CONNECTOR	SERIES NO.		TERMINAL TYPE EI: END LAUNCH TYPE	CONNECTOR TYPE FF: FEMALE HEAD, FEMALE PIN	CONTACT PLATNG Gf: GOLD FLASH	SIZE OPTION a: DIM.A= 1.73mm, DIM.B= 1.85mm b: DIM.A= 1.22mm, DIM.B= 2.36mm c: DIM.A= 1.35mm, DIM.B= 2.24mm		BODY PLATING N: NICKLE PLATED G: GOLD PLATED		NUT & WASHER OPTION BLANK: WITHOUT NUT & WASHER NW: WITH NUT & WASHER

NOTE : SOME SIZES, STYLES AND OPTION ARE NON-STANDARD, NON-CANCELLABLE, NON-RETURNABLE

SMA CONNECTOR - END LAUNCH TYPE - EI

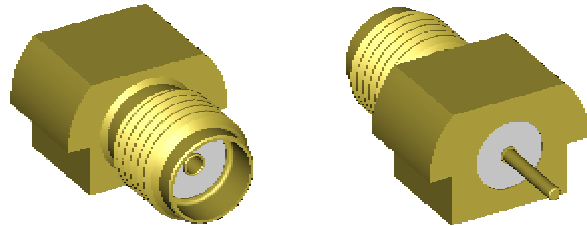
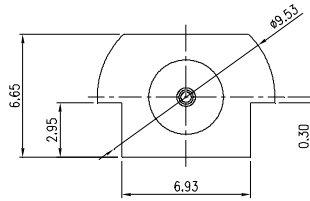
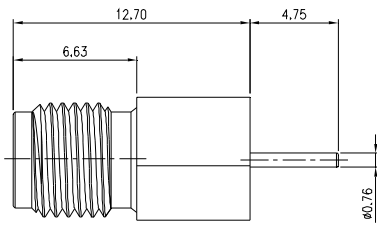


SMA CONNECTOR - END LAUNCH TYPE - EI



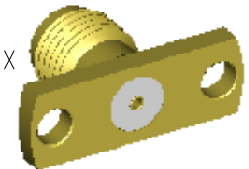
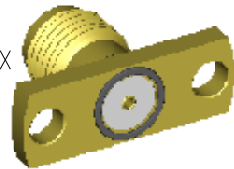
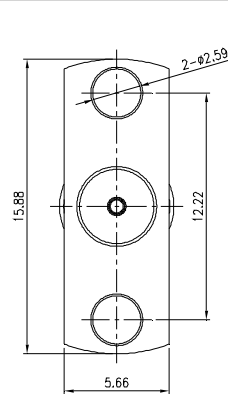
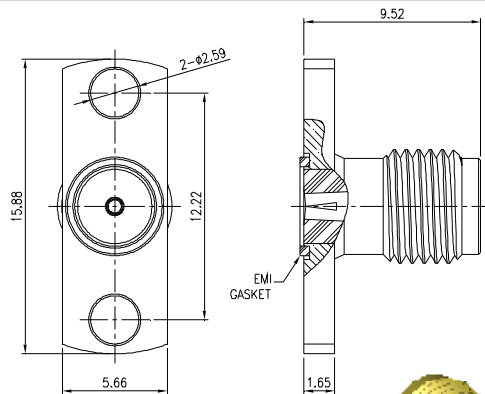
NOTE : SOME SIZES, STYLES AND OPTION ARE NON-STANDARD, NON-CANCELLABLE, NON-RETURNABLE

SMA CONNECTOR - END LAUNCH SURFACE MOUNT TYPE - EPt



SMA	043	EPt	FF	Gf	X
SMA CONNECTOR	SERIES NO.	TERMINAL TYPE EPt: END LAUNCH SURFACE MOUNT TYPE	CONNECTOR TYPE FF: FEMALE HEAD, FEMALE PIN	CONTACT PLATNG Gf: GOLD FLASH	BODY PLATING N: NICKLE PLATED G: GOLD PLATED

SMA CONNECTOR - HOLE FLANGE MOUNT TYPE - Hf



SMA044-HfFFGfX-X

SMA045-HfFFGfX-X

SMA	XXX	Hf	FF	Gf	X	X
SMA CONNECTOR	SERIES NO. 044: WITH EMI GASKET 045: W/O EMI GASKET	TERMINAL TYPE Hf: HOLE FLANGE MOUNT TYPE	CONNECTOR TYPE FF: FEMALE HEAD, FEMALE PIN	CONTACT PLATNG Gf: GOLD FLASH	ACCEPT PIN SIZE OPTION a: 0.30mm, b: 0.38mm, c: 0.46mm (FOR SMA044) d: 0.51mm, e: 0.91mm (FOR SMA045)	BODY PLATING N: NICKLE PLATED G: GOLD PLATED

NOTE : SOME SIZES, STYLES AND OPTION ARE NON-STANDARD, NON-CANCELLABLE, NON-RETURNABLE

SMA CONNECTOR - HOLE FLANGE MOUNT TYPE - Hf

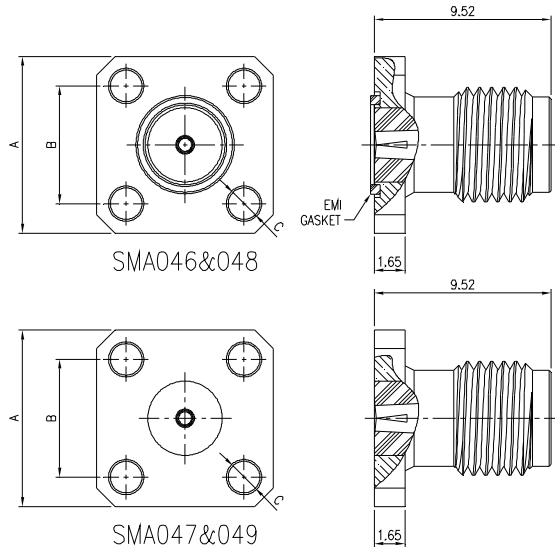
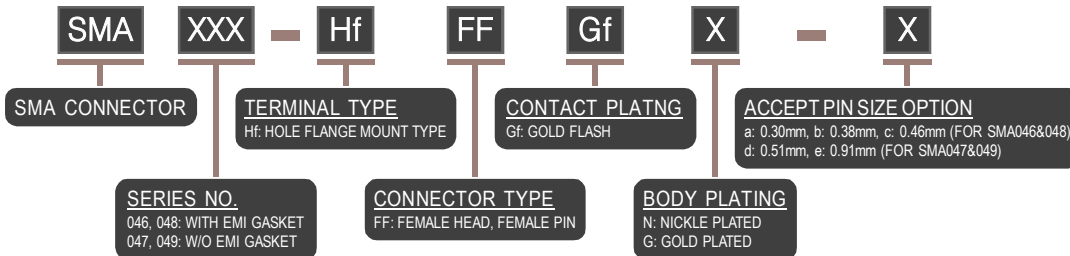
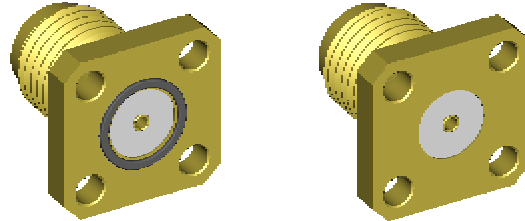
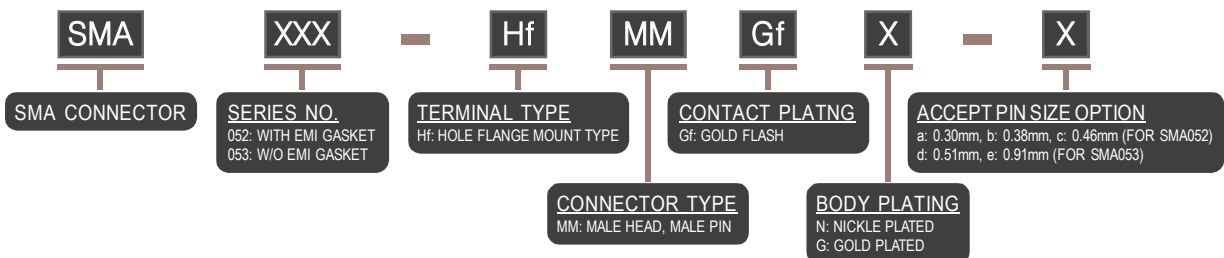
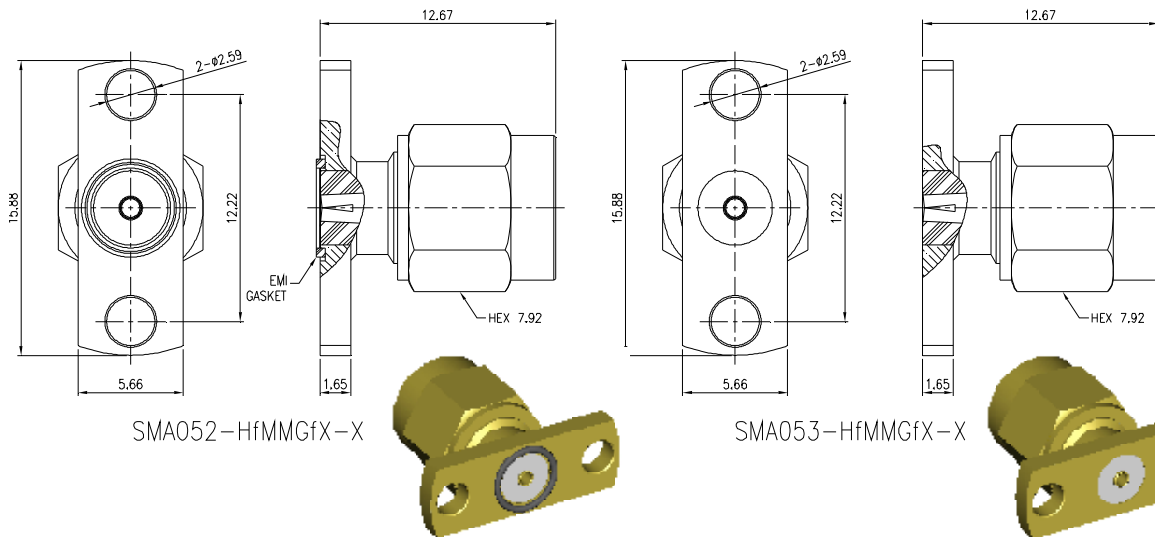


TABLE 1:

PART NO.	DIMENSIONS(mm)		
	A	B	C
SMA046-HfFFGfX-X	12.70	8.64	ø2.59
SMA047-HfFFGfX-X			
SMA048-HfFFGfX-X	9.52	6.35	ø1.70
SMA049-HfFFGfX-X			



SMA CONNECTOR - HOLE FLANGE MOUNT TYPE - Hf



NOTE : SOME SIZES, STYLES AND OPTION ARE NON-STANDARD, NON-CANCELLABLE, NON-RETURNABLE

SMA CONNECTOR - HOLE FLANGE MOUNT TYPE - Hf

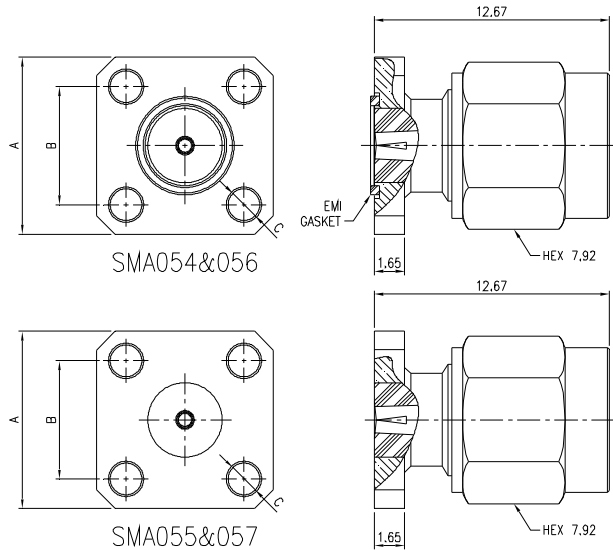
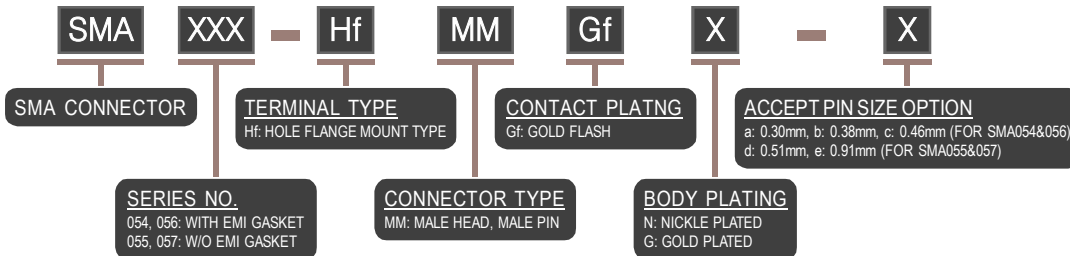
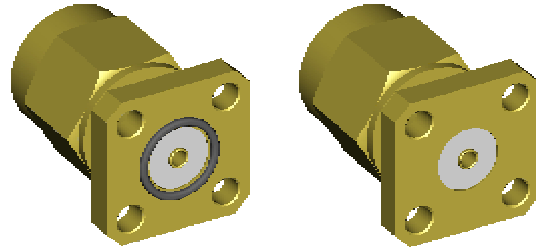
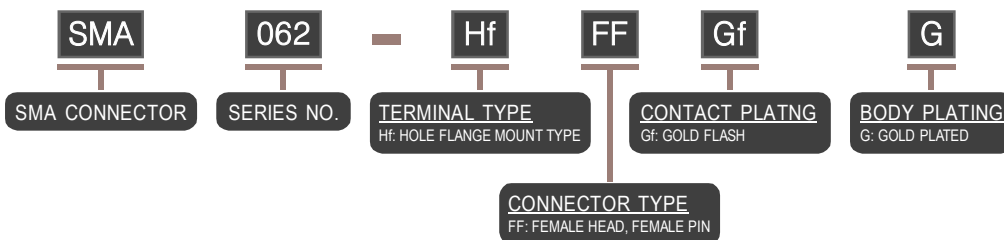
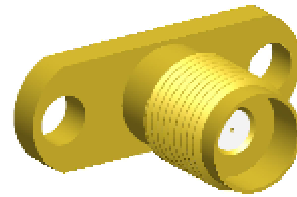
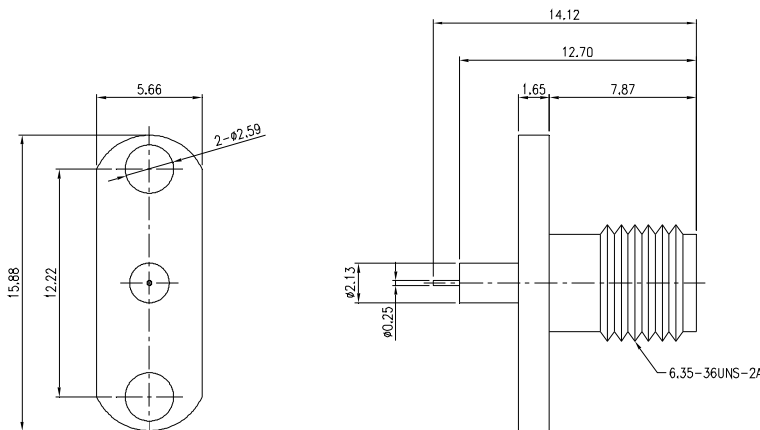


TABLE 1:

PART NO.	DIMENSIONS(mm)		
	A	B	C
SMA054-HfMMGfX-X	12.70	8.64	∅2.59
SMA056-HfMMGfX-X	12.70	8.64	∅2.59
SMA055-HfMMGfX-X	9.52	6.35	∅1.70
SMA057-HfMMGfX-X	9.52	6.35	∅1.70

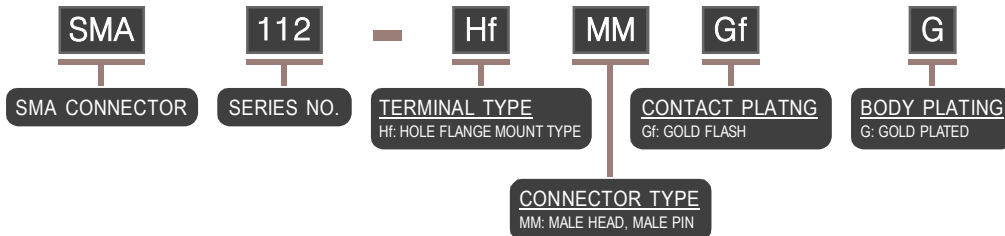
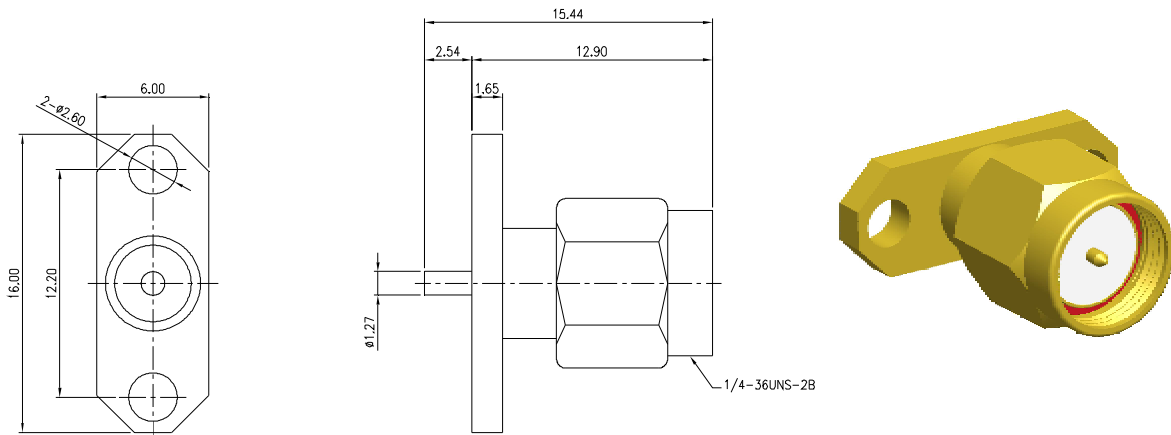


SMA CONNECTOR - HOLE FLANGE MOUNT TYPE - Hf

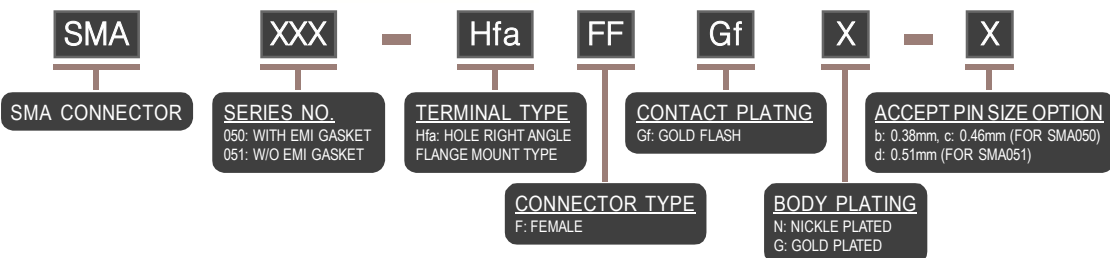
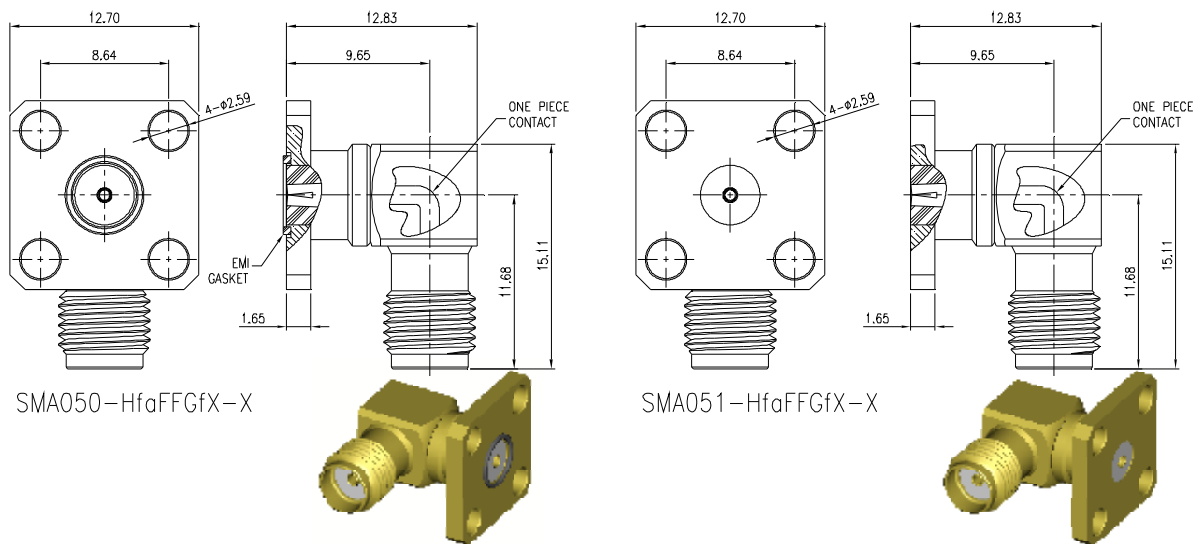


NOTE : SOME SIZES, STYLES AND OPTION ARE NON-STANDARD, NON-CANCELLABLE, NON-RETURNABLE

SMA CONNECTOR - HOLE FLANGE MOUNT TYPE - Hf

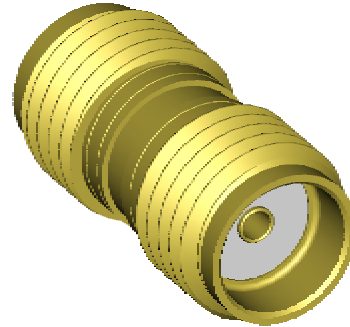
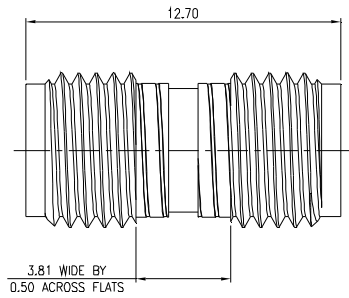


SMA CONNECTOR - HOLE RIGHT ANGLE FLANGE MOUNT TYPE - Hfa



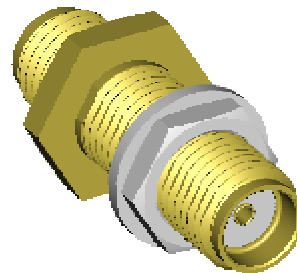
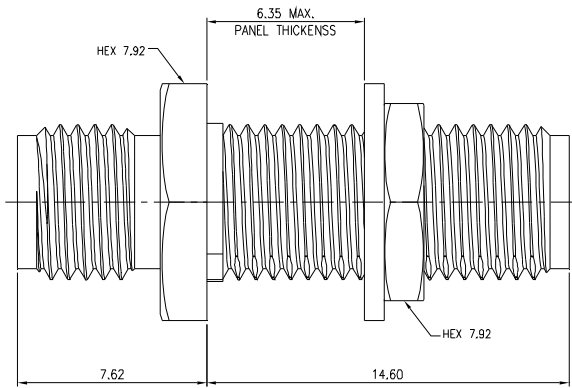
NOTE : SOME SIZES, STYLES AND OPTION ARE NON-STANDARD, NON-CANCELLABLE, NON-RETURNABLE

SMA CONNECTOR - SMA JACK TO SMA JACK ADAPTER



SMA	019	-	FF	FF	Gf	X
SMA CONNECTOR	SERIES NO.		CONNECTOR1 TYPE FF: FEMALE HEAD, FEMALE PIN	CONNECTOR2 TYPE FF: FEMALE HEAD, FEMALE PIN	CONTACT PLATNG Gf: GOLD FLASH	BODY PLATING N: NICKLE PLATED G: GOLD PLATED

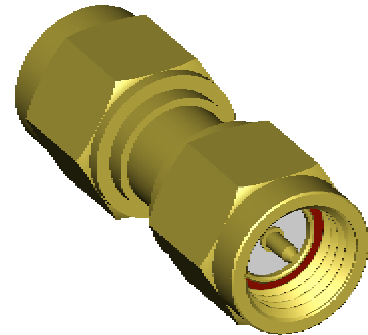
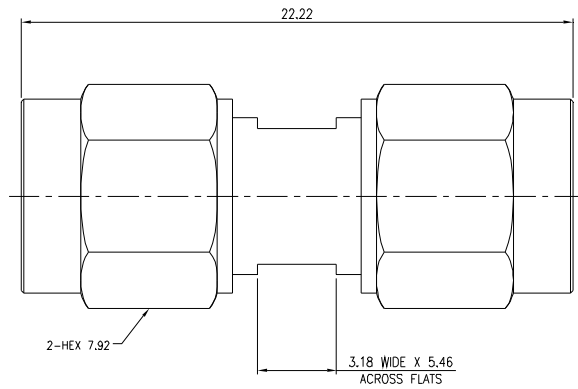
SMA CONNECTOR - SMA JACK TO SMA JACK ADAPTER



SMA	020	-	FF	FF	Gf	X	-	XX
SMA CONNECTOR	SERIES NO.		CONNECTOR1 TYPE FF: FEMALE HEAD, FEMALE PIN	CONNECTOR2 TYPE FF: FEMALE HEAD, FEMALE PIN	CONTACT PLATNG Gf: GOLD FLASH	BODY PLATING N: NICKLE PLATED G: GOLD PLATED		NUT & WASHER OPTION BLANK: WITHOUT NUT & WASHER NW: WITH NUT & WASHER

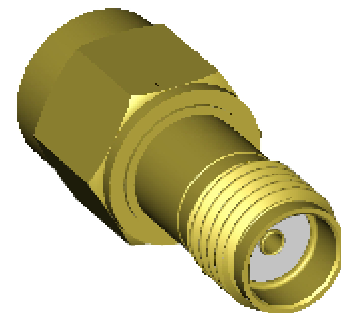
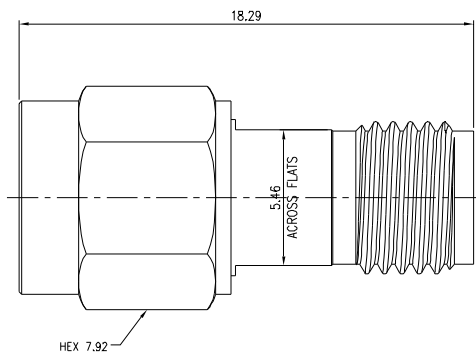
NOTE : SOME SIZES, STYLES AND OPTION ARE NON-STANDARD, NON-CANCELLABLE, NON-RETURNABLE

SMA CONNECTOR - SMA PLUG TO SMA PLUG ADAPTER



SMA	021	MM	MM	Gf	X
SMA CONNECTOR	SERIES NO.	CONNECTOR1 TYPE MM: MALE HEAD, MALE PIN	CONNECTOR2 TYPE MM: MALE HEAD, MALE PIN	CONTACT PLATING Gf: GOLD FLASH	BODY PLATING N: NICKLE PLATED G: GOLD PLATED

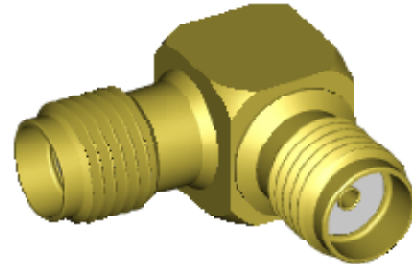
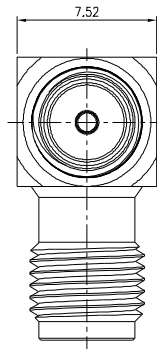
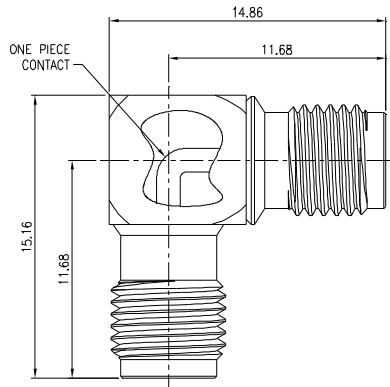
SMA CONNECTOR - SMA PLUG TO SMA JACK ADAPTER



SMA	022	MM	FF	Gf	X
SMA CONNECTOR	SERIES NO.	CONNECTOR1 TYPE MM: MALE HEAD, MALE PIN	CONNECTOR2 TYPE FF: FEMALE HEAD, FEMALE PIN	CONTACT PLATING Gf: GOLD FLASH	BODY PLATING N: NICKLE PLATED G: GOLD PLATED

NOTE : SOME SIZES, STYLES AND OPTION ARE NON-STANDARD, NON-CANCELLABLE, NON-RETURNABLE

SMA CONNECTOR - SMA JACK TO JACK RIGHT ANGLE ADAPTER



SMA

023

FF

FF

Gf

G

SMA CONNECTOR

SERIES NO.

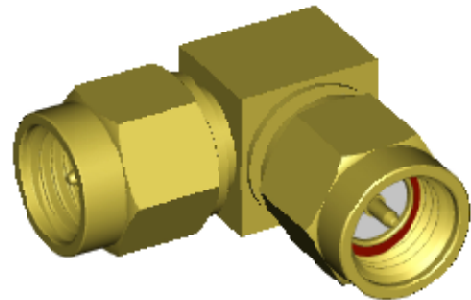
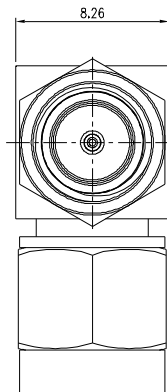
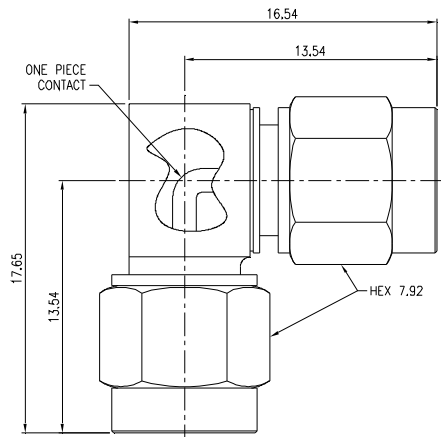
CONNECTOR1 TYPE
FF: FEMALE HEAD, FEMALE PIN

CONNECTOR2 TYPE
FF: FEMALE HEAD, FEMALE PIN

CONTACT PLATNG
Gf: GOLD FLASH

BODY PLATING
G: GOLD PLATED

SMA CONNECTOR - SMA PLUG TO PLUG RIGHT ANGLE ADAPTER



SMA

024

MM

MM

Gf

G

SMA CONNECTOR

SERIES NO.

CONNECTOR1 TYPE
MM: MALE HEAD, MALE PIN

CONNECTOR2 TYPE
MM: MALE HEAD, MALE PIN

CONTACT PLATNG
Gf: GOLD FLASH

BODY PLATING
G: GOLD PLATED

NOTE : SOME SIZES, STYLES AND OPTION ARE NON-STANDARD, NON-CANCELLABLE, NON-RETURNABLE

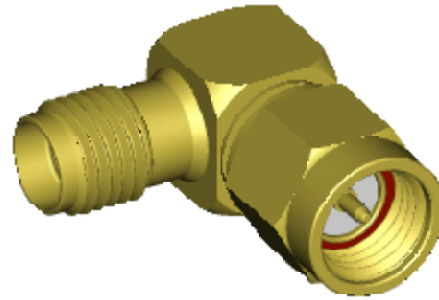
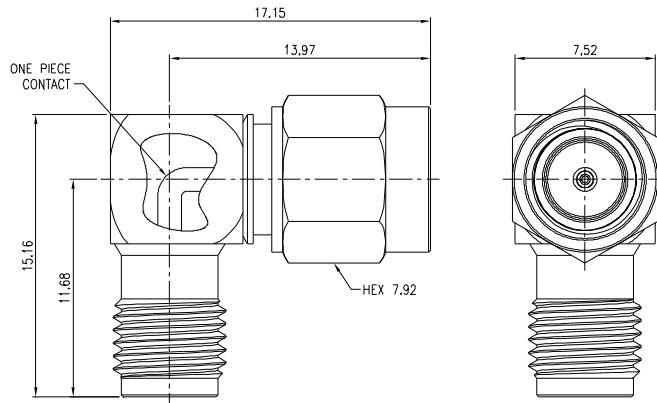
www.mmtmachrone.com

USA TEL : 1-510-979-2188
FAX : 1-510-979-2189

TAIWAN TEL : 886-2-2755-3193
FAX : 886-2-2784-9109

SINGAPORE TEL : 65-6274-0566
FAX : 65-6274-7891

SMA CONNECTOR - SMA PLUG TO SMA JACK RIGHT ANGLE ADAPTER



SMA	025	MM	FF	Gf	G
SMA CONNECTOR	SERIES NO.	CONNECTOR1 TYPE MM: MALE HEAD, MALE PIN	CONNECTOR2 TYPE FF: FEMALE HEAD, FEMALE PIN	CONTACT PLATNG Gf: GOLD FLASH	BODY PLATING G: GOLD PLATED

NOTE : SOME SIZES, STYLES AND OPTION ARE NON-STANDARD, NON-CANCELLABLE, NON-RETURNABLE

www.mmtmachrone.com

USA TEL : 1-510-979-2188
FAX : 1-510-979-2189

TAIWAN TEL : 886-2-2755-3193
FAX : 886-2-2784-9109

SINGAPORE TEL : 65-6274-0566
FAX : 65-6274-7891