

# **MMI** RF COAXIAL CONNECTOR

---

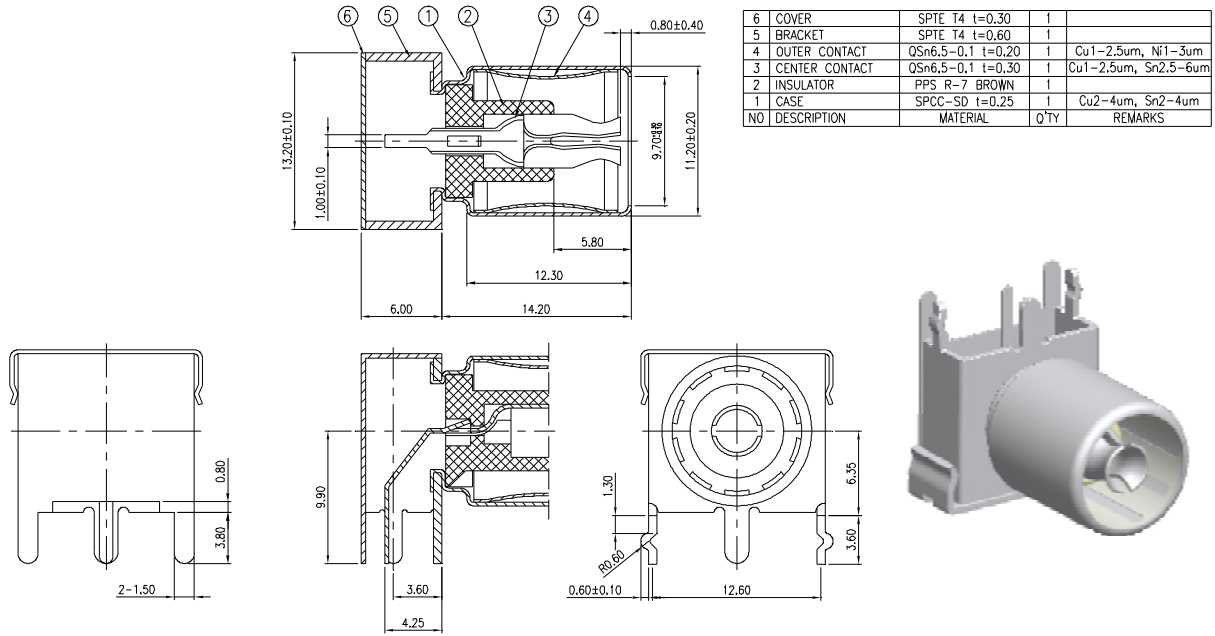
**- IEC -**  
**IEC CONNECTOR**

## **TERMINAL TYPE**

Pa : PCB TYPE, RIGHT ANGLE TYPE

---

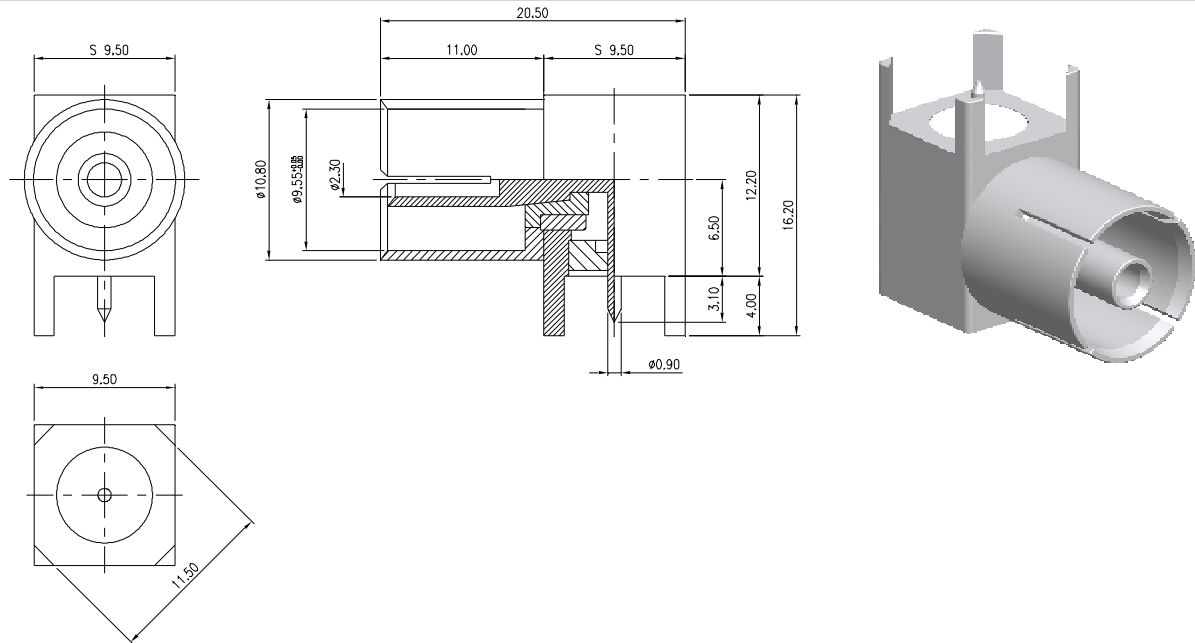
## IEC CONNECTOR - RIGHT ANGLE TYPE - Pa



6	COVER	SPTe T4 t=0.30	1	
5	BRACKET	SPTe T4 t=0.60	1	
4	OUTER CONTACT	QSn6.5-0.1 t=0.20	1	Cu1-2.5um, Ni1-3um
3	CENTER CONTACT	QSn6.5-0.1 t=0.30	1	Cu1-2.5um, Sn2.5-6um
2	INSULATOR	PPS R-7 BROWN	1	
1	CASE	SPCC-SD t=0.25	1	Cu2-4um, Sn2-4um
NO	DESCRIPTION	MATERIAL	QTY	REMARKS

**IEC**      **001**      **Pa**      **F**      **T**      **T**  
 IEC CONNECOTR      SERIES NO.      PCB TYPE Pa: RIGHT ANGLE TYPE      GENDER F: FEMALE      CONTACT PLATING T: TIN PLATING      BODY PLATING T: TIN PLATING

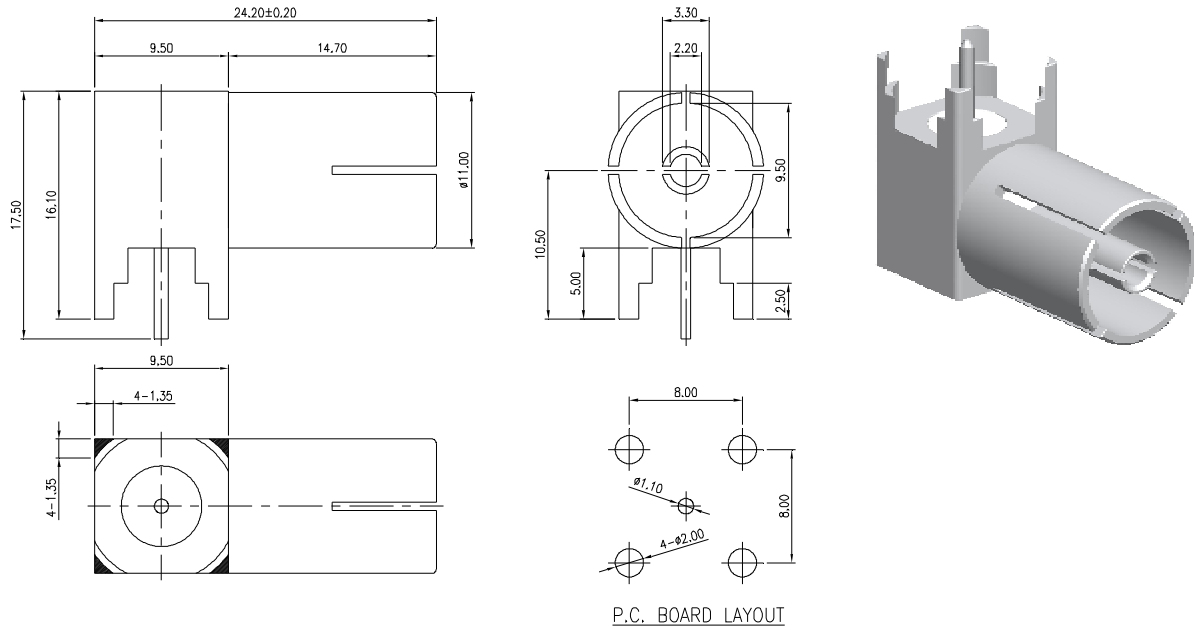
## IEC CONNECTOR - RIGHT ANGLE TYPE - Pa



**IEC**      **003**      **Pa**      **F**      **N**      **N**  
 IEC CONNECOTR      SERIES NO.      PCB TYPE Pa: RIGHT ANGLE TYPE      GENDER F: FEMALE      CONTACT PLATING N: NICKEL PLATING      BODY PLATING N: NICKEL PLATING

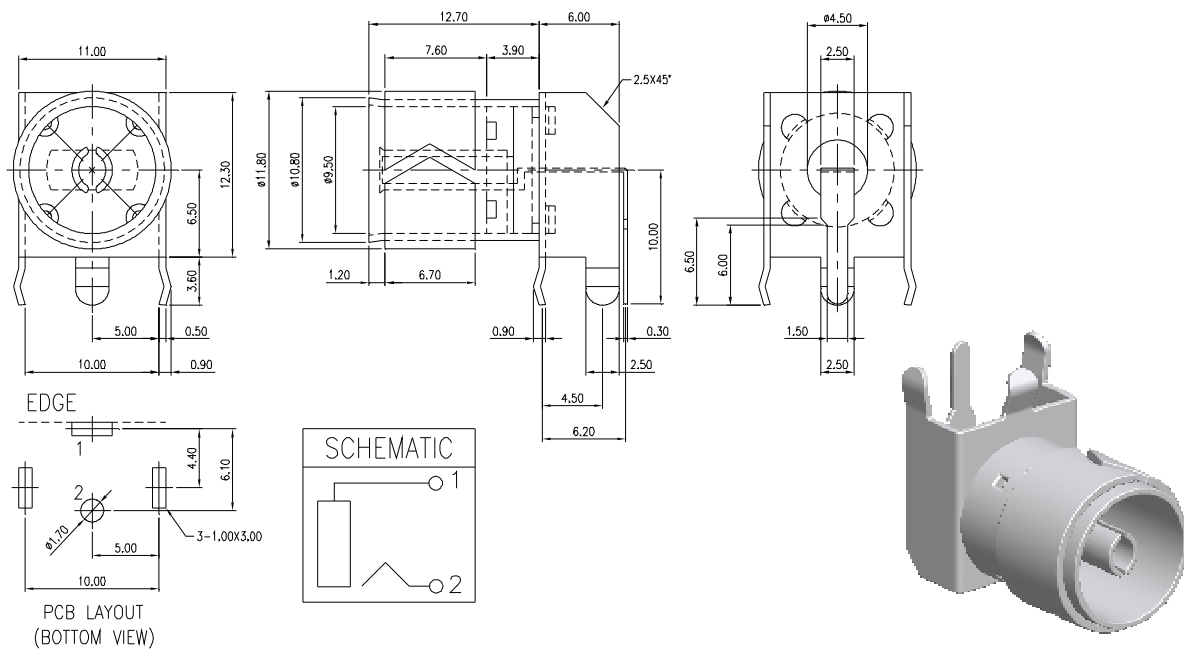
NOTE : SOME SIZES, STYLES AND OPTION ARE NON-STANDARD, NON-CANCELLABLE, NON-RETURNABLE

## IEC CONNECTOR - RIGHT ANGLE TYPE - Pa



<b>IEC</b>	<b>005</b>	<b>Pa</b>	<b>F</b>	<b>N</b>	<b>N</b>
IEC CONNECOTR	SERIES NO.	PCB TYPE Pa: RIGHT ANGLE TYPE	GENDER F: FEMALE	CONTACT PLATING N: NICKEL PLATING	BODY PLATING N: NICKEL PLATING

## IEC CONNECTOR - RIGHT ANGLE TYPE - Pa



<b>IEC</b>	<b>007</b>	<b>Pa</b>	<b>F</b>	<b>T</b>	<b>T</b>
IEC CONNECOTR	SERIES NO.	PCB TYPE Pa: RIGHT ANGLE TYPE	GENDER F: FEMALE	CONTACT PLATING T: TIN PLATING	BODY PLATING T: TIN PLATING

NOTE : SOME SIZES, STYLES AND OPTION ARE NON-STANDARD, NON-CANCELLABLE, NON-RETURNABLE