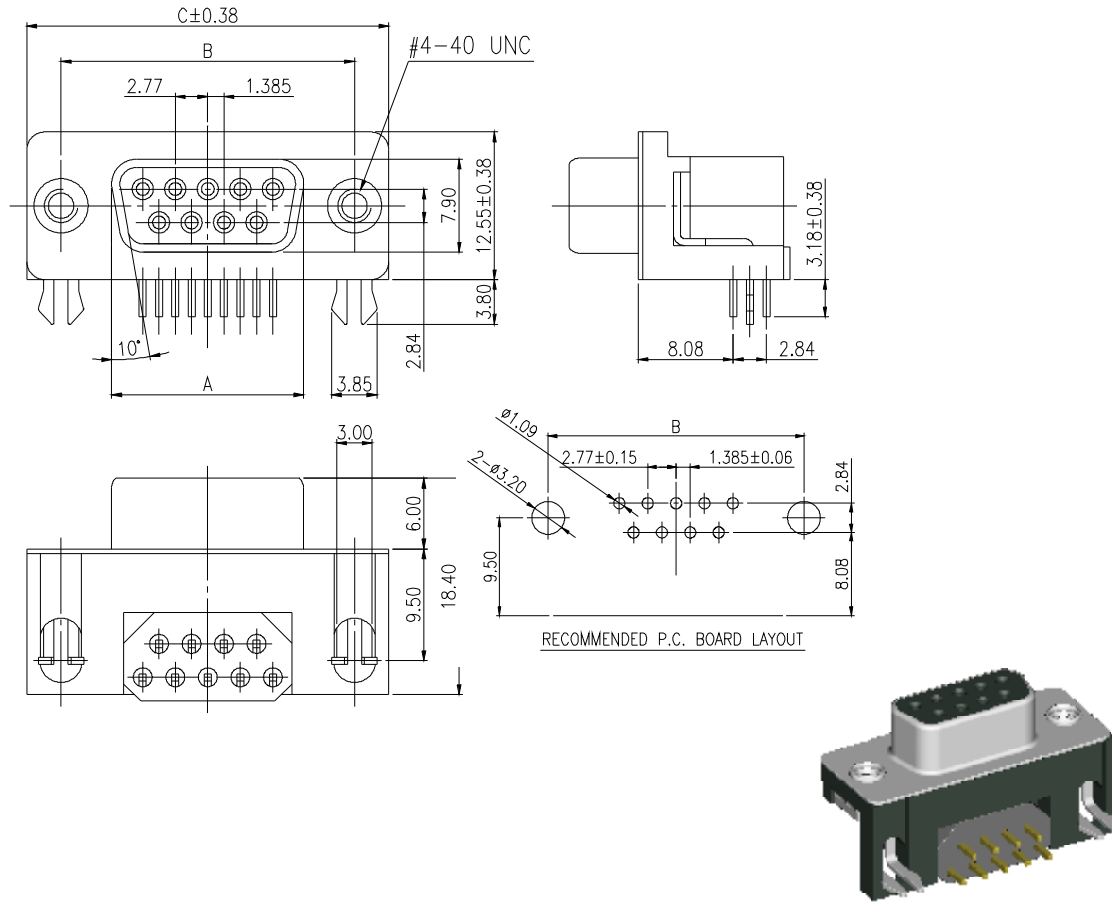


MMI

**EMI D-SUB
CONNECTOR**

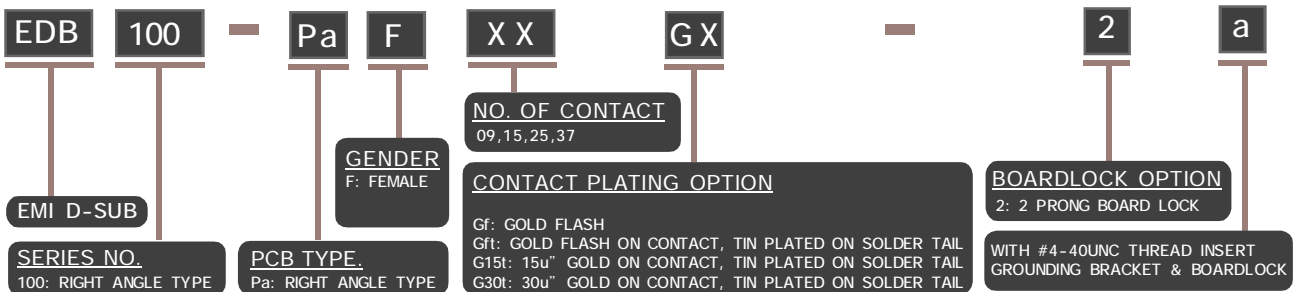
EDB 100 SERIES - *MOUNTING TYPE a* RIGHT ANGLE TYPE - Pa

FEMALE



RECOMMENDED P.C. BOARD LAYOUT

MODEL NO.	NO.OF CONTACTS (SHELL SIZE)	DIMENSION		
		A	B	C
EDB100-PaF09G_-2a	9P	16.30	24.99	30.81
EDB100-PaF15G_-2a	15P	24.66	33.32	39.14
EDB100-PaF25G_-2a	25P	38.38	47.04	53.04
EDB100-PaF37G_-2a	37P	54.83	63.50	69.32



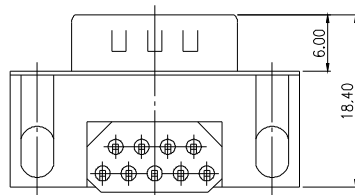
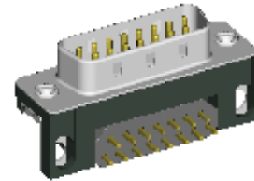
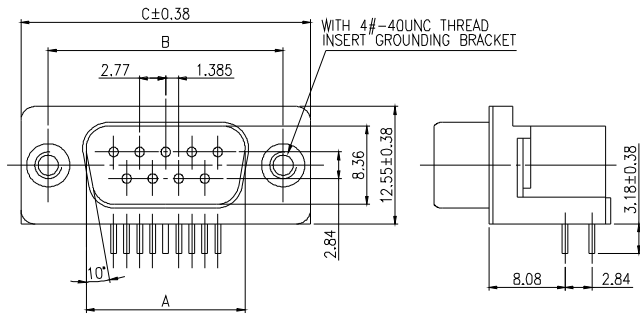
ELECTRICAL CHARACTERISTIC
 CONTACT CURRENT RATING: 3 AMP
 CONTACT RESISTANCE: 25 M OHM MAX.
 INSULATION RESISTANCE: 5000 OHM MIN. AT 500V DC
 DIELECTRIC WITHSTANDING VOLTAGE: AC 1000V / MIN. R.M.S
 OPERATING TEMPERATURE:-55°C~ +105°C

MATERIALS
 INSULATOR: P.B.T. UL 94V-0 RATED
 SHELL: COLD ROLLER STEEL
 CONTACTS: BRASS

NOTE : SOME SIZES, STYLES AND OPTION ARE NON-STANDARD, NON-CANCELLABLE, NON-RETURNABLE

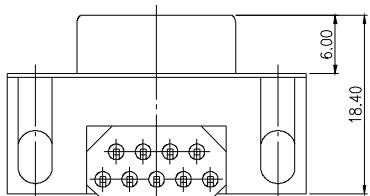
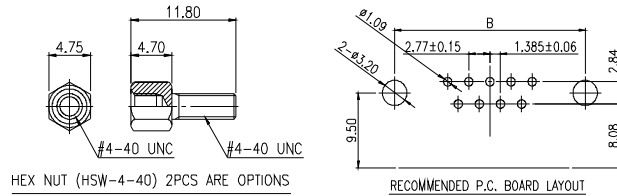
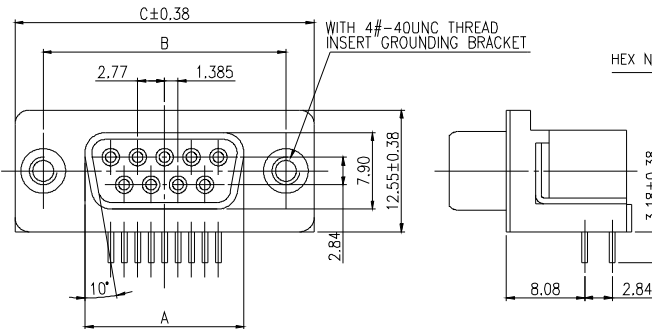
EDB 100 SERIES - MOUNTING TYPE *b* RIGHT ANGLE TYPE - Pa

MALE



MODEL NO.	NO.OF CONTACTS (SHELL SIZE)	DIMENSION		
		A	B	C
EDB100-PaM09G_-b	9P	16.92	24.99	30.81
EDB100-PaM15G_-b	15P	25.25	33.32	39.14
EDB100-PaM25G_-b	25P	38.96	47.04	53.04
EDB100-PaM37G_-b	37P	55.42	63.50	69.32

FEMALE



MODEL NO.	NO.OF CONTACTS (SHELL SIZE)	DIMENSION		
		A	B	C
EDB100-PaF09G_-b	9P	16.30	24.99	30.81
EDB100-PaF15G_-b	15P	24.66	33.32	39.14
EDB100-PaF25G_-b	25P	38.38	47.04	53.04
EDB100-PaF37G_-b	37P	54.83	63.50	69.32



EDB **100** - **Pa** **X** **XX** **GX** - **b**

<p>EMI D-SUB</p> <p>SERIES NO. 100: RIGHT ANGLE TYPE</p>	<p>PCB TYPE. Pa: RIGHT ANGLE TYPE</p>	<p>GENDER M: MALE F: FEMALE</p>	<p>NO. OF CONTACT 09, 15, 25, 37,</p> <p>CONTACT PLATING OPTION Gf: GOLD FLASH Gf1: GOLD FLASH ON CONTACT, TIN PLATED ON SOLDER TAIL G15t: 15u" GOLD ON CONTACT, TIN PLATED ON SOLDER TAIL G30t: 30u" GOLD ON CONTACT, TIN PLATED ON SOLDER TAIL</p>	<p>MOUNTING TYPE b: WITH #4-40UNC THREAD INSERT GROUNDING BRACKET</p>
--	--	--	--	--

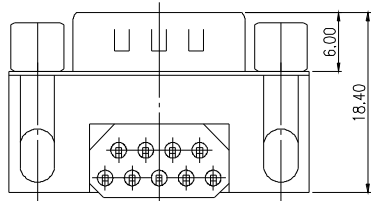
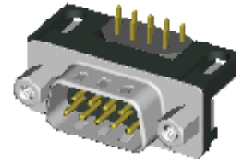
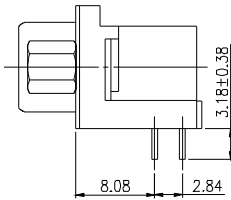
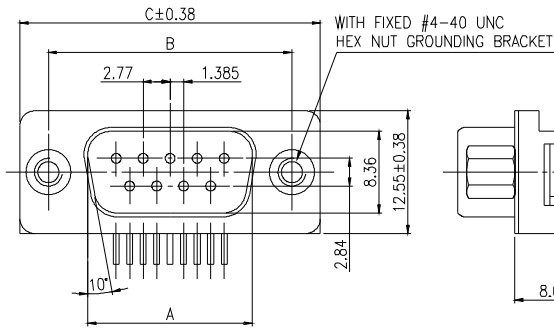
ELECTRICAL CHARACTERISTIC
 CONTACT CURRENT RATING: 3 AMP
 CONTACT RESISTANCE: 25 M OHM MAX.
 INSULATION RESISTANCE: 5000 OHM MIN. AT 500V DC
 DIELECTRIC WITHSTANDING VOLTAGE: AC 1000V / MIN. R.M.S
 OPERATING TEMPERATURE:-55°C~ +105°C

MATERIALS
 INSULATOR: P.B.T. UL 94V-0 RATED
 SHELL: COLD ROLLER STEEL
 CONTACTS: BRASS

NOTE : SOME SIZES, STYLES AND OPTION ARE NON-STANDARD, NON-CANCELLABLE, NON-RETURNABLE

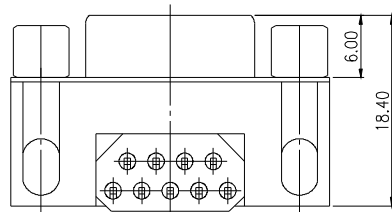
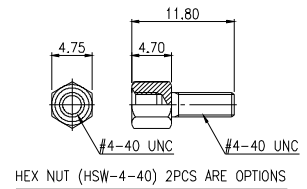
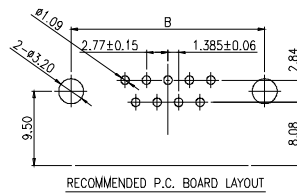
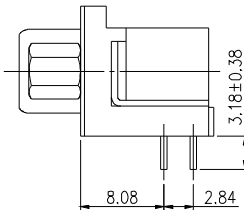
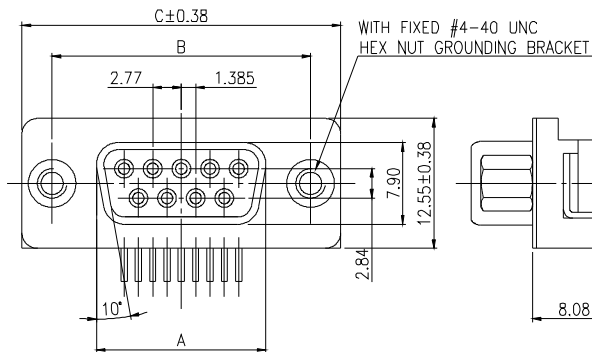
EDB 100 SERIES - *MOUNTING TYPE d* RIGHT ANGLE TYPE - Pa

MALE

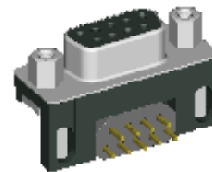


MODEL NO.	NO.OF CONTACTS (SHELL SIZE)	DIMENSION		
		A	B	C
EDB100-PaM09G-D	9P	16.92	24.99	30.81
EDB100-PaM15G-D	15P	25.25	33.32	39.14
EDB100-PaM25G-D	25P	38.96	47.04	53.04
EDB100-PaM37G-D	37P	55.42	63.50	69.32

FEMALE



MODEL NO.	NO.OF CONTACTS (SHELL SIZE)	DIMENSION		
		A	B	C
EDB100-PaF09G-D	9P	16.30	24.99	30.81
EDB100-PaF15G-D	15P	24.66	33.32	39.14
EDB100-PaF25G-D	25P	38.38	47.04	53.04
EDB100-PaF37G-D	37P	54.83	63.50	69.32



EDB **100** - **Pa** **X** **XX** **GX** - **d**

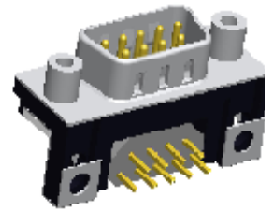
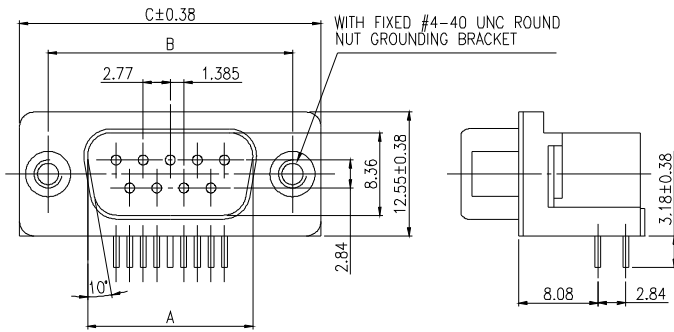
<p>EMI D-SUB</p> <p>SERIES NO. 100: RIGHT ANGLE TYPE</p>	<p>PCB TYPE. Pa: RIGHT ANGLE TYPE</p>	<p>GENDER M: MALE F: FEMALE</p>	<p>NO. OF CONTACT 09, 15, 25, 37</p> <p>CONTACT PLATING OPTION Gf: GOLD FLASH Gf1: GOLD FLASH ON CONTACT, TIN PLATED ON SOLDER TAIL G15t: 15u" GOLD ON CONTACT, TIN PLATED ON SOLDER TAIL G30t: 30u" GOLD ON CONTACT, TIN PLATED ON SOLDER TAIL</p>	<p>MOUNTING TYPE d: WITH FIXED #4-40UNC HEX NUT GROUNDING BRACKET</p>
--	--	--	---	--

<p>ELECTRICAL CHARACTERISTIC CONTACT CURRENT RATING: 3 AMP CONTACT RESISTANCE: 25 M OHM MAX. INSULATION RESISTANCE: 5000 OHM MIN. AT 500V DC DIELECTRIC WITHSTANDING VOLTAGE: AC 1000V / MIN. R.M.S OPERATING TEMPERATURE:-55°C~ +105°C</p>	<p>MATERIALS INSULATOR: P.B.T. UL 94V-0 RATED SHELL: COLD ROLLER STEEL CONTACTS: BRASS</p>
--	---

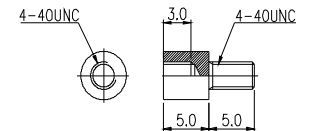
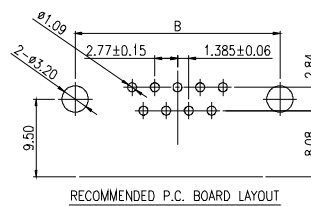
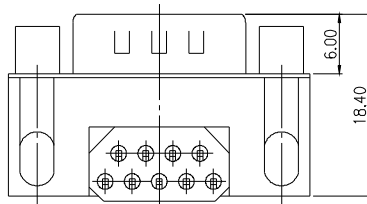
NOTE : SOME SIZES, STYLES AND OPTION ARE NON-STANDARD, NON-CANCELLABLE, NON-RETURNABLE

EDB 100 SERIES - *MOUNTING TYPE rd* RIGHT ANGLE TYPE - Pa

MALE

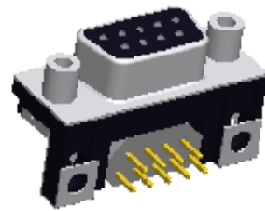
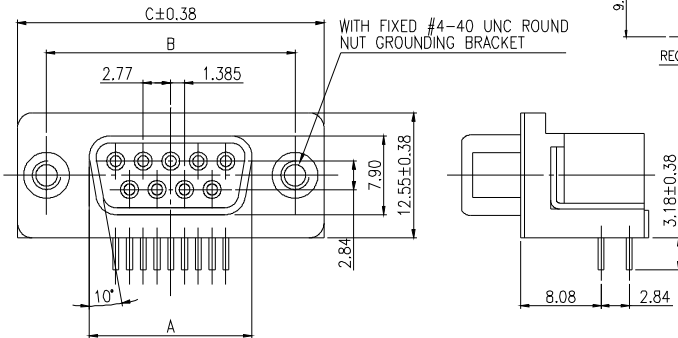


MODEL NO.	NO.OF CONTACTS (SHELL SIZE)	DIMENSION		
		A	B	C
EDB100-PaM09G_-RD	9P	16.92	24.99	30.81
EDB100-PaM15G_-RD	15P	25.25	33.32	39.14
EDB100-PaM25G_-RD	25P	38.96	47.04	53.04
EDB100-PaM37G_-RD	37P	55.42	63.50	69.32

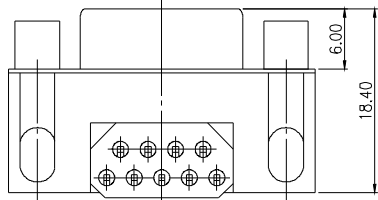


ROUND NUT (RSW-4-40) 2PCS ARE OPTION!

FEMALE



MODEL NO.	NO.OF CONTACTS (SHELL SIZE)	DIMENSION		
		A	B	C
EDB100-PaF09G_-RD	9P	16.30	24.99	30.81
EDB100-PaF15G_-RD	15P	24.66	33.32	39.14
EDB100-PaF25G_-RD	25P	38.38	47.04	53.04
EDB100-PaF37G_-RD	37P	54.83	63.50	69.32



EDB **100** - **Pa** **X** **XX** **GX** - **rd**

EMI D-SUB

SERIES NO.
100: RIGHT ANGLE TYPE

PCB TYPE.
Pa: RIGHT ANGLE TYPE

GENDER
M: MALE
F: FEMALE

NO. OF CONTACT
09, 15, 25, 37

CONTACT PLATING OPTION

Gf: GOLD FLASH
Gft: GOLD FLASH ON CONTACT, TIN PLATED ON SOLDER TAIL
G15t: 15u" GOLD ON CONTACT, TIN PLATED ON SOLDER TAIL
G30t: 30u" GOLD ON CONTACT, TIN PLATED ON SOLDER TAIL

MOUNTING TYPE
rd: WITH FIXED #4-40UNC ROUND NUT GROUNDING BRACKET

ELECTRICAL CHARACTERISTIC

CONTACT CURRENT RATING: 3 AMP
CONTACT RESISTANCE: 25 M OHM MAX.
INSULATION RESISTANCE: 5000 OHM MIN. AT 500V DC
DIELECTRIC WITHSTANDING VOLTAGE: AC 1000V / MIN. R.M.S
OPERATING TEMPERATURE:-55°C~ +105°C

MATERIALS

INSULATOR: P.B.T. UL 94V-0 RATED
SHELL: COLD ROLLER STEEL
CONTACTS: BRASS

NOTE : SOME SIZES, STYLES AND OPTION ARE NON-STANDARD, NON-CANCELLABLE, NON-RETURNABLE

www.mmtmachrone.com

USA TEL : 1-510-979-2188
FAX : 1-510-979-2189

TAIWAN TEL : 886-2-2755-3193
FAX : 886-2-2784-5109

SINGAPORE TEL : 65-6274-0566
FAX : 65-6274-7891