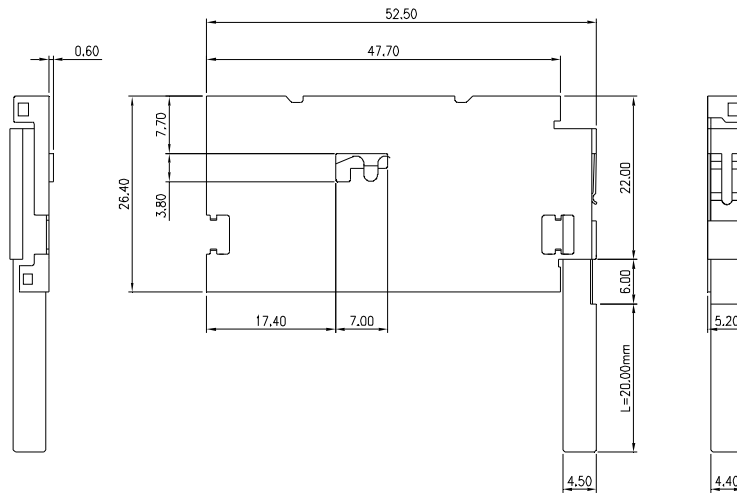


MMI

**COMPACT FLASH
CARD CONNECTOR**

CF CARD CONNECTOR - RIGHT ANGLE SURFACE MOUNT TYPE - Rt

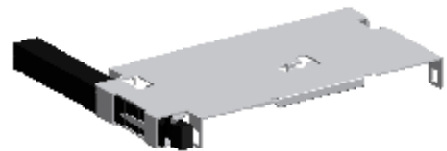


CFC
 CF CARD CONNECTOR

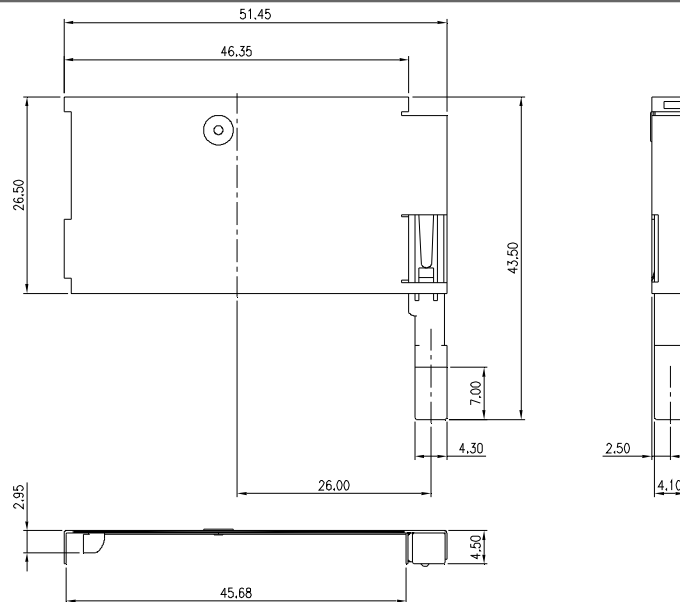
003
 SERIES NO.

E
 EJECTOR

20
 BUTTON LENGTH
 20: 20mm



CF CARD CONNECTOR - RIGHT ANGLE SURFACE MOUNT TYPE - Rt



CFC
 CF CARD CONNECTOR

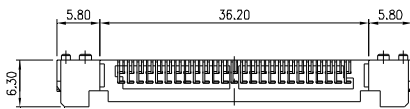
004
 SERIES NO.

E
 EJECTOR

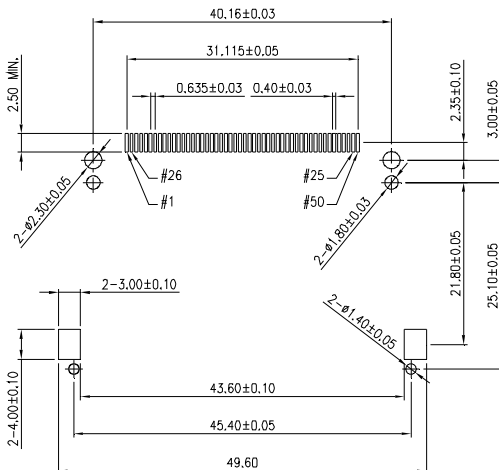
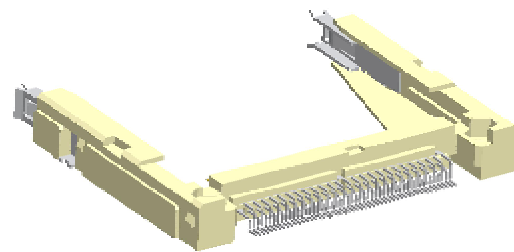
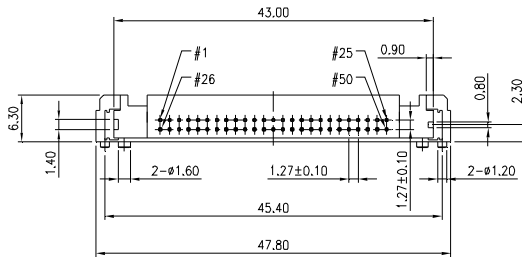
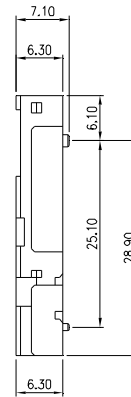
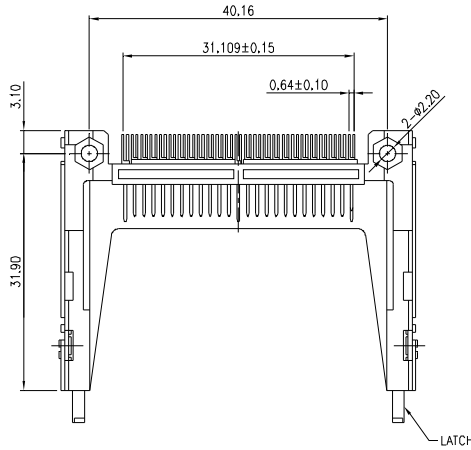


NOTE : SOME SIZES, STYLES AND OPTION ARE NON-STANDARD, NON-CANCELLABLE, NON-RETURNABLE

CF CARD CONNECTOR - RIGHT ANGLE SURFACE MOUNT TYPE - Rt



PIN TYPE	DIM.L	PIN NO.
DETECT	3.50	25, 26
GENERAL	4.25	ALL OTHER PINS
POWER	5.00	1, 13, 38, 50



PCB LAYOUT

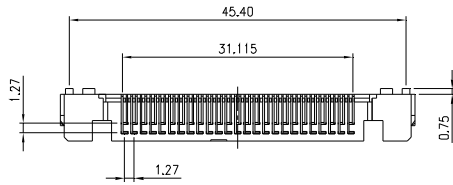
SPECIFICATIONS

MATERIAL:
 INSULATOR: GLASS REINFORCED LCP, UL 94V-0
 CONTACT: BRASS
 MOUNT EAR: BRASS, TIN/LEAD PLATED OVERALL
 CONTACT PLATING:
 CONTACT AREA: GOLD FLASH PLATING OVER 40u" NICKEL
 SOLDER TAIL AREA: 100u" TIN/LEAD PLATING OVER 40u" NICKEL

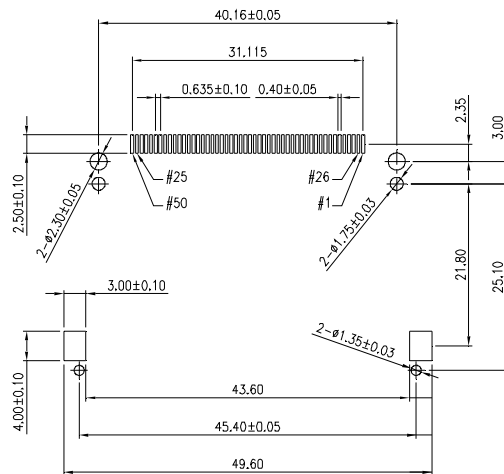
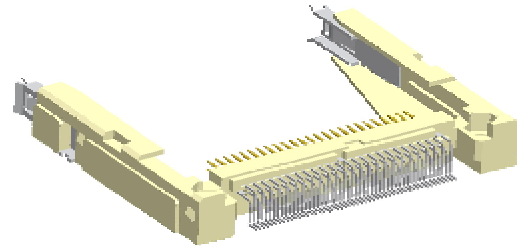
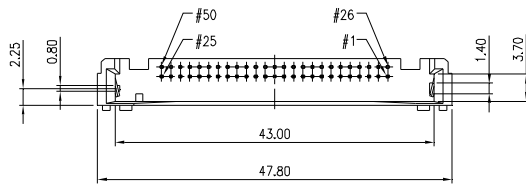
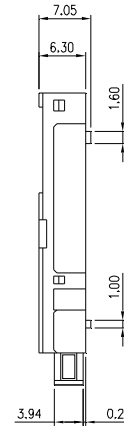
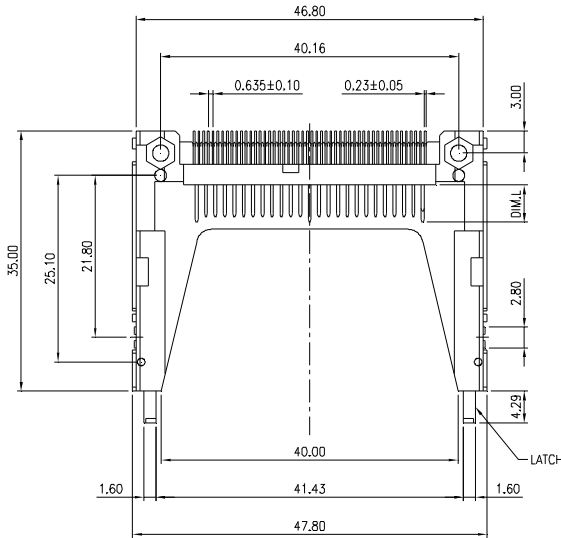
CFC	003	Rt	M	50	GX	AX	X
CF CARD CONNECTOR	SERIES NO.	PCB TYPE Rt: RIGHT ANGLE SURFACE MOUNT TYPE	CONTACT TYPE M: MALE	NO. OF CONTACTS	CONTACT PLATING OPTION Gt: GOLD FLASH ON CONTACT, TIN PLATED ON SOLDER TAIL G30t: 30u" GOLD ON CONTACT, TIN PLATED ON SOLDER TAIL G50t: 50u" GOLD ON CONTACT, TIN PLATED ON SOLDER TAIL	TOP MOUNT TYPE A: DIM. L= 7.05mm A1: DIM. L= 8.50mm	LATCH OPTION BLANK: WITHOUT LATCH L: WITH LATCH

NOTE : SOME SIZES, STYLES AND OPTION ARE NON-STANDARD, NON-CANCELLABLE, NON-RETURNABLE

CF CARD CONNECTOR - RIGHT ANGLE SURFACE MOUNT TYPE - Rt



PIN TYPE	DIM.L	PIN NO.
DETECT	3.50	1, 13, 38, 50
GENERAL	4.25	ALL OTHER PINS
POWER	5.00	25, 26



PCB LAYOUT

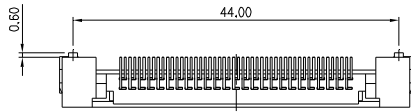
SPECIFICATIONS

MATERIAL:
 INSULATOR: GLASS REINFORCED LCP, UL 94V-0
 CONTACT: BRASS
 MOUNT EAR: BRASS, TIN/LEAD PLATED OVERALL
 CONTACT PLATING:
 CONTACT AREA: GOLD FLASH PLATING OVER 40µ" NICKEL
 SOLDER TAIL AREA: 100µ" TIN/LEAD PLATING OVER 40µ" NICKEL

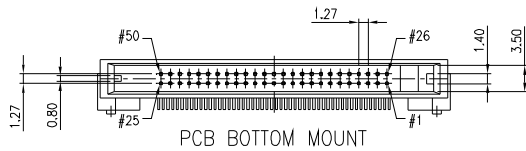
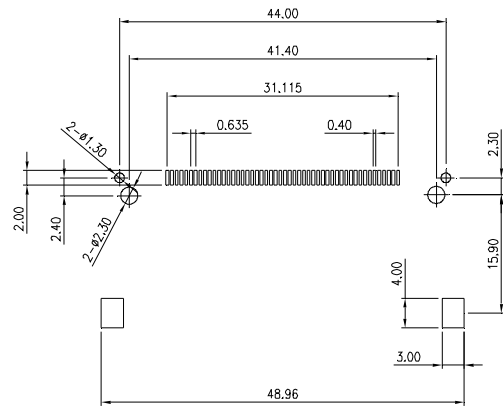
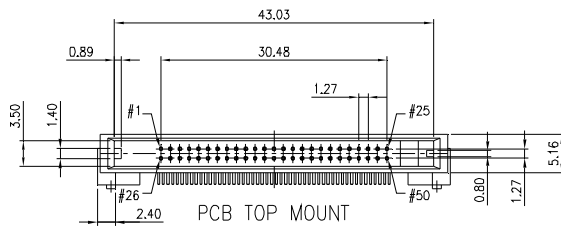
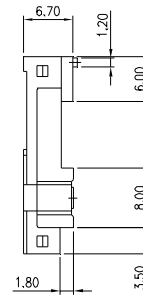
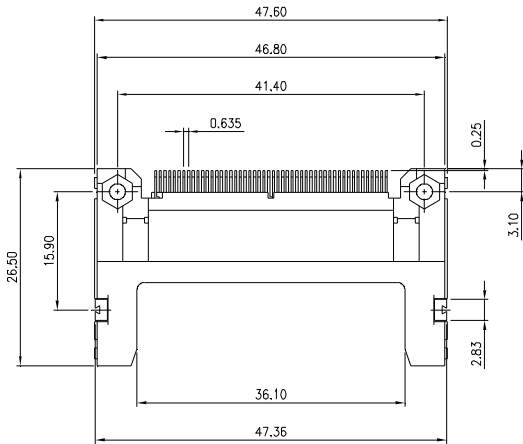
CFC	003	Rt	M	50	GX	B	X
CF CARD CONNECTOR	SERIES NO.	PCB TYPE Rt: RIGHT ANGLE SURFACE MOUNT TYPE	CONTACT TYPE M: MALE	NO. OF CONTACTS	CONTACT PLATING OPTION Gt: GOLD FLASH ON CONTACT, TIN PLATED ON SOLDER TAIL G30t: 30µ" GOLD ON CONTACT, TIN PLATED ON SOLDER TAIL G50t: 50µ" GOLD ON CONTACT, TIN PLATED ON SOLDER TAIL	PCB MOUNT TYPE B: PCB BOTTOM MOUNT	LATCH OPTION BLANK: WITHOUT LATCH L: WITH LATCH

NOTE : SOME SIZES, STYLES AND OPTION ARE NON-STANDARD, NON-CANCELLABLE, NON-RETURNABLE

CF CARD CONNECTOR - RIGHT ANGLE SURFACE MOUNT TYPE - Rt

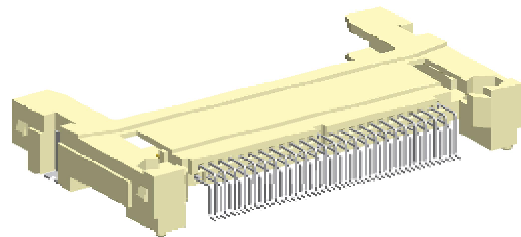


PIN TYPE	DIM.L	PIN NO.(TOP MOUNT)	PIN NO.(BOTTOM MOUNT)
DETECT	3.50	25, 26	1, 13, 38, 50
GENERAL	4.25	ALL OTHER PINS	ALL OTHER PINS
POWER	5.00	1, 13, 38, 50	25, 26



SPECIFICATIONS

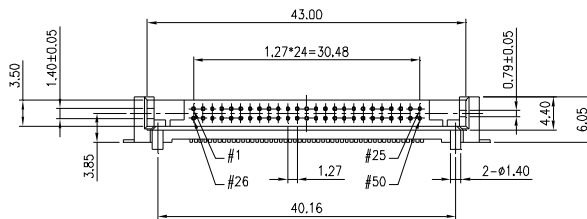
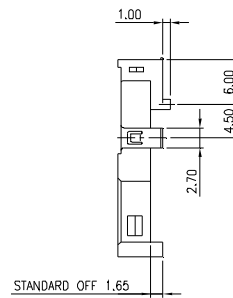
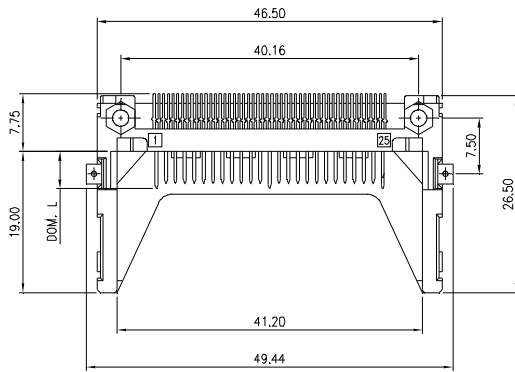
MATERIAL:
 INSULATOR: GLASS REINFORCED LCP, UL 94V-0
 CONTACT: BRASS
 MOUNT EAR: BRASS, TIN/LEAD PLATED OVERALL
 CONTACT PLATING:
 CONTACT AREA: GOLD FLASH PLATING OVER 40u" NICKEL
 SOLDER TAIL AREA: 100u" TIN/LEAD PLATING OVER 40u" NICKEL



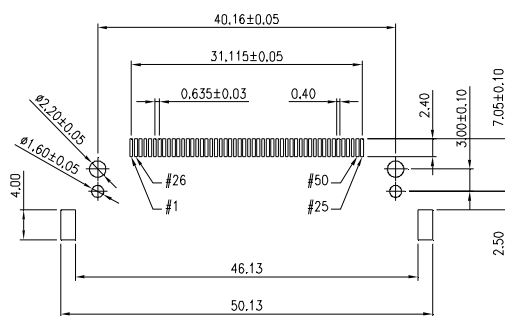
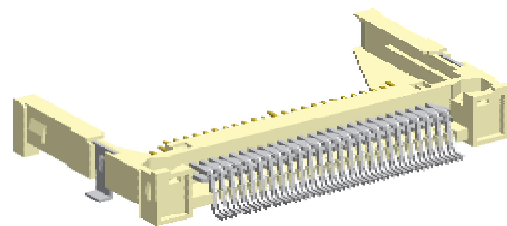
CFC	004	Rt	M	50	G15t	X
CF CARD CONNECTOR	SERIES NO.	PCB TYPE Rt: RIGHT ANGLE SURFACE MOUNT TYPE	CONTACT TYPE M: MALE	NO. OF CONTACTS	CONTACT PLATING G15t: 15u" GOLD ON CONTACT, TIN PLATED ON SOLDER TAIL	PCB MOUNT TYPE A: PCB TOP MOUNT B: PCB BOTTOM MOUNT

NOTE : SOME SIZES, STYLES AND OPTION ARE NON-STANDARD, NON-CANCELLABLE, NON-RETURNABLE

CF CARD CONNECTOR - RIGHT ANGLE SURFACE MOUNT TYPE - Rt



PIN TYPE	DIM.L	PIN NO.
DETECT	3.50	25, 26
GENERAL	4.25	ALL OTHER PINS
POWER	5.00	1, 13, 38, 50



PCB LAYOUT

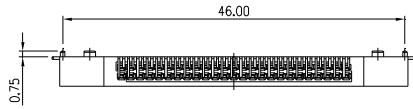
SPECIFICATIONS

MATERIAL:
 INSULATOR: GLASS REINFORCED LCP UL 94V-0
 CONTACT: COPPER ALLOY
 MOUNT EAR: COPPER ALLOY
 CONTACT PLATING:
 UNDER PLATING: NICKEL OVERALL
 CONTACT AREA: 10 μ GOLD
 SOLDER TAIL AREA: TIN/LEAD
 MOUNT EAR AREA: TIN/LEAD

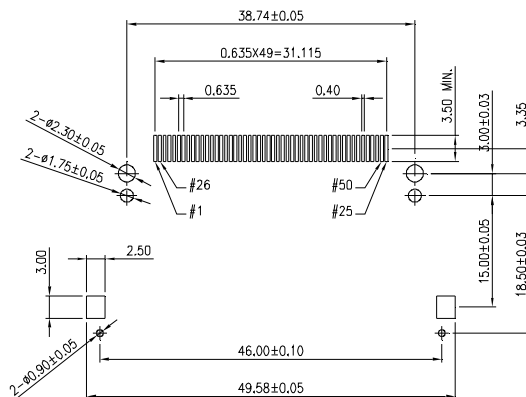
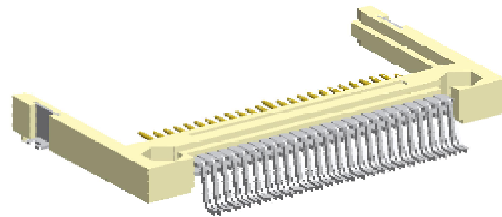
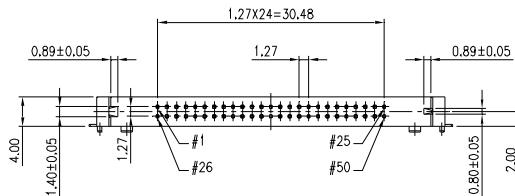
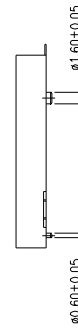
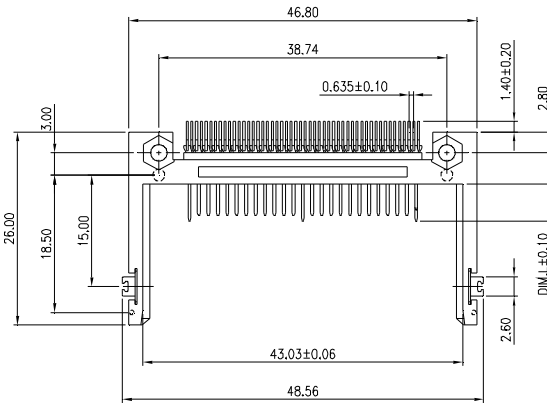
CFC	006	-	Rt	50	-	Gft	-	A
CF CARD CONNECTOR	SERIES NO.		PCB TYPE Rt: RIGHT ANGLE SURFACE MOUNT TYPE	NO. OF CONTACTS		CONTACT PLATING Gft: GOLD FLASH ON CONTACT, TIN PLATED ON SOLDER TAIL		PCB MOUNT TYPE A: PCB TOP MOUNT

NOTE : SOME SIZES, STYLES AND OPTION ARE NON-STANDARD, NON-CANCELLABLE, NON-RETURNABLE

CF CARD CONNECTOR - RIGHT ANGLE SURFACE MOUNT TYPE - Rt



PIN TYPE	DIM.L	PIN NO.
DETECT	3.50	25, 26
GENERAL	4.25	ALL OTHER PINS
POWER	5.00	1, 13, 38, 50



PCB LAYOUT

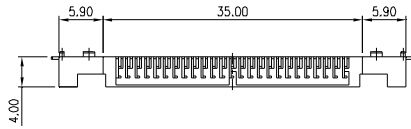
SPECIFICATIONS

MATERIAL:
 INSULATOR: GLASS REINFORCED LCP UL 94V-0 - LCP-E130A
 CONTACT: BRASS ALLOY
 MOUNT EAR: BRASS, TIN/LEAD PLATED OVERALL
 CONTACT PLATING:
 UNDERPLATED: 50u" NICKEL
 CONTACT AREA: 15u" SELECTIVE GOLD
 SOLDER TAIL AREA: 100u" TIN/LEAD

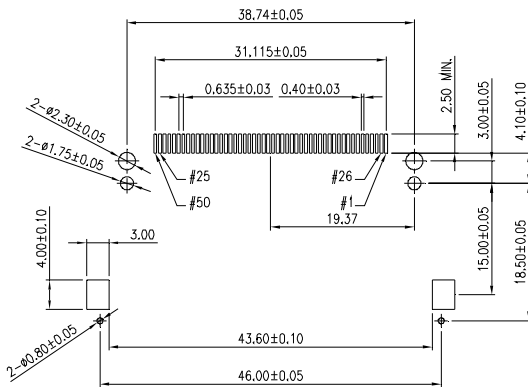
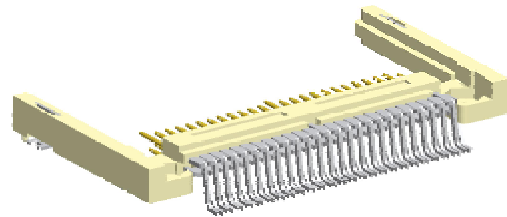
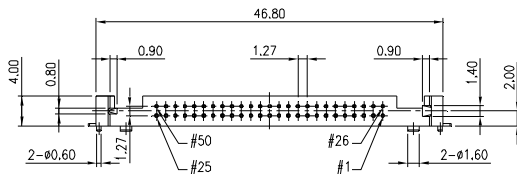
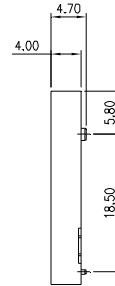
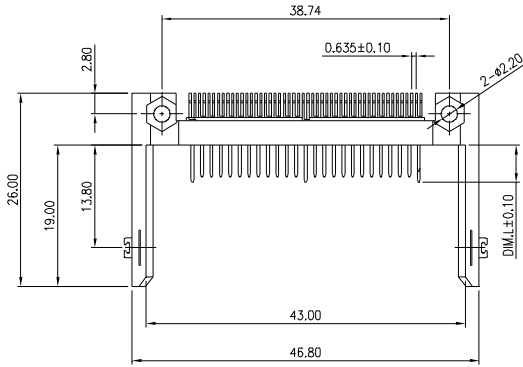
CFC	008	Rt	50	GX	A
CF CARD CONNECTOR	SERIES NO.	PCB TYPE Rt: RIGHT ANGLE SURFACE MOUNT TYPE	NO. OF CONTACTS	CONTACT PLATING G15: 15u" GOLD ON CONTACT, TIN PLATED ON SOLDER TAIL G30: 30u" GOLD ON CONTACT, TIN PLATED ON SOLDER TAIL G50: 50u" GOLD ON CONTACT, TIN PLATED ON SOLDER TAIL	PCB MOUNT TYPE A: PCB TOP MOUNT

NOTE : SOME SIZES, STYLES AND OPTION ARE NON-STANDARD, NON-CANCELLABLE, NON-RETURNABLE

CF CARD CONNECTOR - RIGHT ANGLE SURFACE MOUNT TYPE - Rt



PIN TYPE	DIM.L	PIN NO.
DETECT	3.50	1, 13, 38, 50
GENERAL	4.25	ALL OTHER PINS
POWER	5.00	25, 26



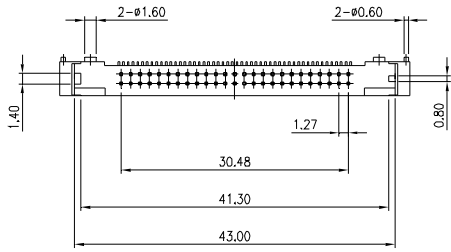
PCB LAYOUT

SPECIFICATIONS
 MATERIAL:
 INSULATOR: GLASS REINFORCED LCP, UL 94V-0
 CONTACT: BRASS ALLOY
 MOUNT EAR: BRASS, TIN PLATED OVERALL
 CONTACT PLATING:
 CONTACT AREA: GOLD PLATING OVER 40u" NICKEL
 SOLDER TAIL AREA: 100u" TIN PLATING OVER 40u" NICKEL

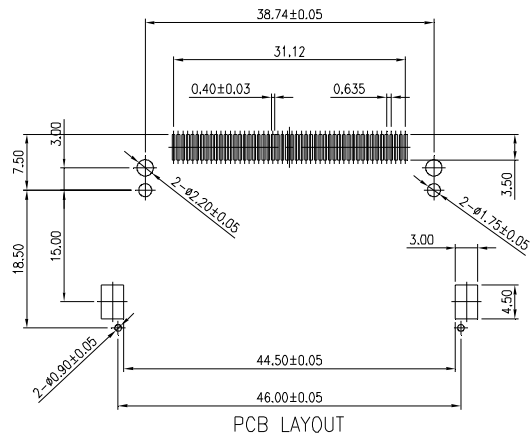
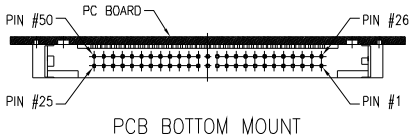
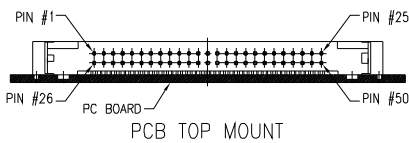
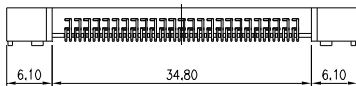
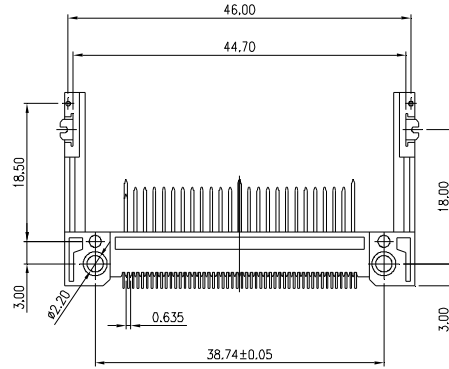
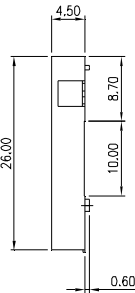
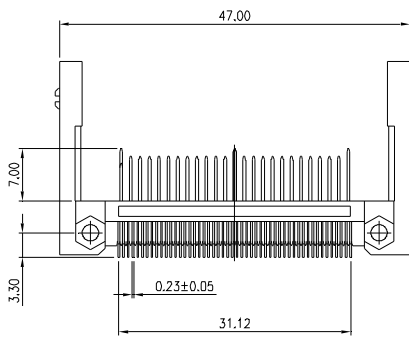
CFC	008	-	Rt	50	-	GX	-	B
CF CARD CONNECTOR	SERIES NO.		PCB TYPE Rt: RIGHT ANGLE SURFACE MOUNT TYPE	NO. OF CONTACTS		CONTACT PLATING OPTION G15: 15u" GOLD ON CONTACT, TIN PLATED ON SOLDER TAIL G30: 30u" GOLD ON CONTACT, TIN PLATED ON SOLDER TAIL G50: 50u" GOLD ON CONTACT, TIN PLATED ON SOLDER TAIL		PCB MOUNT TYPE B: PCB BOTTOM MOUNT

NOTE : SOME SIZES, STYLES AND OPTION ARE NON-STANDARD, NON-CANCELLABLE, NON-RETURNABLE

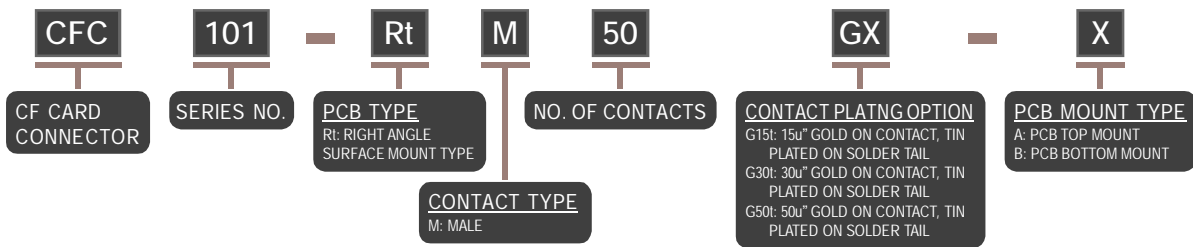
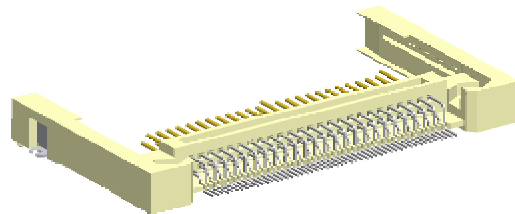
CF CARD CONNECTOR - RIGHT ANGLE SURFACE MOUNT TYPE - Rt



PIN TYPE	DIM.	PIN NO.
DETECT	5.00	1, 13, 38, 50
GENERAL	4.25	ALL OTHER PIN
POWER	3.50	25, 26



SPECIFICATIONS
 HOUSING: HIGH TEMPERATURE PLASTIC, UL 94V-0
 CONTACT: COPPER ALLOY
 VOLTAGE RATING: AC 100V
 CURRENT RATING: 0.5A
 CONTACT RESISTANCE: 40mΩ MAX.
 INSULATION RESISTANCE: 1000MΩ MAX.
 DIELECTRIC WITHSTAND VOLTAGE: AC 500V FOR ONE MINUTE
 OPERATION TEMPERATURE: -40°C~+85°C



NOTE : SOME SIZES, STYLES AND OPTION ARE NON-STANDARD, NON-CANCELLABLE, NON-RETURNABLE