

**- JR -**  
**RCA JACK**

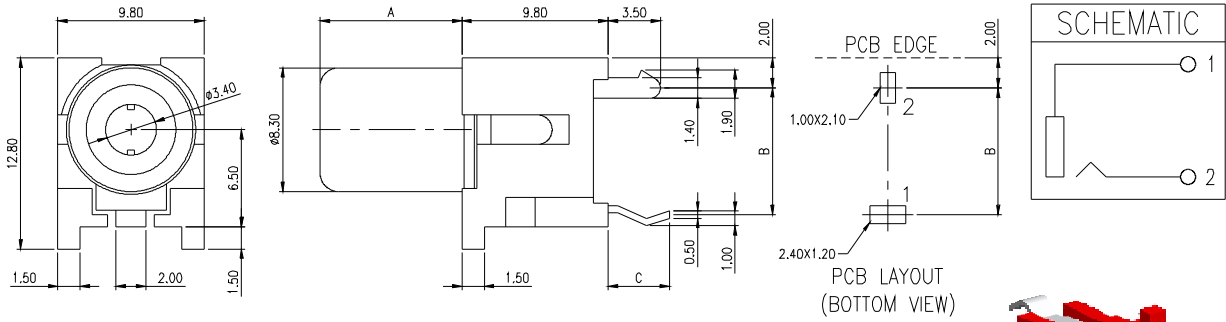
**TERMINAL TYPE**

P : PCB TYPE, STRAIGHT TYPE

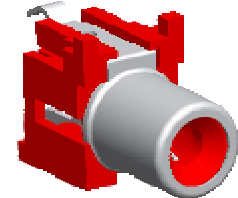
Pa : PCB TYPE, RIGHT ANGLE TYPE

---

## RCA JACK - STRAIGHT TYPE - P

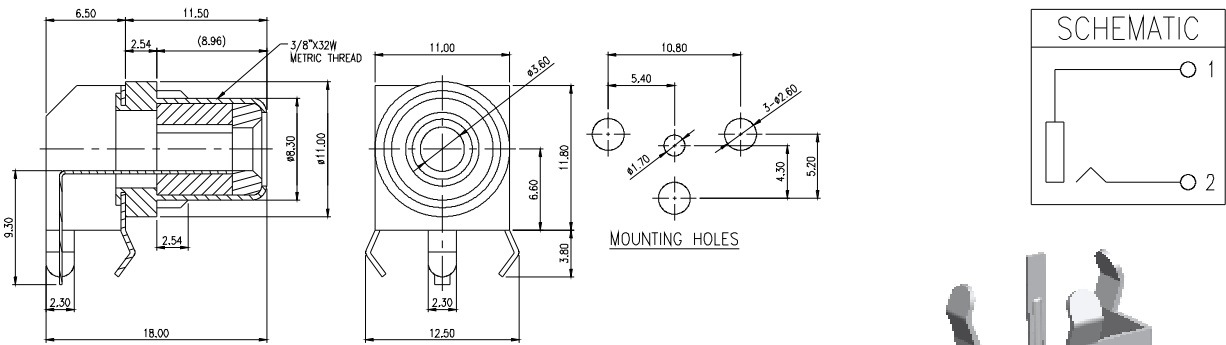


PART NO.	DIMENSIONS		
	A	B	C
JR009-P2A1A-XX	9.20	9.00	4.50
JR019-P2A1A-XX	9.50	8.50	4.10



<b>JR</b>	<b>XXX</b>	<b>P</b>	<b>2</b>	<b>A1</b>	<b>A</b>	<b>XX</b>
RCA JACK	SERIES NO. 009, 019	PCB TYPE P: STRAIGHT TYPE	NO. OF POLE	SCHEMATIC TYPE A1: A1 TYPE	FRAME CODE A: A TYPE	HOUSING COLOR OPTION 01: BLACK 02: BLUE 03: RED 04: YELLOW 05: WHITE 06: GREEN 08: ORANGE

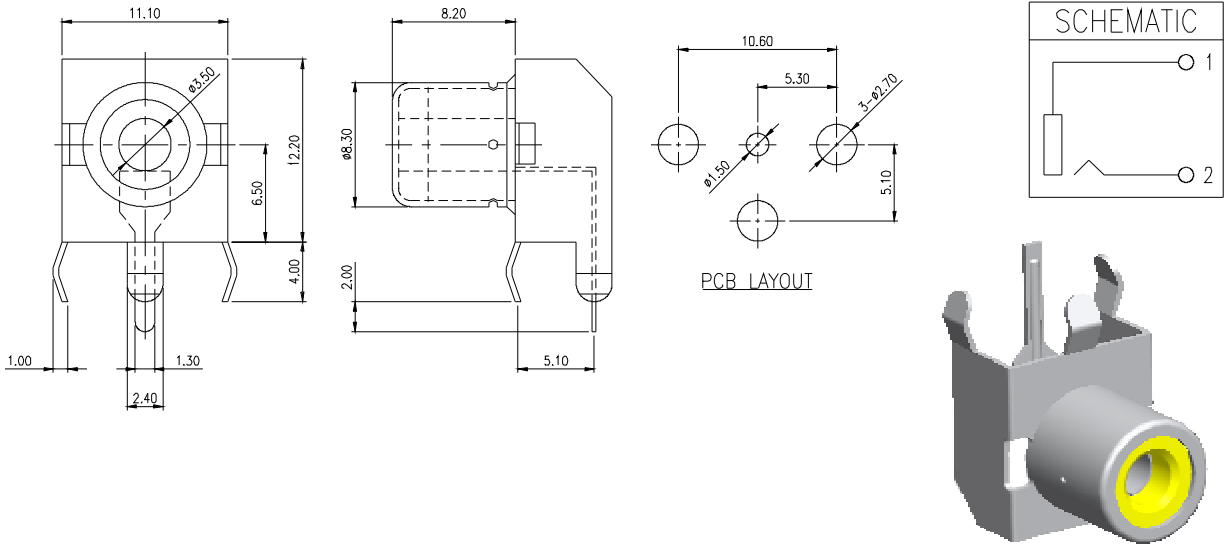
## RCA JACK - RIGHT ANGLE TYPE - Pa



<b>JR</b>	<b>002</b>	<b>Pa</b>	<b>2</b>	<b>A1</b>	<b>A</b>	<b>X</b>	<b>X</b>	<b>XX</b>
RCA JACK	SERIES NO.	PCB TYPE Pa: RIGHT ANGLE TYPE	NO. OF POLE	SCHEMATIC TYPE A1: A1 TYPE	FRAME CODE A: A TYPE	NUT OPTION A: HEX NUT B: ROUND NUT	INSULATOR MATERIAL A: P.B.T. B: THERMOPLASTIC	INSULATOR COLOR OPTION 01: BLACK 02: BLUE 03: RED 04: YELLOW 05: WHITE 06: GREEN 08: ORANGE

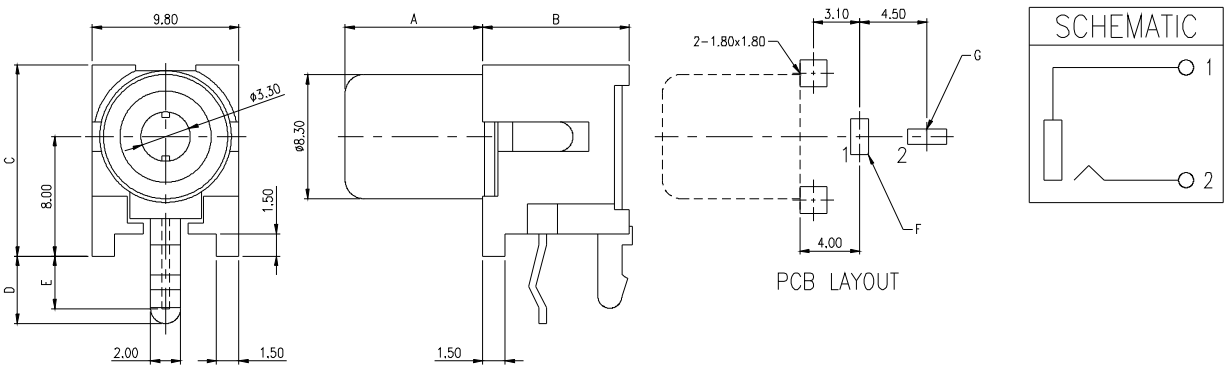
NOTE : SOME SIZES, STYLES AND OPTION ARE NON-STANDARD, NON-CANCELLABLE, NON-RETURNABLE

## RCA JACK - RIGHT ANGLE TYPE - Pa



<b>JR</b>	<b>004</b>	<b>Pa</b>	<b>2</b>	<b>A1</b>	<b>A</b>	<b>A</b>	<b>XX</b>
RCA JACK	SERIES NO.	PCB TYPE Pa: RIGHT ANGLE TYPE	NO. OF POLE	SCHEMATIC TYPE A1: A1 TYPE	FRAME CODE A: A TYPE	CLASS OF THE CENTER PIN A: CENTER PIN DIAMETER = 3.50mm	INSULATOR COLOR OPTION 01: BLACK 02: BLUE 03: RED 04: YELLOW 05: WHITE 06: GREEN

## RCA JACK - RIGHT ANGLE TYPE - Pa

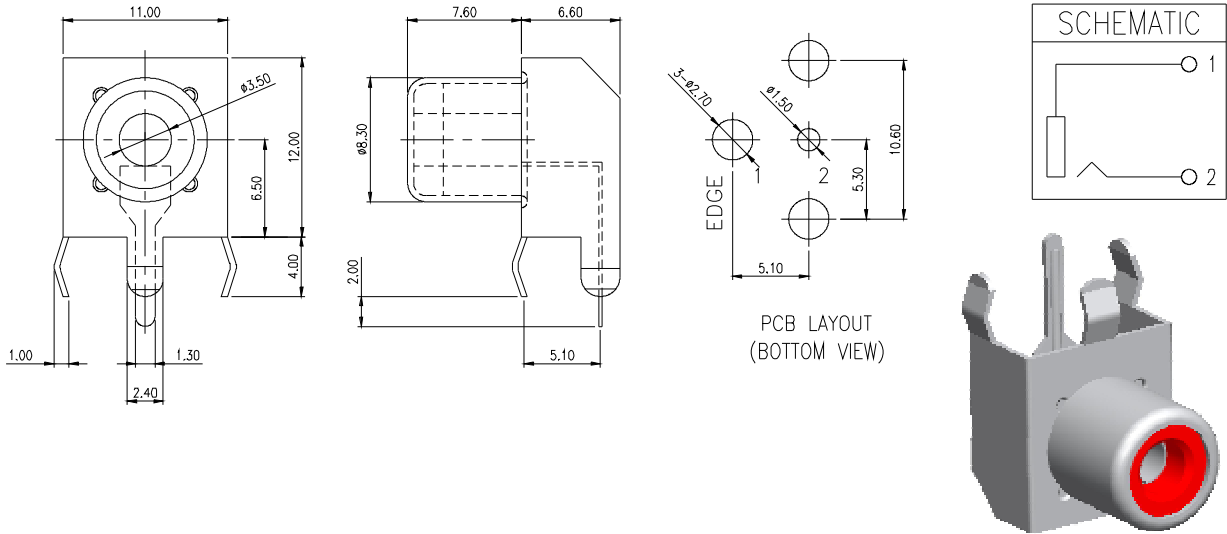


PART NO.	DIMENSIONS						
	A	B	C	D	E	F	G
JR005-Pa2A1AB-XX	9.50	10.00	13.00	4.00	3.50	1.20X2.30	2.00X1.00
JR006-Pa2A1AB-XX	9.20	9.80	12.80	4.50	3.50	1.20X2.40	2.60X1.00
JR007-Pa2A1AB-XX	9.50	10.00	12.80	2.50	2.00	1.20X2.50	2.00X1.00

<b>JR</b>	<b>XXX</b>	<b>Pa</b>	<b>2</b>	<b>A1</b>	<b>A</b>	<b>B</b>	<b>XX</b>
RCA JACK	SERIES NO. 005, 006, 007	PCB TYPE Pa: RIGHT ANGLE TYPE	NO. OF POLE	SCHEMATIC TYPE A1: A1 TYPE	FRAME CODE A: A TYPE	CLASS OF THE CENTER PIN B: CENTER PIN DIAMETER = 3.30mm	HOUSING COLOR OPTION 01: BLACK 03: RED 04: YELLOW 05: WHITE 06: GREEN 08: ORANGE

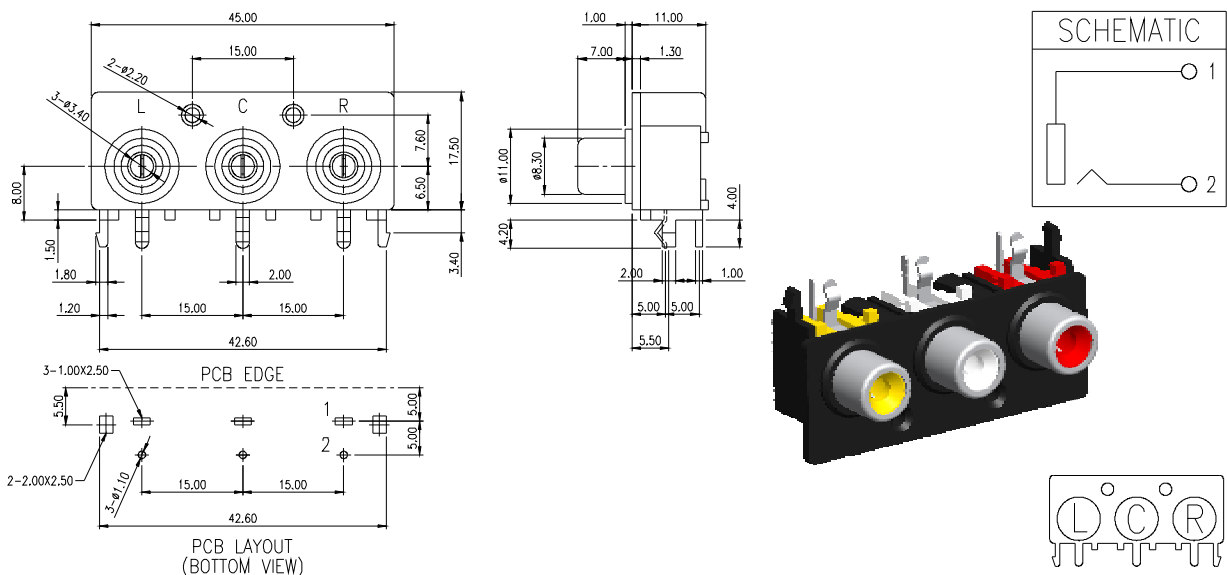
NOTE : SOME SIZES, STYLES AND OPTION ARE NON-STANDARD, NON-CANCELLABLE, NON-RETURNABLE

## RCA JACK - RIGHT ANGLE TYPE - Pa



<b>JR</b>	<b>010</b>	<b>Pa</b>	<b>2</b>	<b>A1</b>	<b>A</b>	<b>XX</b>
RCA JACK	SERIES NO.	PCB TYPE Pa: RIGHT ANGLE TYPE	NO. OF POLE	SCHEMATIC TYPE A1: A1 TYPE	FRAME CODE A: A TYPE	INSULATOR COLOR OPTION 01: BLACK 03: RED 04: YELLOW 05: WHITE

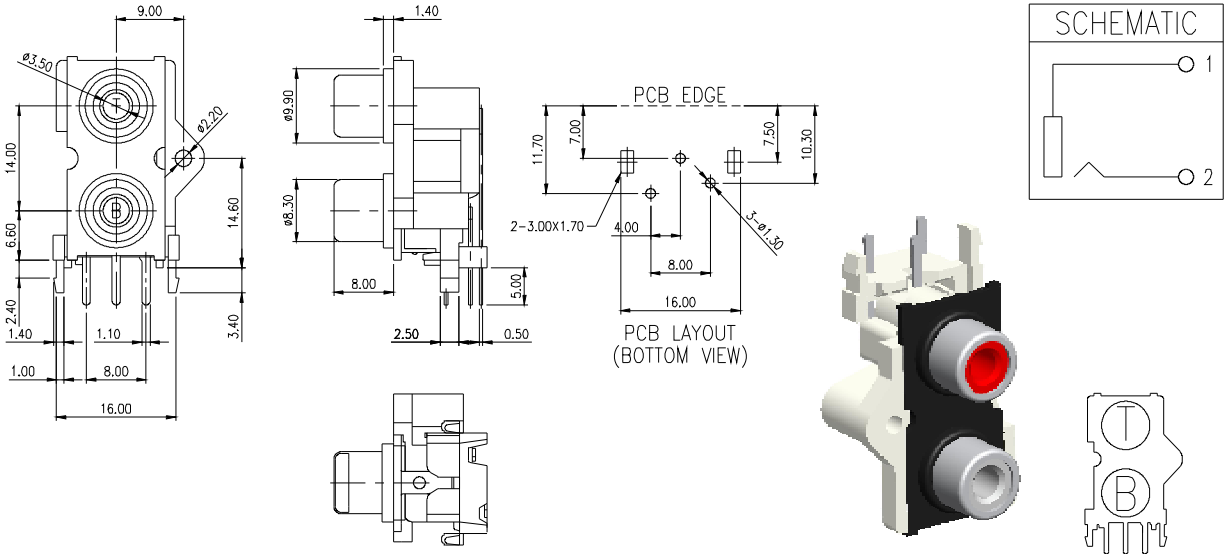
## RCA JACK - RIGHT ANGLE TYPE - Pa



<b>JR</b>	<b>011</b>	<b>Pa</b>	<b>2</b>	<b>A1</b>	<b>A</b>	<b>XXX</b>
RCA JACK	SERIES NO.	PCB TYPE Pa: RIGHT ANGLE TYPE	NO. OF POLE	SCHEMATIC TYPE A1: A1 TYPE	FRAME CODE A: A TYPE	INSULATOR COLOR OPTION 354: L: RED, C: WHITE, R: YELLOW 362: L: RED, C: GREEN, R: BLUE

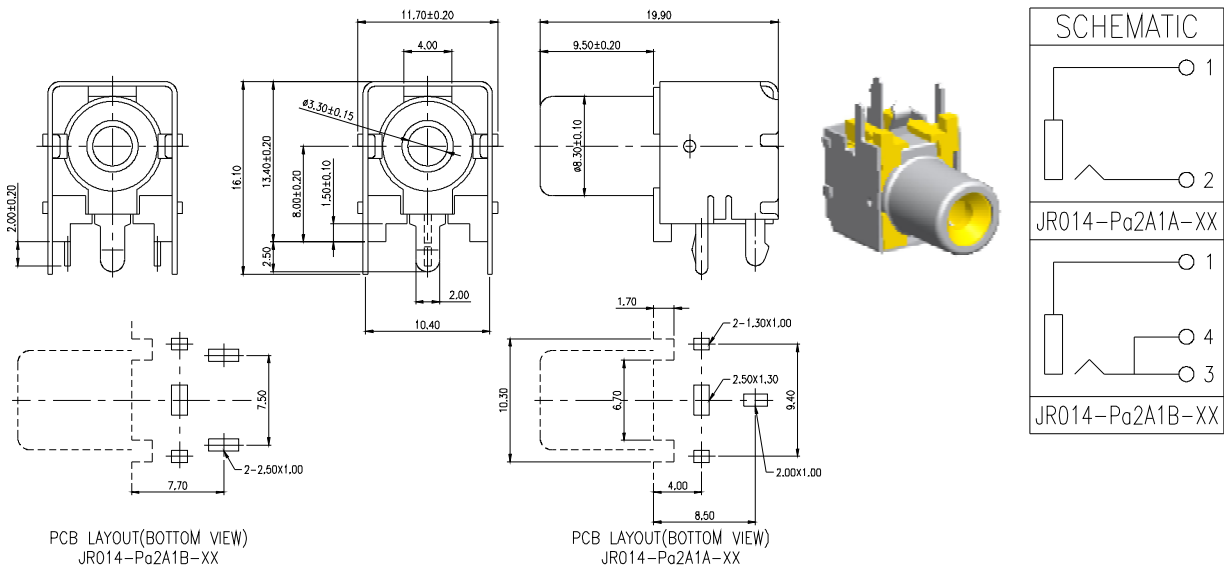
NOTE : SOME SIZES, STYLES AND OPTION ARE NON-STANDARD, NON-CANCELLABLE, NON-RETURNABLE

## RCA JACK - RIGHT ANGLE TYPE - Pa



<b>JR</b>	<b>012</b>	<b>Pa</b>	<b>2</b>	<b>A1</b>	<b>A</b>	<b>XX</b>
RCA JACK	SERIES NO.	PCB TYPE Pa: RIGHT ANGLE TYPE	NO. OF POLE	SCHEMATIC TYPE A1: A1 TYPE	FRAME CODE A: A TYPE	INSULATOR COLOR OPTION 11: T: BLACK, B: BLACK 44: T: YELLOW, B: YELLOW 35: T: RED, B: WHITE 53: T: WHITE, B: RED

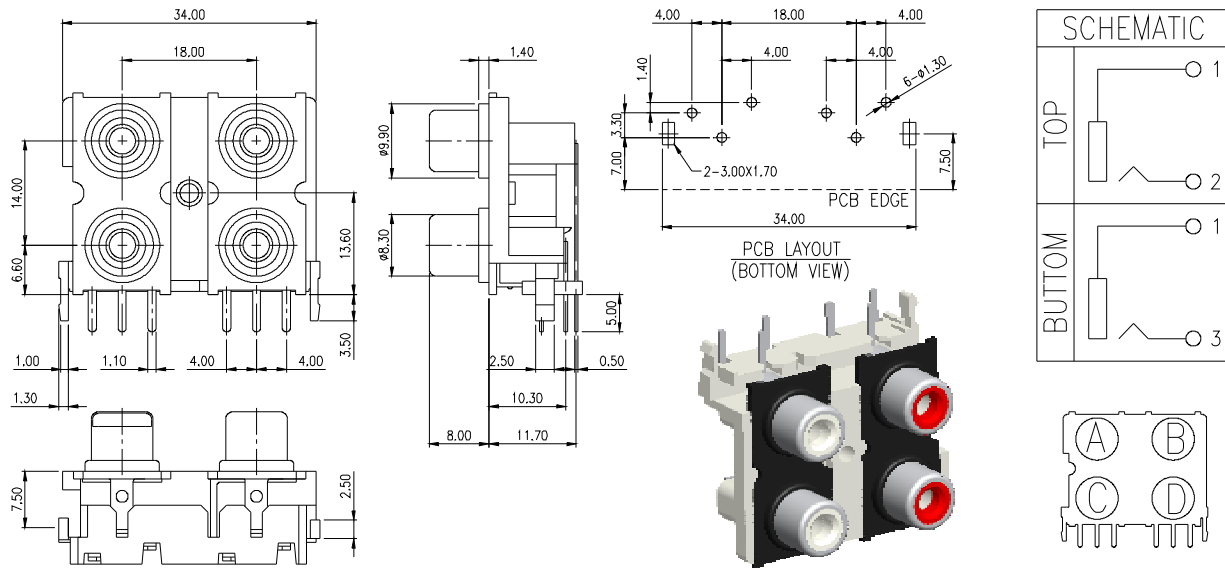
## RCA JACK - RIGHT ANGLE TYPE - Pa



<b>JR</b>	<b>014</b>	<b>Pa</b>	<b>2</b>	<b>A1</b>	<b>X</b>	<b>XX</b>
RCA JACK	SERIES NO.	PCB TYPE Pa: RIGHT ANGLE TYPE	NO. OF POLE	SCHEMATIC TYPE A1: A1 TYPE	FRAME CODE A: A TYPE B: B TYPE	HOUSING COLOR OPTION 01: BLACK 03: RED 04: YELLOW 05: WHITE 08: ORANGE

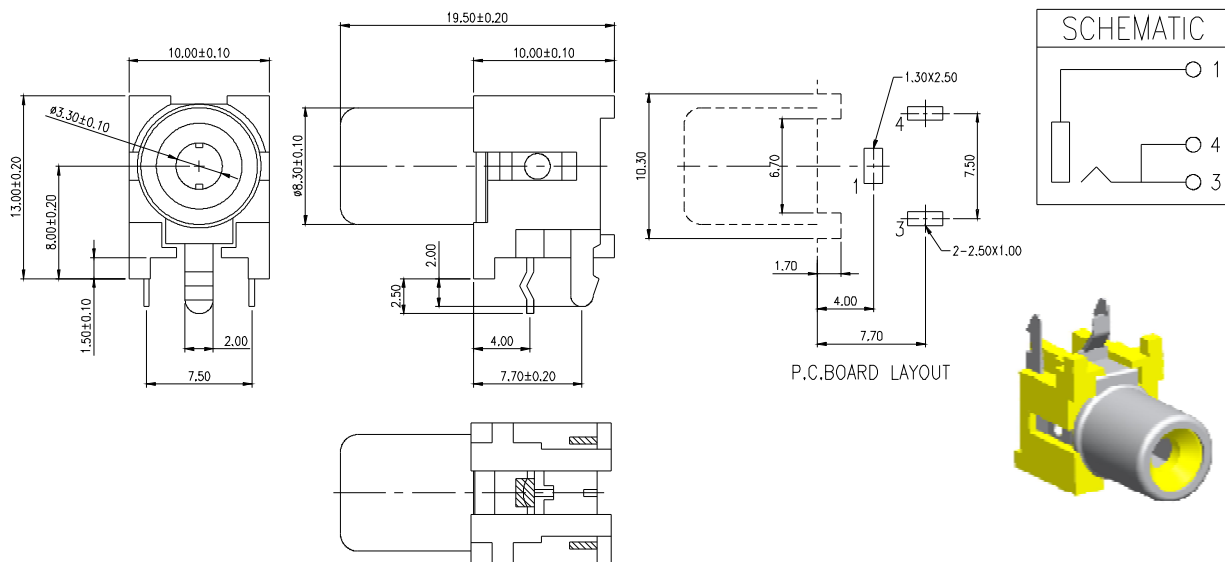
NOTE : SOME SIZES, STYLES AND OPTION ARE NON-STANDARD, NON-CANCELLABLE, NON-RETURNABLE

## RCA JACK - RIGHT ANGLE TYPE - Pa



<b>JR</b>	<b>015</b>	<b>Pa</b>	<b>2</b>	<b>A1</b>	<b>XXXX</b>
RCA JACK	SERIES NO.	PCB TYPE Pa: RIGHT ANGLE TYPE	NO. OF POLE	SCHEMATIC TYPE A1: A1 TYPE	INSULATOR COLOR OPTION 1111: A: BLACK, B: BLACK, C: BLACK, D: BLACK 3535: A: RED, B: WHITE, C: RED, D: WHITE 4444: A: YELLOW, B: YELLOW, C: YELLOW, D: YELLOW 5533: A: WHITE, B: WHITE, C: RED, D: RED

## RCA JACK - RIGHT ANGLE TYPE - Pa

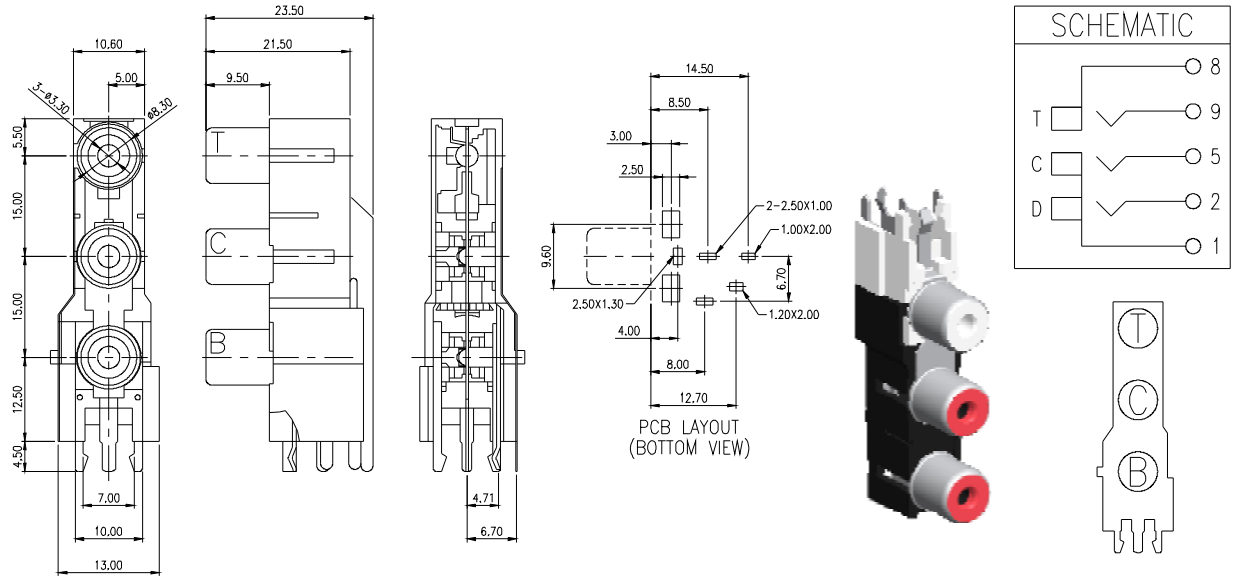


<b>JR</b>	<b>016</b>	<b>Pa</b>	<b>2</b>	<b>A1</b>	<b>A</b>	<b>B</b>	<b>XX</b>
RCA JACK	SERIES NO.	PCB TYPE Pa: RIGHT ANGLE TYPE	NO. OF POLE	SCHEMATIC TYPE A1: A1 TYPE	FRAME CODE A: A TYPE	CLASS OF THE CENTER PIN B: CENTER PIN DIAMETER = 3.30mm	HOUSING COLOR OPTION 01: BLACK 02: BLUE 04: YELLOW 03: RED 06: GREEN 05: WHITE 08: ORANGE

NOTE : SOME SIZES, STYLES AND OPTION ARE NON-STANDARD, NON-CANCELLABLE, NON-RETURNABLE



# RCA JACK - RIGHT ANGLE TYPE - Pa



**JR** — **303** — **Pa** — **2** — **A1** — **B** — **X** — **XXX**

**RCA JACK**    **SERIES NO.**    **PCB TYPE**  
Pa: RIGHT ANGLE TYPE

**NO. OF POLE**    **SCHEMATIC TYPE**  
A1: A1 TYPE

**CLASS OF THE CENTER PIN**  
B: CENTER PIN DIAMETER = 3.30mm

**HOUSING COLOR OPTION**  
SEE COLOR CHART

**INSULATOR COLOR OPTION**  
SEE COLOR CHART

NOTE : SOME SIZES, STYLES AND OPTION ARE NON-STANDARD, NON-CANCELLABLE, NON-RETURNABLE