

MMI

**FILTER
(VOIP-10/100)**

MMT 15F SERIES

POWER OVER ETHERNET (PoE) MAGNETICS 10/100BASE-TX VoIP Magnetics Modules

FEATURES

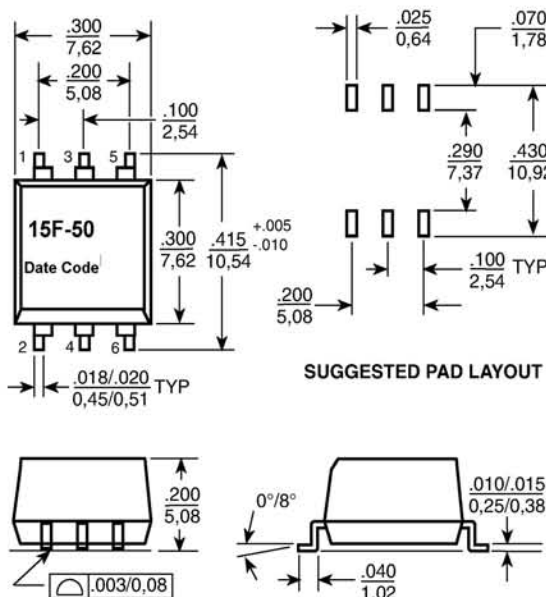
- IEEE 802.3af/ANSI X3.263 compliant performance
- Suitable for End-span and Mid-span PoE applications
- 350 mA current capability
- Designed for IP phone or switch applications
- Compact footprint



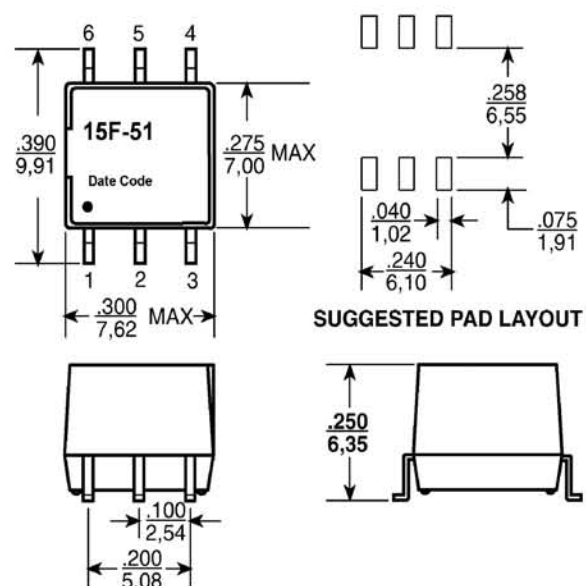
ELECTRICAL SPECIFICATIONS @25°C-Operating temperature 0°C TO 70°C														
Part Number	Ports	Insertion Loss (dB max)	Return Loss (dB MIN @100Ω)				Differential to Common Mode Rejection (dB MIN)			Crosstalk (dB MIN)			Hipot (Vrms MIN) @60Hz	DC Resistance Balance ≤ (%)
			1-100 MHz	1-30 MHz	40 MHz	50 MHz	60-80 MHz	30 MHz	60 MHz	100 MHz	30 MHz	60 MHz		
15F-50	1	-1.2	-16	-14	-13	-12	-43	-37	-33	-45	-40	-35	1500	-
15F-51	1	-1.2	-16	-14	-13	-12	-43	-37	-33	-45	-40	-35	1500	-
15F-32	1	-1.2	-16	-14	-13	-12	-43	-37	-33	-45	-40	-35	1500	-
15F-30	1	-1.2	-16	-14	-13	-12	-43	-37	-33	-45	-40	-35	1500	3.5
15F-10	2	-1.2	-16	-14	-13	-12	-43	-37	-33	-43	-37	-31	1500	3.5
15F-11	2	-1.2	-16	-14	-13	-12	-40	-35	-30	-43	-37	-33	1500	3.5
15F-20	2	-1.1	-16	-14	-13	-12	-43	-37	-33	-43	-37	-33	1500	3.5
15F-40	4	-1.2	-16	-14	-13	-12	-43	-37	-33	-45	-40	-35	1500	3.5
15F-41	4	-1.2	-16	-14	-13	-12	-43	-37	-33	-45	-40	-35	1500	3.5
15F-31C	1	-1.4	-16	-14	-13	-12	-	-	-	-45	-40	-35	1500	3.5

Mechanicals

15F-50



15F-51



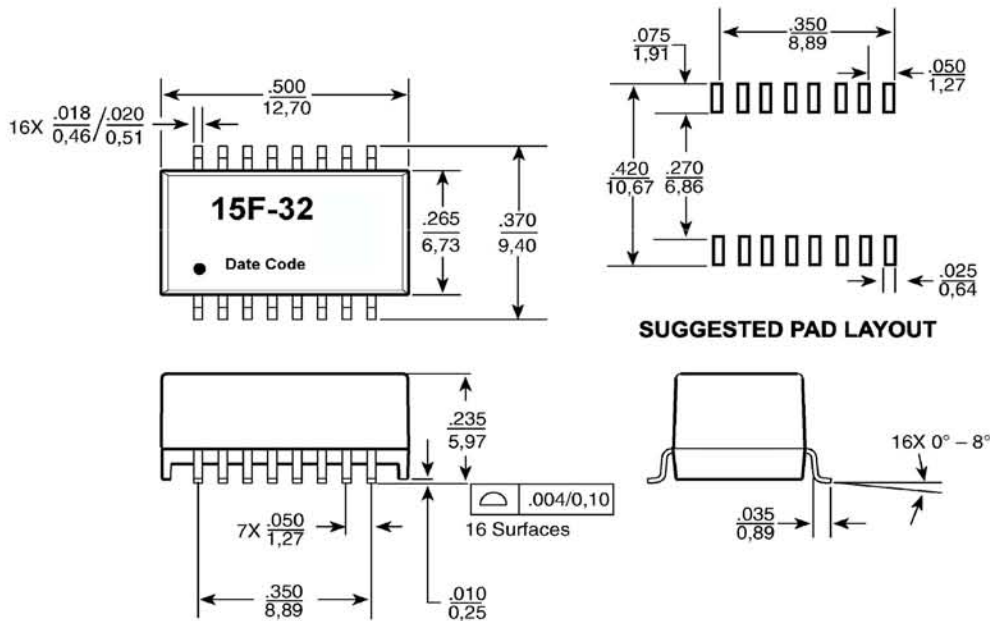
Dimensions: $\frac{\text{Inches}}{\text{mm}}$ Unless otherwise specified, all tolerances are $\pm \frac{.010}{0,25}$

MMI 15F SERIES

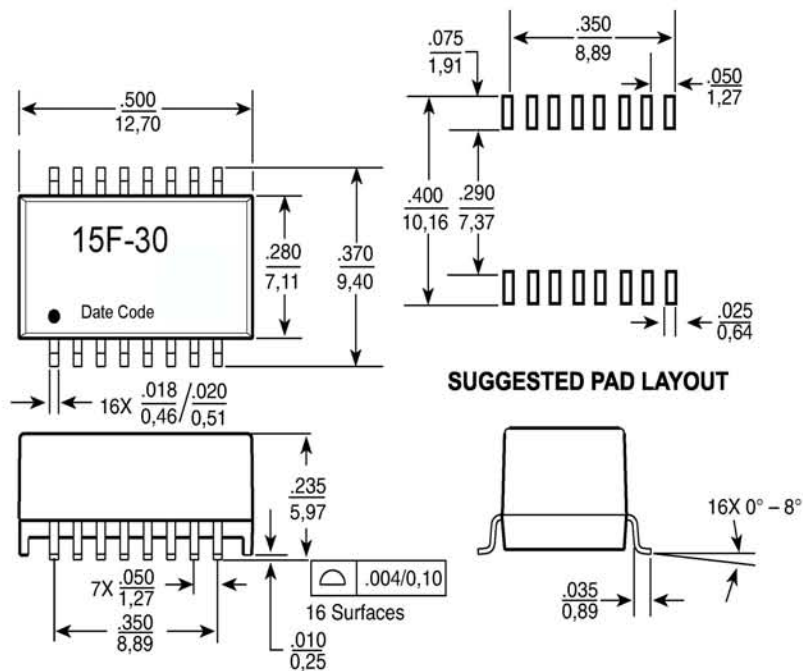
POWER OVER ETHERNET (PoE) MAGNETICS 10/100BASE-TX VoIP Magnetics Modules

Schematics

15F-32

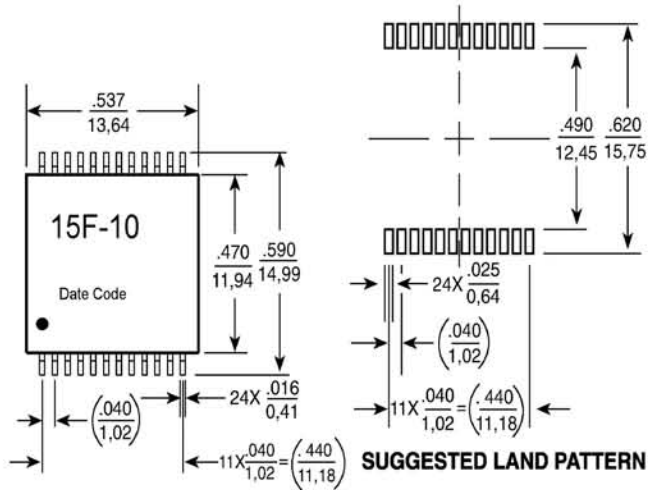


15F-30,15F-31C

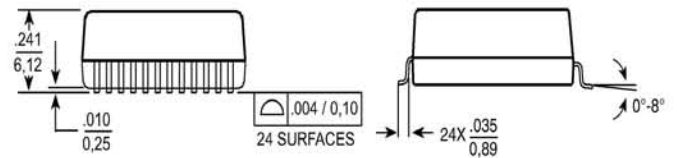
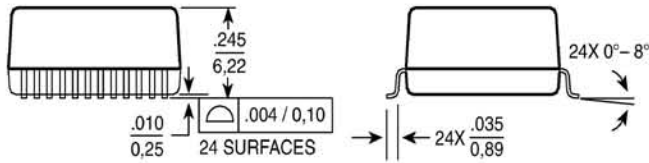
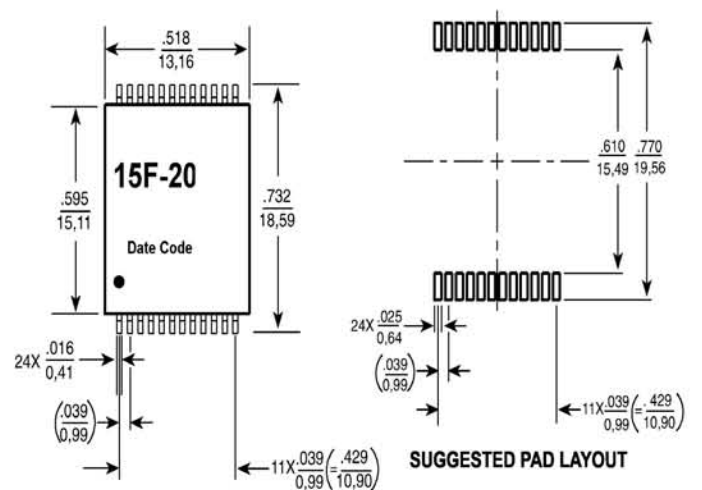


Dimensions: $\frac{\text{Inches}}{\text{mm}}$ Unless otherwise specified, all tolerances are $\pm .010$ / $0,25$

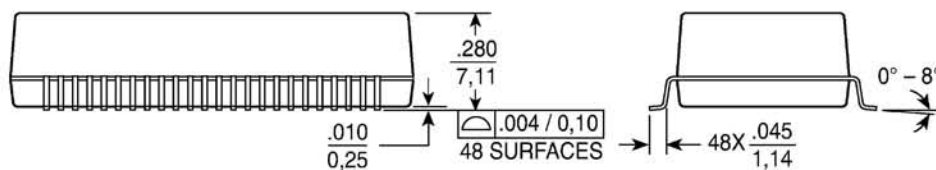
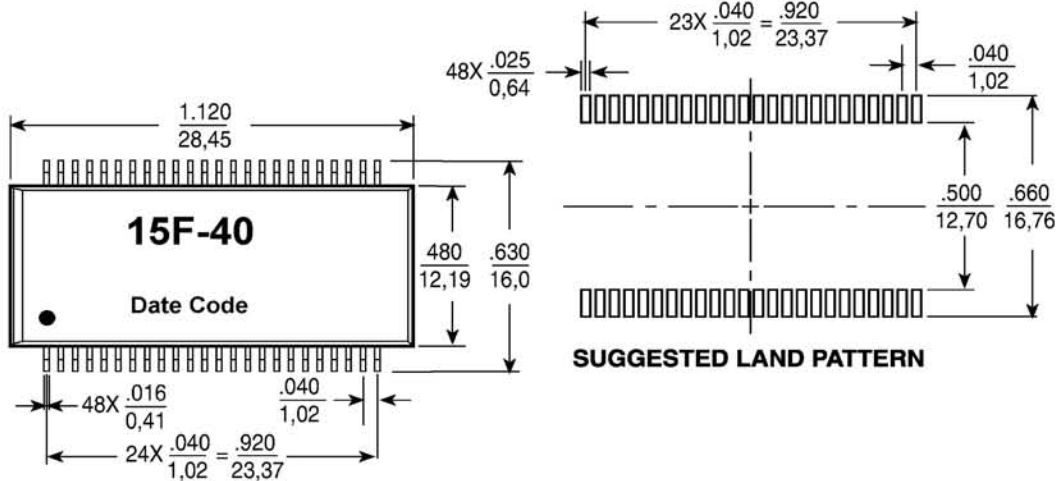
15F-10,15F-11



15F-20

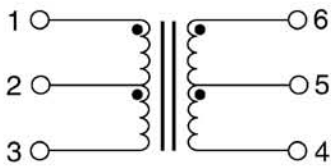


15F-40,15F-41

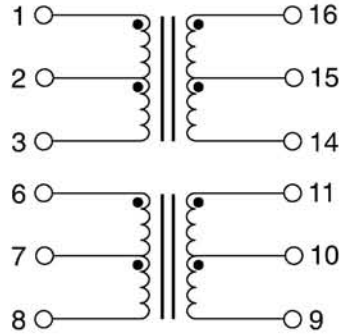


Dimensions: $\frac{\text{Inches}}{\text{mm}}$ Unless otherwise specified, all tolerances are $\pm \frac{.010}{0,25}$

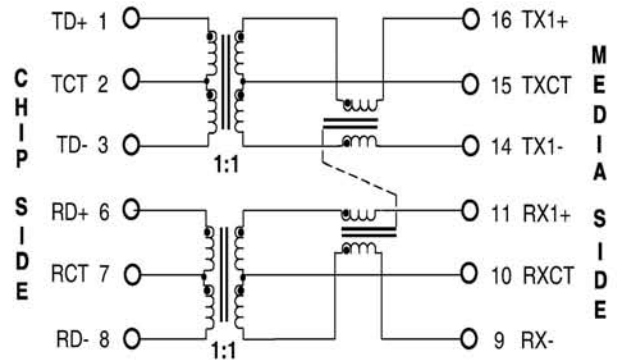
15F-50,15F-51



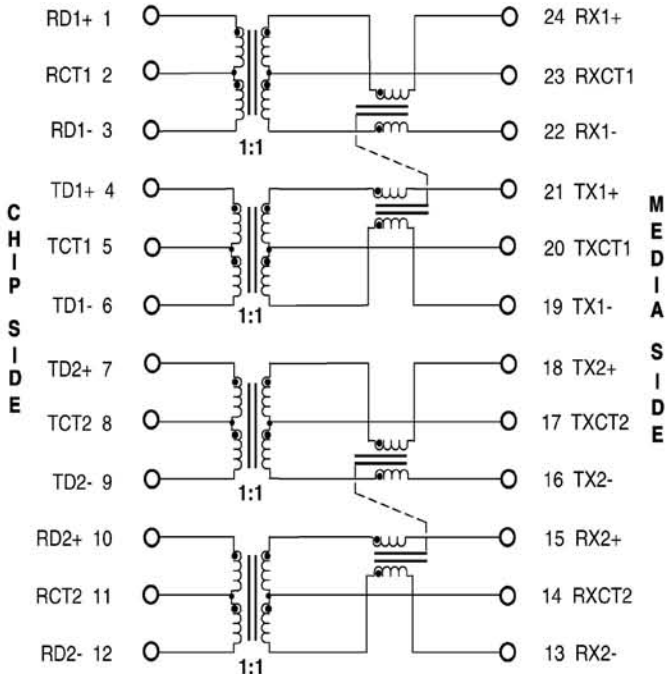
15F-32



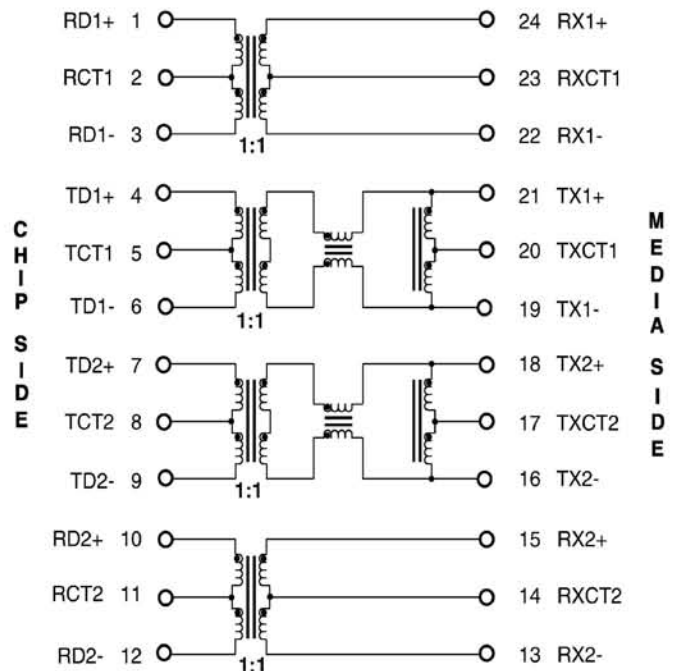
15F-30,15F-31C



15F-10



15F-11

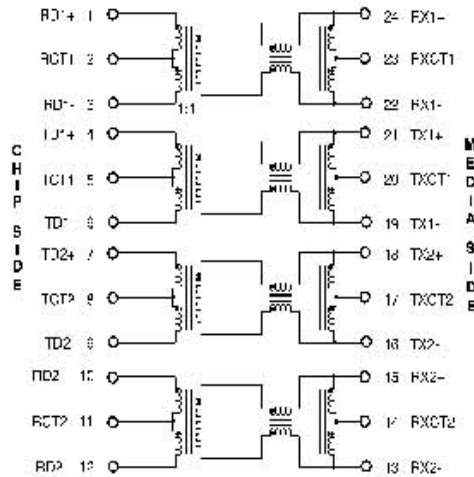




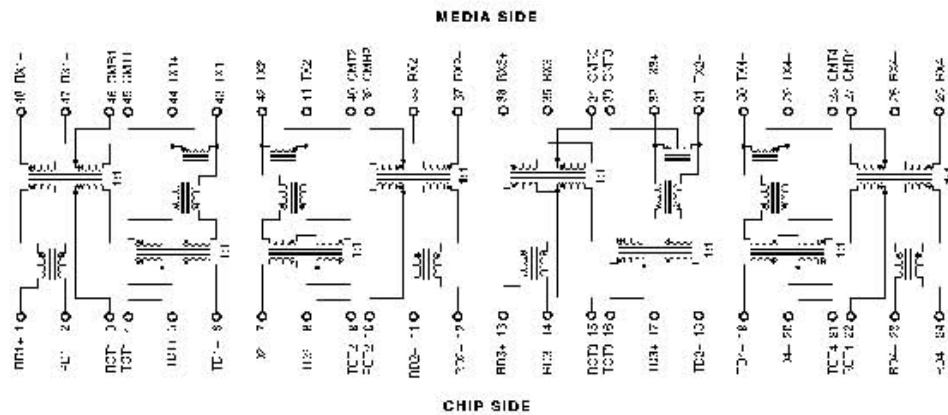
15F SERIES

POWER OVER ETHERNET (PoE) MAGNETICS 10/100BASE-TX VoIP Magnetics Modules

15F-20



15F-40



15F-41

