

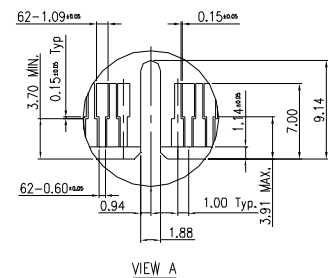
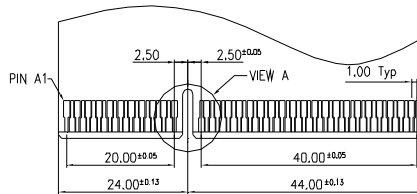
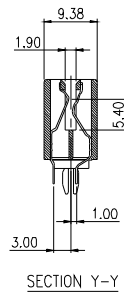
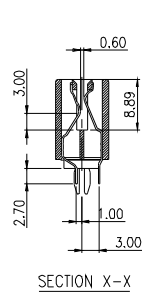
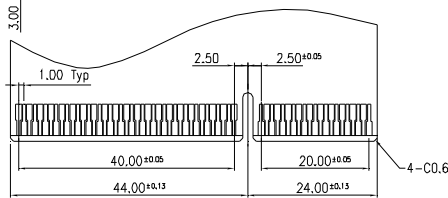
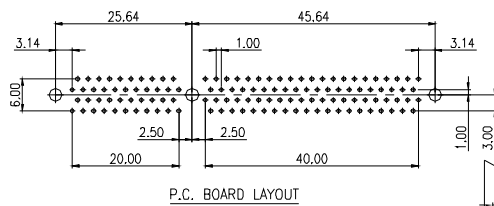
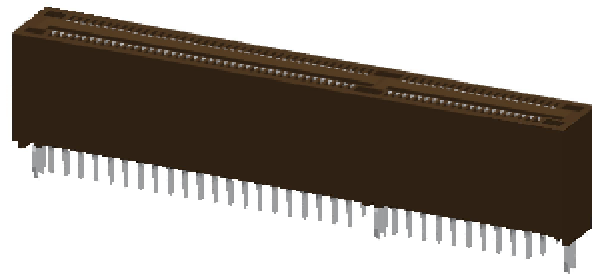
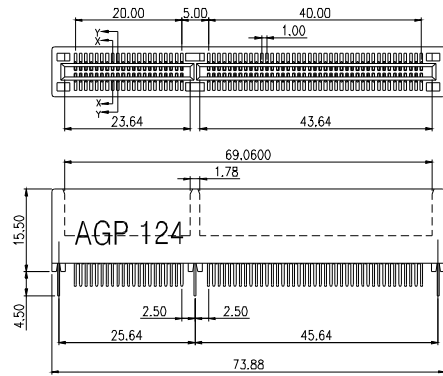
**MMI**

---

**CARD EDGE  
CONNECTOR**

---

# CARD EDGE 100 SERIES 124 PINS STRAIGHT TYPE- P



<b>CE</b>	<b>100</b>	<b>P</b>	<b>124</b>	<b>Gft</b>
CARD EDGE CONNECTOR	SERIES NO. 100: 1.00mm PITCH	PCB TYPE P: STRAIGHT TYPE	NO. OF PINS 124	CONTACT PLATING Gft: GOLD FLASH ON CONTACT, TIN PLATED ON SOLDER TAIL

### MATERIALS

BODY: HIGH TEMP. PLASTIC, UL 94V-0 RATED.  
CONTACT: COPPER ALLOY  
CONTACT PLATING: GOLD PLATING OVER NICKEL ON CONTACT AREA, TIN/LEAD PLATING ON TERMINAL  
CAVITY NO.: 1-4

### MECHANICAL

INSERTION FORCE: 100 GRAMS MAX.  
WITHDRAWAL FORCE: 15 GRAM MIN.  
RETENTION FORCE: 1 LB MIN.  
CAPACITANCE: 2 pF MAX.

### ELECTRICAL

CONTACT RESISTANCE: 15mΩ MAX. IN INITIAL  
CURRENT RATING: 1 AMP.  
INSULATION RESISTANCE: 1000 MΩ MIN.  
OPERATION VOLTAGE: 125 VAC MAX.  
DIELECTRIC WITHSTANDING VOLTAGE: 500 VAC  
1 MINUTE.

NOTE : SOME SIZES, STYLES AND OPTION ARE NON-STANDARD, NON-CANCELLABLE, NON-RETURNABLE

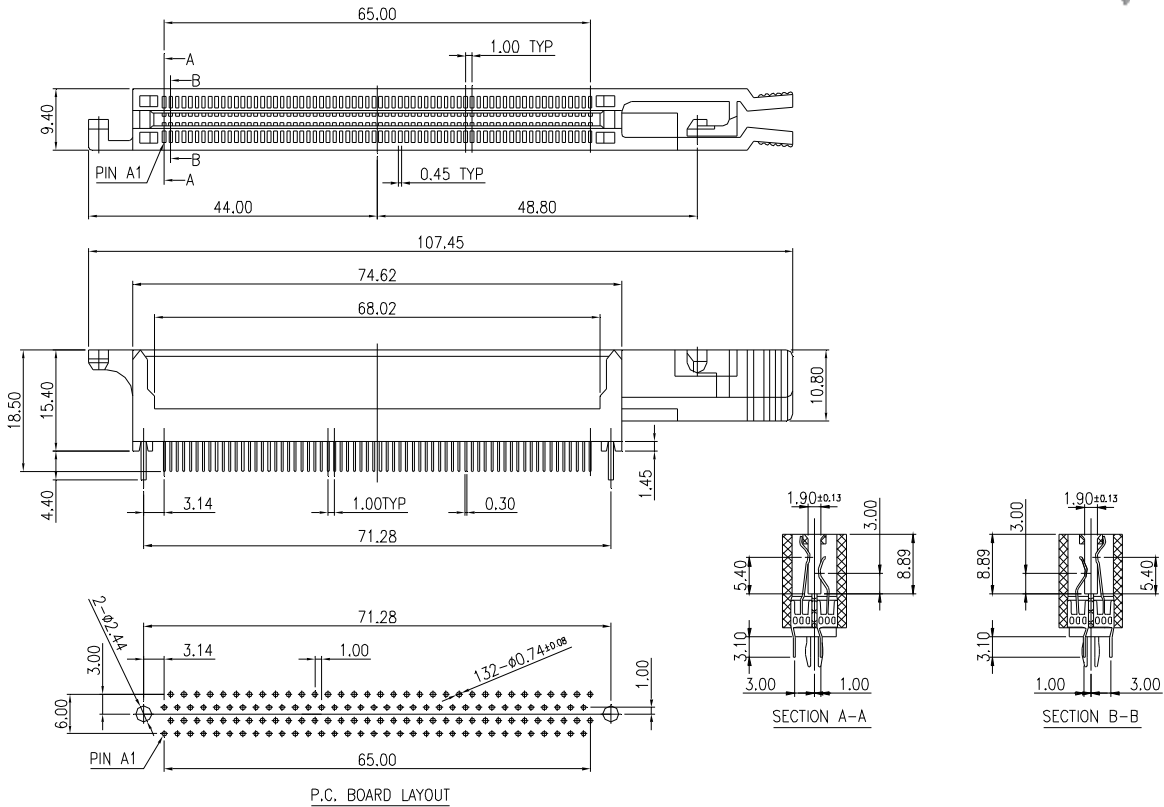
[www.mmtmachrone.com](http://www.mmtmachrone.com)

USA TEL : 1-510-979-2188  
FAX : 1-510-979-2189

TAIWAN TEL : 886-2-2755-3193  
FAX : 886-2-2784-5109

SINGAPORE TEL : 65-6274-0566  
FAX : 65-6274-7891

# CARD EDGE 100 SERIES 132 PINS STRAIGHT TYPE- P



<b>CE</b>	<b>100</b>	<b>P</b>	<b>132</b>	<b>Gft</b>	<b>R1</b>
<b>CARD EDGE CONNECTOR</b>	<b>SERIES NO.</b> 100: 1.00mm PITCH	<b>PCB TYPE</b> P: STRAIGHT TYPE	<b>NO. OF PINS</b> 132	<b>CONTACT PLATING</b> Gft: GOLD FLASH ON CONTACT, TIN PLATED ON SOLDER TAIL	<b>EJECTOR TYPE</b> R1: R1 TYPE EJECTOR

### MATERIALS

BODY: HIGH TEMPERATURE THERMOPLASTIC, UL 94V-0  
 CONTACTS: COPPER ALLOY  
 CONTACT PLATING: GOLD PLATING OVER NICKEL ON CONTACT AREA, TIN/LEAD PLATING ON TERMINAL.

### MECHANICAL

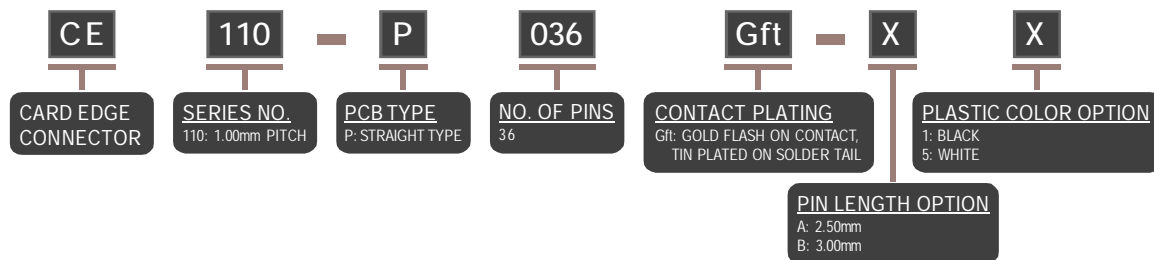
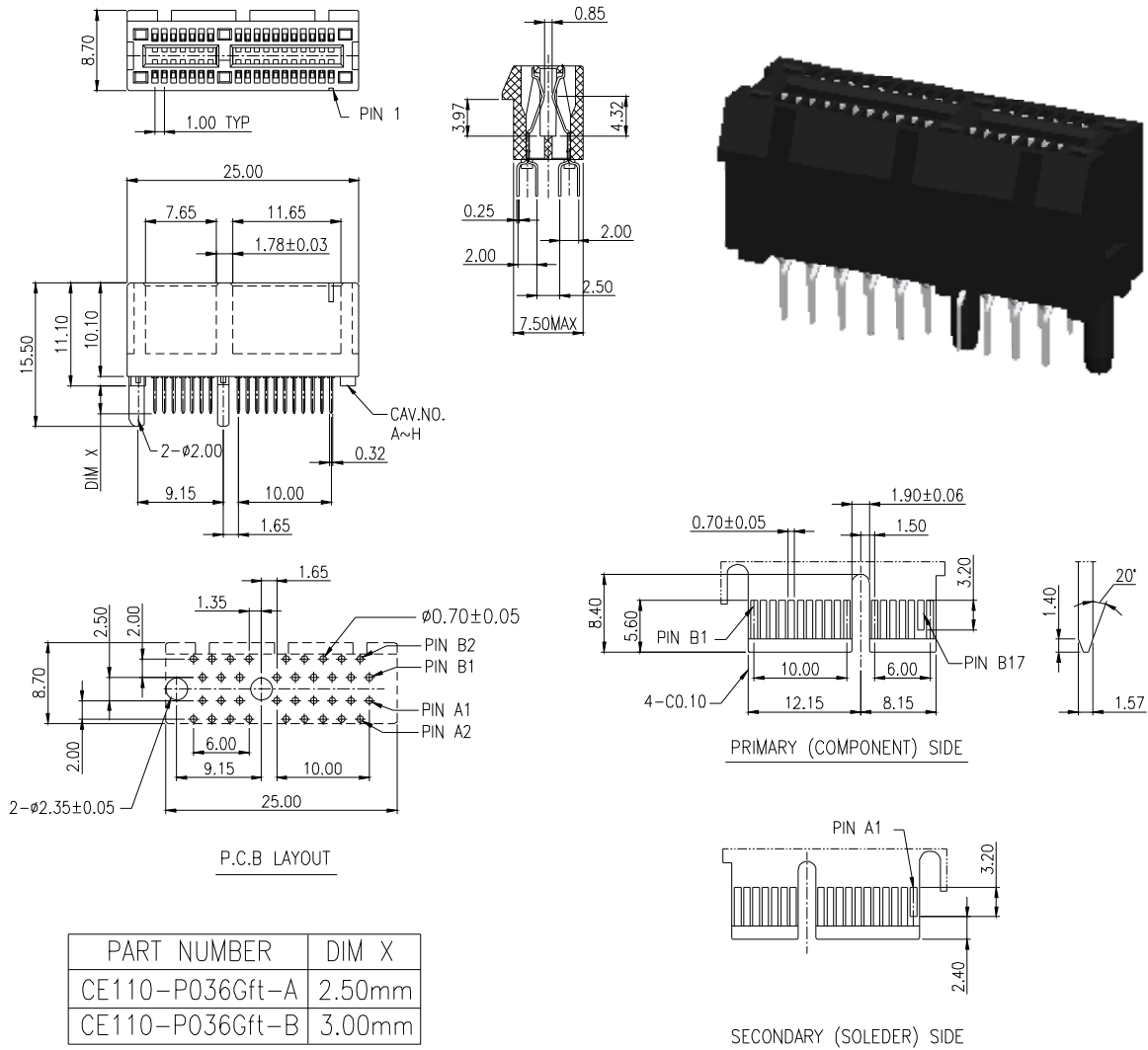
INSERTION FORCE: 100 GRAMS MAX. (PER CONTACT PAIR)  
 WITHDRAWAL FORCE: 30 GRAM MIN. (PER CONTACT PAIR)  
 CONTACT RETENTION: 350 GRAM MIN.

### ELECTRICAL

CONTACT RESISTANCE: 10mΩ MAX. INITIAL, 2mΩ MAX. INCREASE THROUGH TESTING.  
 CURRENT RATING: 1 AMP.  
 INSULATION RESISTANCE: 1000MΩ MIN.  
 DIELECTRIC WITHSTANDING VOLTAGE: 500V AC 1 MINUTE.  
 CAPACITANCE: 2 PF MAX.

**NOTE :** SOME SIZES, STYLES AND OPTION ARE NON-STANDARD, NON-CANCELLABLE, NON-RETURNABLE

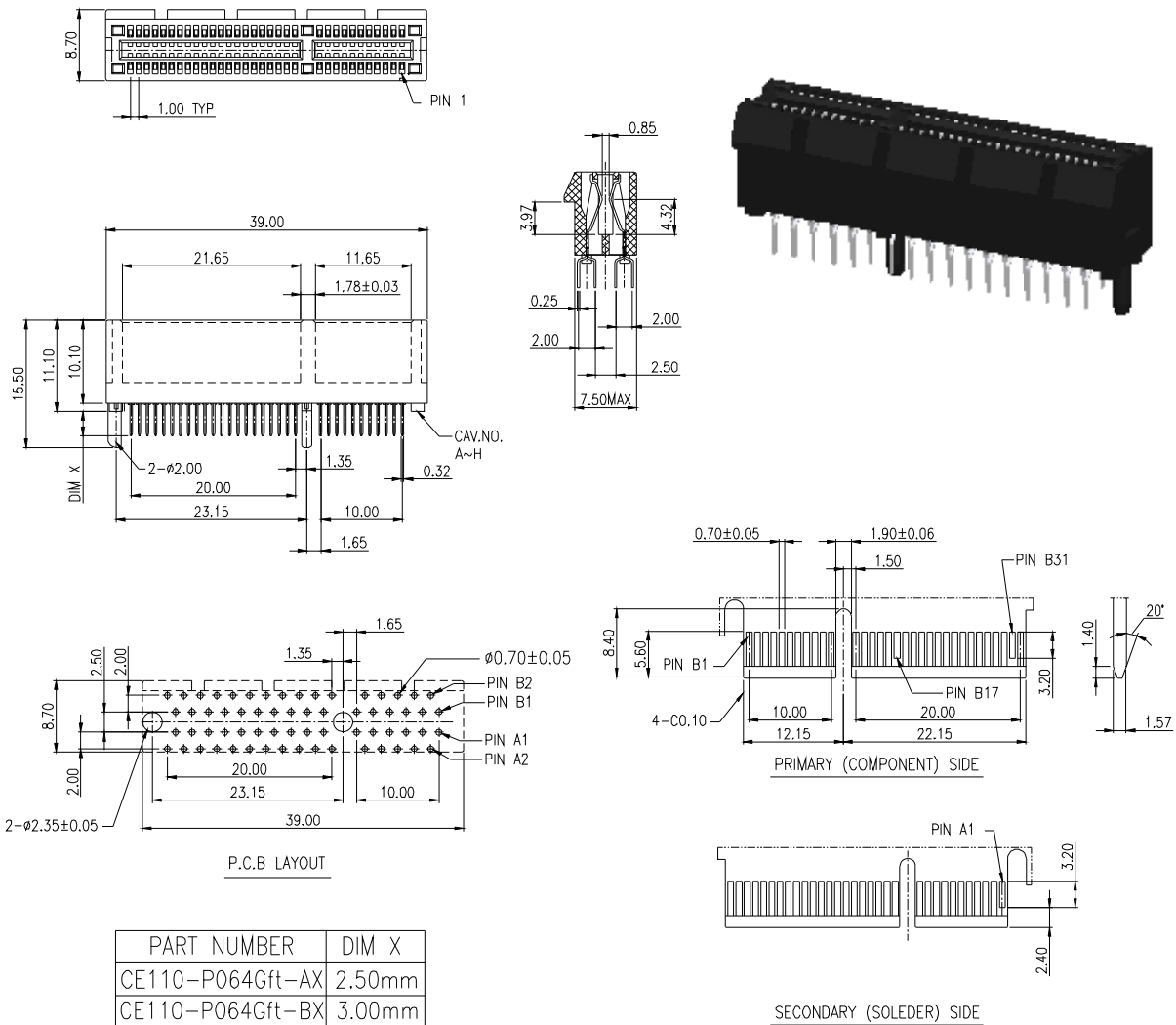
# CARD EDGE 110 SERIES 36 PINS STRAIGHT TYPE- P



MATERIALS	MECHANICAL	ELECTRICAL
INSULATOR: NYLON 66+30%G.F. OR PBT+30%G.F. UL 94V-0 RATED. COLOR: WHITE OR BLACK. CAV. NO: A-H CONTACT: BRASS OR PHOSPHOR BRONZE. PLATING: GOLD PLATING OVER NICKEL ON CONTACT AREA; TIN PLATING ON SOLDER TAIL.	INSERTION FORCE: 1.15 GRAMS MAX PER CONTACT PAIR. WITH DRAWAL FORCE: 0.15 GRAMS MIN PER CONTACT PAIR. CONTACT RETENTION FORCE: 4.9N MIN PER CONTACT PAIR.	CURRENT RATING: 1.1 AMP. INSULATION RESISTANCE: 1000MΩ MIN AT 500 VDC. CONTACT RESISTANCE: 30mΩ MAX. TEMPERATURE RANGE: -55°C ~ +105°C

NOTE : SOME SIZES, STYLES AND OPTION ARE NON-STANDARD, NON-CANCELLABLE, NON-RETURNABLE

# CARD EDGE 110 SERIES 64 PINS STRAIGHT TYPE- P



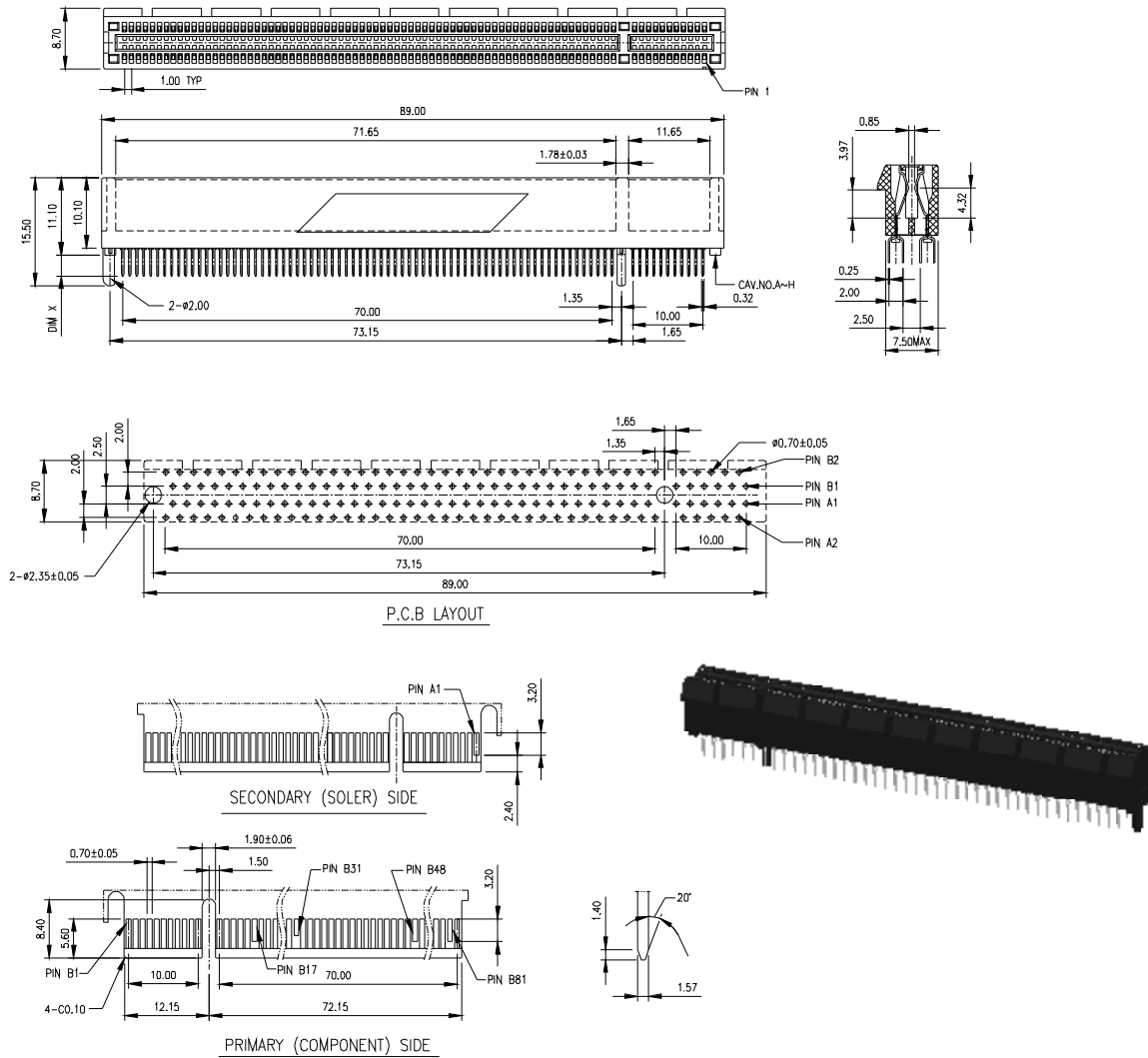
PART NUMBER	DIM X
CE110-P064Gft-AX	2.50mm
CE110-P064Gft-BX	3.00mm

<b>CE</b>	<b>110</b>	<b>-</b>	<b>P</b>	<b>064</b>	<b>Gft</b>	<b>-</b>	<b>X</b>	<b>X</b>
<b>CARD EDGE CONNECTOR</b>	<b>SERIES NO.</b> 110: 1.00mm PITCH		<b>PCB TYPE</b> P: STRAIGHT TYPE	<b>NO. OF PINS</b> 64	<b>CONTACT PLATING</b> Gft: GOLD FLASH ON CONTACT, TIN PLATED ON SOLDER TAIL		<b>PLASTIC COLOR OPTION</b> 1: BLACK 5: WHITE	<b>PIN LENGTH OPTION</b> A: 2.50mm B: 3.00mm

<p><b>MATERIALS</b></p> <p>INSULATOR: NYLON 66+30%G.F OR PBT+30%G.F. UL 94V-0 RATED.</p> <p>COLOR: WHITE OR BLACK.</p> <p>CAV. NO: A ~ H</p> <p>CONTACT: BRASS OR PHOSPHOR BRONZE.</p> <p>PLATING: GOLD PLATING OVER NICKEL ON CONTACT AREA; TIN PLATING ON SOLDER TAIL.</p>	<p><b>MECHANICAL</b></p> <p>INSERTION FORCE: 1.15 GRAMS MAX PER CONTACT PAIR.</p> <p>WITHDRAWAL FORCE: 0.15 GRAMS MIN PER CONTACT PAIR.</p> <p>CONTACT RETENTION FORCE: 4.9N MIN PER CONTACT PAIR.</p>	<p><b>ELECTRICAL</b></p> <p>CURRENT RATING: 1.1 AMP.</p> <p>INSULATION RESISTANCE: 1000MΩ MIN AT 500 VDC.</p> <p>CONTACT RESISTANCE: 30mΩ MAX.</p> <p>TEMPERATURE RANGE: -55°C ~ +105°C</p>
--	--	---

NOTE : SOME SIZES, STYLES AND OPTION ARE NON-STANDARD, NON-CANCELLABLE, NON-RETURNABLE

# CARD EDGE 110 SERIES 164 PINS STRAIGHT TYPE- P

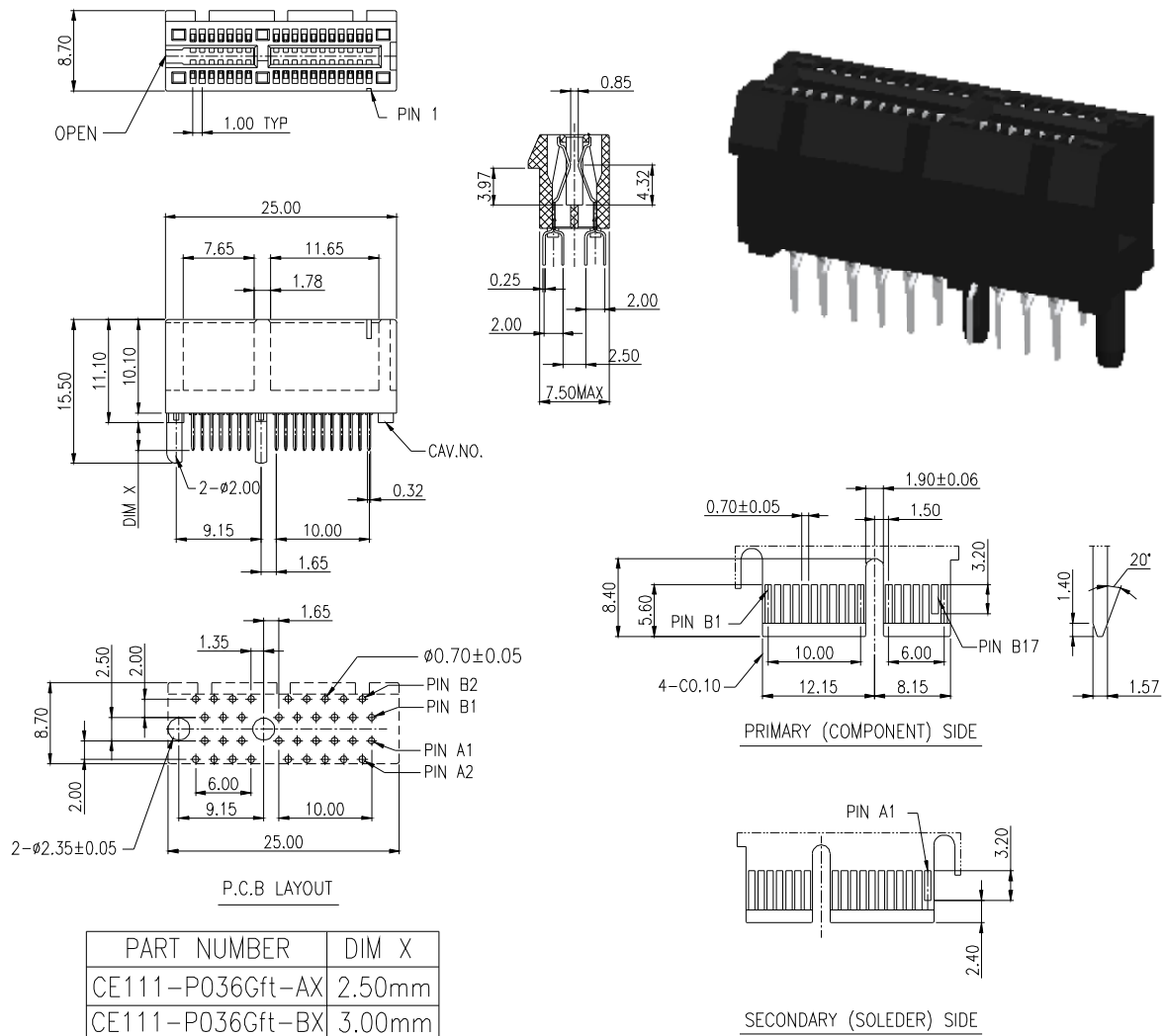


<b>CE</b>	<b>110</b>	<b>P</b>	<b>164</b>	<b>Gft</b>	<b>X</b>	<b>X</b>
<b>CARD EDGE CONNECTOR</b>	<b>SERIES NO.</b> 110: 1.00mm PITCH	<b>PCB TYPE</b> P: STRAIGHT TYPE	<b>NO. OF PINS</b> 164	<b>CONTACT PLATING</b> Gft: GOLD FLASH ON CONTACT, TIN PLATED ON SOLDER TAIL	<b>PLASTIC COLOR OPTION</b> 1: BLACK 5: WHITE	
<b>PIN LENGTH OPTION</b> A: 2.50mm B: 3.00mm						

<p><b>MATERIALS</b></p> <p>INSULATOR: NYLON 66+30%G.F OR PBT+30%G.F. UL 94V-0 RATED.</p> <p>COLOR: WHITE OR BLACK.</p> <p>CAV. NO: A ~ H</p> <p>CONTACT: BRASS OR PHOSPHOR BRONZE.</p> <p>PLATING: GOLD PLATING OVER NICKEL ON CONTACT AREA; TIN PLATING ON SOLDER TAIL.</p>	<p><b>MECHANICAL</b></p> <p>INSERTION FORCE: 1.15 GRAMS MAX PER CONTACT PAIR.</p> <p>WITHDRAWAL FORCE: 0.15 GRAMS MIN PER CONTACT PAIR.</p> <p>CONTACT RETENTION FORCE: 4.9N MIN PER CONTACT PAIR.</p>	<p><b>ELECTRICAL</b></p> <p>CURRENT RATING: 1.1 AMP.</p> <p>INSULATION RESISTANCE: 1000 MΩ MIN AT 500 VDC.</p> <p>CONTACT RESISTANCE: 30mΩ MAX.</p> <p>TEMPERATURE RANGE: -55°C ~ +105°C</p>
--	--	--

NOTE : SOME SIZES, STYLES AND OPTION ARE NON-STANDARD, NON-CANCELLABLE, NON-RETURNABLE

# CARD EDGE 111 SERIES 36 PINS STRAIGHT TYPE- P



### MATERIALS

INSULATOR: NYLON 46+30%G.F OR PBT+30%G.F. UL 94V-0 RATED.  
 COLOR: WHITE OR BLACK.  
 CAV. NO: A - H  
 CONTACT: BRASS OR PHOSPHOR BRONZE.  
 PLATING: GOLD PLATING OVER NICKEL ON CONTACT AREA; TIN PLATING ON SOLDER TAIL.

### MECHANICAL

INSERTION FORCE: 1.15 GRAMS MAX PER CONTACT PAIR.  
 WITHDRAWAL FORCE: 0.15 GRAMS MIN PER CONTACT PAIR.  
 CONTACT RETENTION FORCE: 4.9N MIN PER CONTACT PAIR.

### ELECTRICAL

CURRENT RATING: 1.1 AMP.  
 INSULATION RESISTANCE: 1000 MΩ MIN AT 500 VDC.  
 CONTACT RESISTANCE: 30mΩ MAX.  
 TEMPERATURE RANGE: -55°C ~ +105°C

NOTE : SOME SIZES, STYLES AND OPTION ARE NON-STANDARD, NON-CANCELLABLE, NON-RETURNABLE

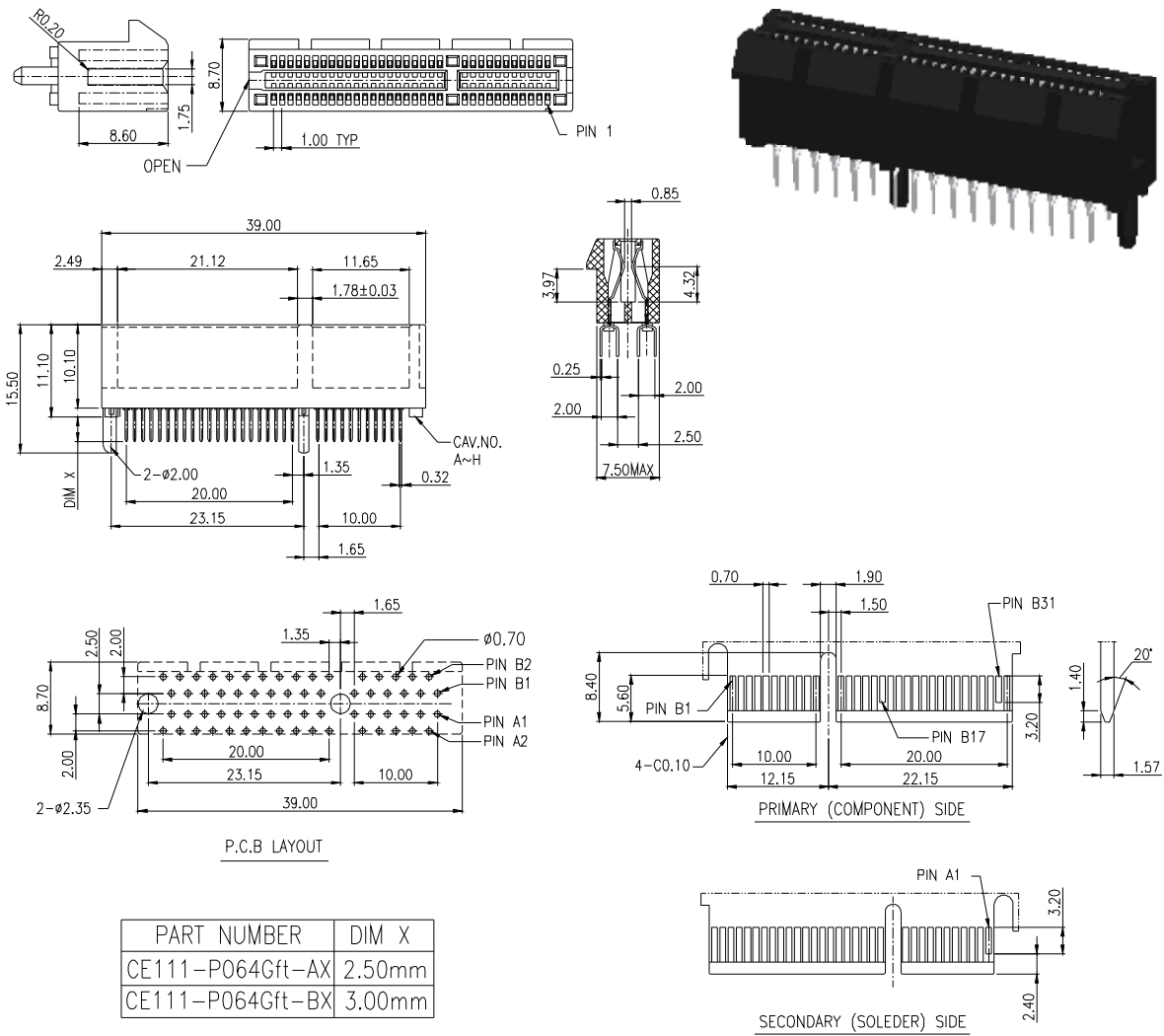
[www.mmtmachrone.com](http://www.mmtmachrone.com)

USA TEL : 1-510-979-2188  
 FAX : 1-510-979-2189

TAIWAN TEL : 886-2-2755-3193  
 FAX : 886-2-2784-5109

SINGAPORE TEL : 65-6274-0566  
 FAX : 65-6274-7891

# CARD EDGE 111 SERIES 64 PINS STRAIGHT TYPE- P



PART NUMBER	DIM X
CE111-P064Gft-AX	2.50mm
CE111-P064Gft-BX	3.00mm

<b>CE</b>	<b>111</b>	-	<b>P</b>	<b>064</b>	-	<b>Gft</b>	-	<b>X</b>	<b>X</b>
CARD EDGE CONNECTOR	SERIES NO. 111: 1.00mm PITCH		PCB TYPE P: STRAIGHT TYPE	NO. OF PINS 64		CONTACT PLATING Gft: GOLD FLASH ON CONTACT, TIN PLATED ON SOLDER TAIL		PLASTIC COLOR OPTION 1: BLACK 5: WHITE	
						PIN LENGTH OPTION A: 2.50mm B: 3.00mm			

### MATERIALS

INSULATOR: NYLON 66+30%G.F OR PBT+30%G.F. UL 94V-0 RATED.  
 COLOR: WHITE OR BLACK.  
 CAV. NO: A ~ H  
 CONTACT: BRASS OR PHOSPHOR BRONZE.  
 PLATING: GOLD PLATING OVER NICKEL ON CONTACT AREA; TIN PLATING ON SOLDER TAIL.

### MECHANICAL

INSERTION FORCE: 1.15 GRAMS MAX PER CONTACT PAIR.  
 WITHDRAWAL FORCE: 0.15 GRAMS MIN PER CONTACT PAIR.  
 CONTACT RETENTION FORCE: 4.9N MIN PER CONTACT PAIR.

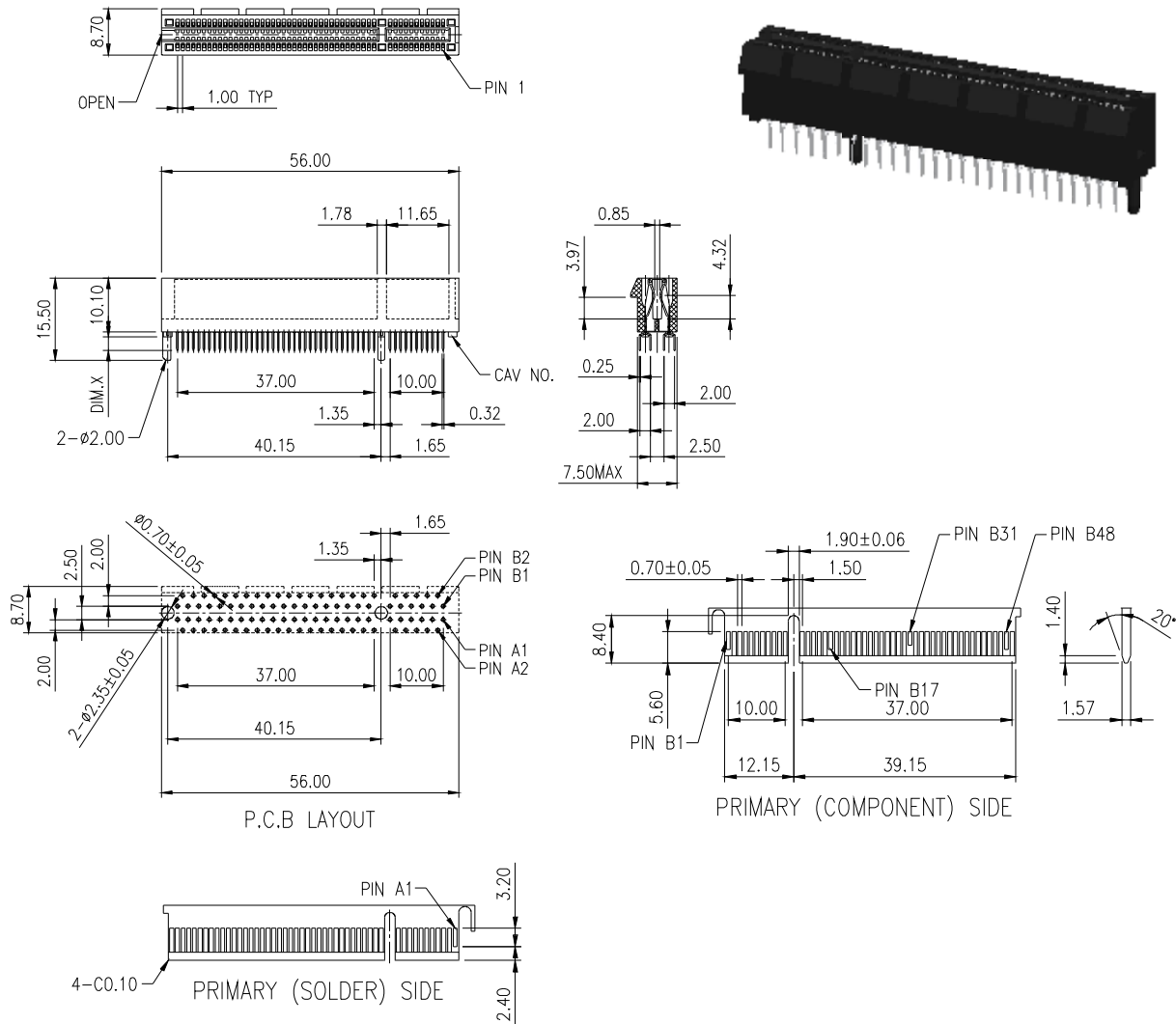
### ELECTRICAL

CURRENT RATING: 1.1 AMP.  
 INSULATION RESISTANCE: 1000MΩ MIN AT 500 VDC.  
 CONTACT RESISTANCE: 30mΩ MAX.  
 TEMPERATURE RANGE: -55°C ~ +105°C

NOTE : SOME SIZES, STYLES AND OPTION ARE NON-STANDARD, NON-CANCELLABLE, NON-RETURNABLE



# CARD EDGE 111 SERIES 98 PINS STRAIGHT TYPE- P

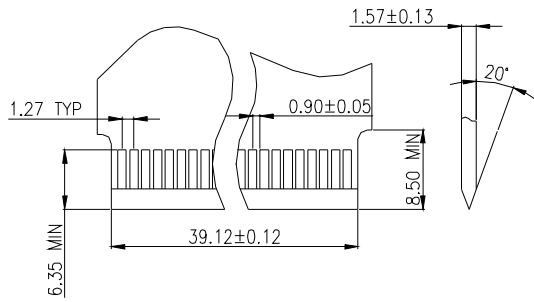


<b>CE</b>	<b>111</b>	<b>P</b>	<b>098</b>	<b>Gft</b>	<b>X</b>	<b>X</b>
<b>CARD EDGE CONNECTOR</b>	<b>SERIES NO.</b> 111: 1.00mm PITCH	<b>PCB TYPE</b> P: STRAIGHT TYPE	<b>NO. OF PINS</b> 98	<b>CONTACT PLATING</b> Gft: GOLD FLASH ON CONTACT, TIN PLATED ON SOLDER TAIL	<b>PLASTIC COLOR OPTION</b> 1: BLACK 5: WHITE	
<b>PIN LENGTH OPTION</b> A: 2.50mm B: 3.00mm						

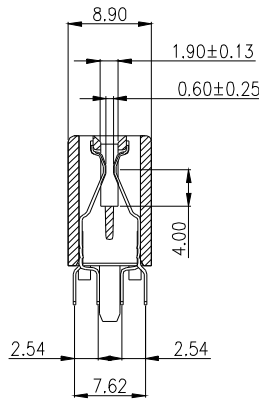
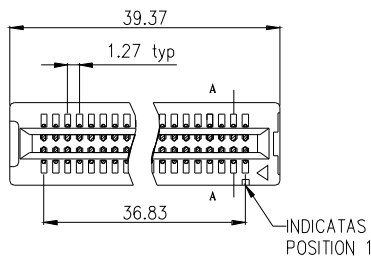
<p><b>MATERIALS</b></p> <p>INSULATOR: NYLON 46+30%G.F. OR PBT +30%G.F. UL 94V-0 RATED.</p> <p>COLOR: WHITE OR BLACK.</p> <p>CAV. NO: A ~ H</p> <p>CONTACT: BRASS OR PHOSPHOR BRONZE.</p> <p>PLATING: GOLD PLATING OVER NICKEL ON CONTACT AREA; TIN PLATING ON SOLDER TAIL.</p>	<p><b>MECHANICAL</b></p> <p>INSERTION FORCE: 1.15 GRAMS MAX PER CONTACT PAIR.</p> <p>WITHDRAWAL FORCE: 0.15 GRAMS MIN PER CONTACT PAIR.</p> <p>CONTACT RETENTION FORCE: 4.9N MIN PER CONTACT PAIR.</p>	<p><b>ELECTRICAL</b></p> <p>CURRENT RATING: 1.1 AMP.</p> <p>INSULATION RESISTANCE: 1000MΩ MIN AT 500 VDC.</p> <p>CONTACT RESISTANCE: 30mΩ MAX.</p> <p>TEMPERATURE RANGE: -55°C ~ +105°C</p>
--	--	---

NOTE : SOME SIZES, STYLES AND OPTION ARE NON-STANDARD, NON-CANCELLABLE, NON-RETURNABLE

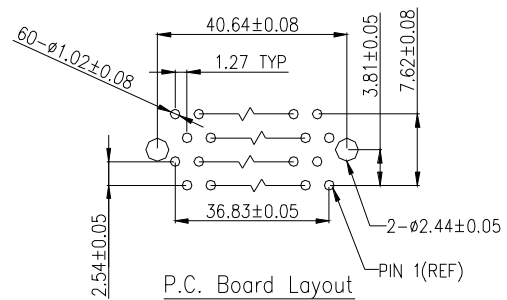
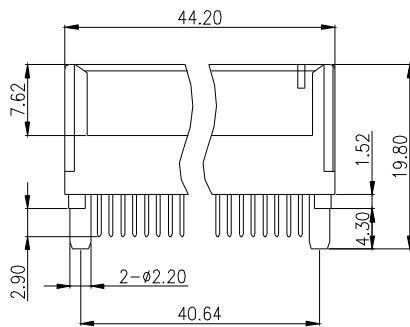
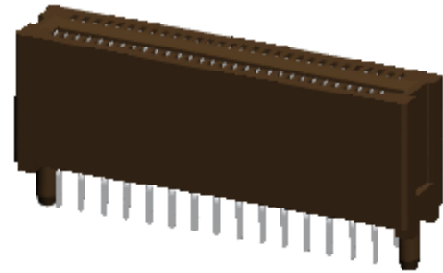
# CARD EDGE 200 SERIES 60 PINS STRAIGHT TYPE- P



Daughter Card Requirements



Section A-A



P.C. Board Layout

<b>CE</b>	<b>200</b>	<b>L</b>	<b>P</b>	<b>0601</b>	<b>Gft</b>
CARD EDGE CONNECTOR	SERIES NO. 200: 1.27mm PITCH	LEAD FREE	PCB TYPE P: STRAIGHT TYPE	NO. OF PINS 60	CONTACT PLATING Gft: GOLD FLASH ON CONTACT, TIN PLATED ON SOLDER TAIL

### MATERIALS

BODY: PLOYPHENYLEN SULFIDE(PPS),  
GLASS-REINFORCED THERMOPLASTIC  
RATED UL 94V-0, COLOR BROWN.  
CONTACTS: COPPER ALLOY  
CONTACT PLATING: GOLD PLATING OVER  
NICKEL ON CONTACT AREA, TIN/LEAD  
PLATING ON TERMINAL.

### MECHANICAL

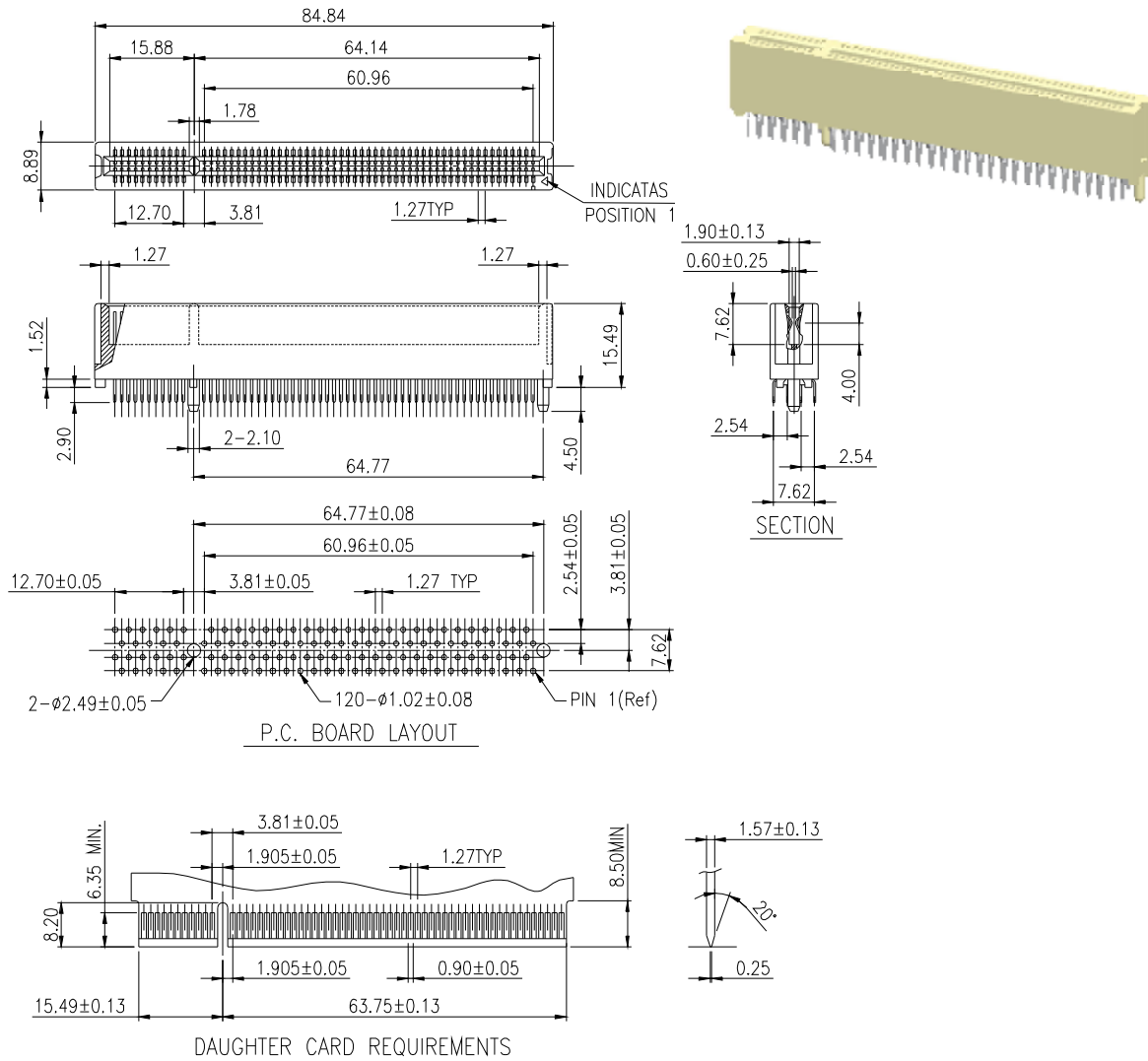
CONTACT NORMAL FORCE: 75 GRAMS.  
DURABILITY: 100 CYCLES.  
INSERTION FORCE: 198 GRAMS.  
WITHDRAWAL FORCE: 28 GRAMS.

### ELECTRICAL

CONTACT RESISTANCE: 30mΩ .  
CURRENT RATING: 1 AMP.  
INSULATION RESISTANCE: 1000MΩ MIN.  
OPERATION VOLTAGE: 125 VAC MAX.  
DIELECTRIC WITHSTANDING VOLTAGE: 500 VAC  
1 MINUTE FOR 1000 VAC 1 SEC.  
OPERATING TEMPERATURE: -55°C ~ +105°C

NOTE : SOME SIZES, STYLES AND OPTION ARE NON-STANDARD, NON-CANCELLABLE, NON-RETURNABLE

# CARD EDGE 200 SERIES 120 PINS STRAIGHT TYPE- P

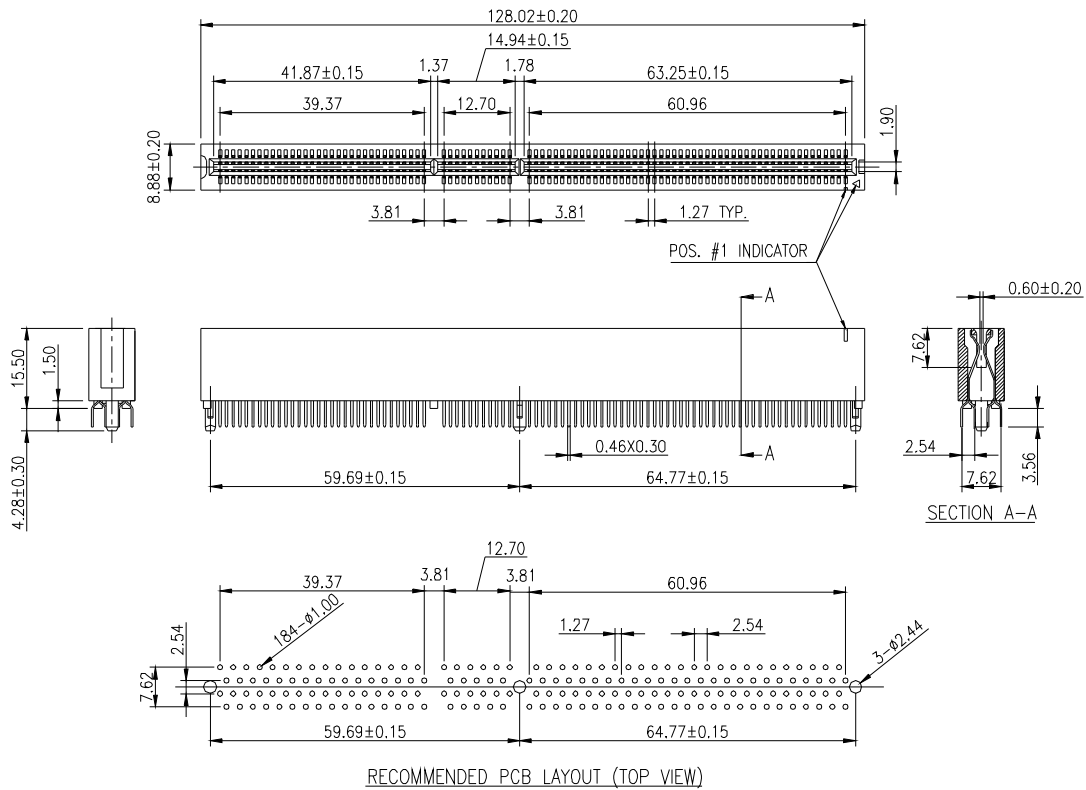
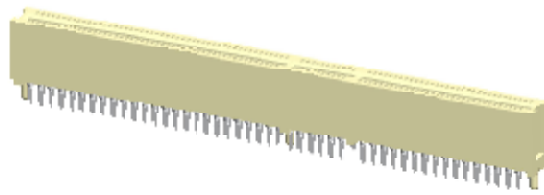


<b>CE</b>	<b>200</b>	<b>P</b>	<b>120</b>	<b>Gft</b>	<b>H</b>
<b>CARD EDGE CONNECTOR</b>	<b>SERIES NO.</b> 200: 1.27mm PITCH	<b>PCB TYPE</b> P: STRAIGHT TYPE	<b>NO. OF PINS</b> 120	<b>CONTACT PLATING</b> Gft: GOLD FLASH ON CONTACT, TIN PLATED ON SOLDER TAIL	<b>PLASTIC TYPE OPTION</b> BLANK: POLYPHENYLENE SULFIDE (PPS) H: HIGH TEMPERATURE THERMOPLASTIC

<p><b>MATERIALS</b></p> <p>BODY: POLYPHENYLENE SULFIDE (PPS) OR HIGH TEMPERATURE THERMOPLASTIC UL 94V-0.</p> <p>CONTACT: COPPER ALLOY</p> <p>CONTACT PLATING: GOLD PLATING OVER NICKEL ON CONTACT AREA, TIN PLATING ON SOLDER TAIL.</p>	<p><b>MECHANICAL</b></p> <p>CONTACT NORMAL FORCE: 75 GRAMS.</p> <p>DURABILITY: 100 CYCLES.</p> <p>INSERTION FORCE: 196gf MAX.</p> <p>WITHDRAWAL FORCE: 28gf MIN.</p> <p>CONTACT RETENTION: 1 lb MIN.</p>	<p><b>ELECTRICAL</b></p> <p>CONTACT RESISTANCE: 30mΩ 10mΩ MAX. INCREASE THROUGH TESTING.</p> <p>DIELECTRIC WITHSTANDING VOLTAGE: 500 VAC 1 MINUTE OR 1000 VAC 1 MINUTE.</p> <p>CURRENT RATING: 1 AMP.</p> <p>INSULATION RESISTANCE: 1000 MΩ MIN.</p> <p>OPERATION VOLTAGE: 125 VAC MAX.</p> <p>CAPACITANCE: 2 pF MAX.</p> <p>OPERATING TEMPERATURE: - 55°C ~ + 105°C</p>
---	--	--

NOTE : SOME SIZES, STYLES AND OPTION ARE NON-STANDARD, NON-CANCELLABLE, NON-RETURNABLE

# CARD EDGE 200 SERIES 184 PINS STRAIGHT TYPE- P



<b>CE</b>	<b>200</b>	<b>P</b>	<b>184</b>	<b>Gf</b>
CARD EDGE CONNECTOR	SERIES NO. 200: 1.27mm PITCH	PCB TYPE P: STRAIGHT TYPE	NO. OF PINS 184	CONTACT PLATING Gf: GOLD FLASH OVER ALL

### MATERIALS

INSULATOR: GLASS-REINFORCED THERMOPLASTIC UL 94V-0.  
CONTACT: COPPER ALLOY  
PLATING:  
MATING AREA- SELECTED GOLD OVER NICKEL.  
SOLDER AREA- TIN/LEAD OVER NICKEL.

### MECHANICAL

CONTACT NORMAL FORCE: 460 GRAMS.  
INSERTION FORCE: 230 GRAM MAX.  
WITHDRAWAL FORCE: 15 GRAM MIN.

### ELECTRICAL

OPERATING TEMPERATURE: -55°C ~ +105°C

NOTE : SOME SIZES, STYLES AND OPTION ARE NON-STANDARD, NON-CANCELLABLE, NON-RETURNABLE

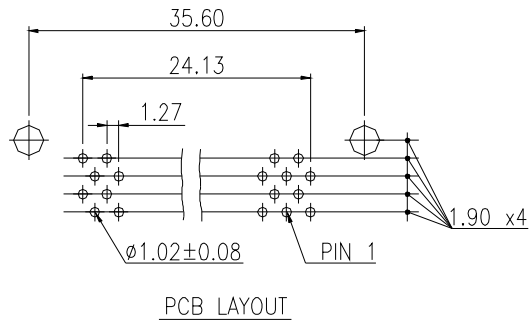
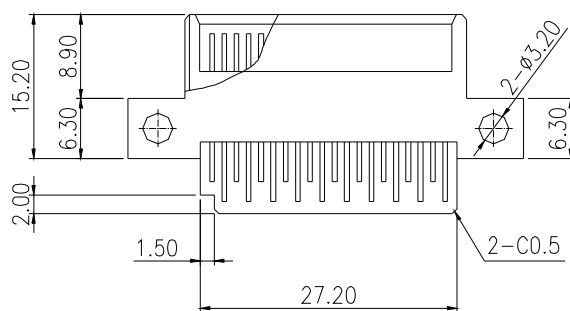
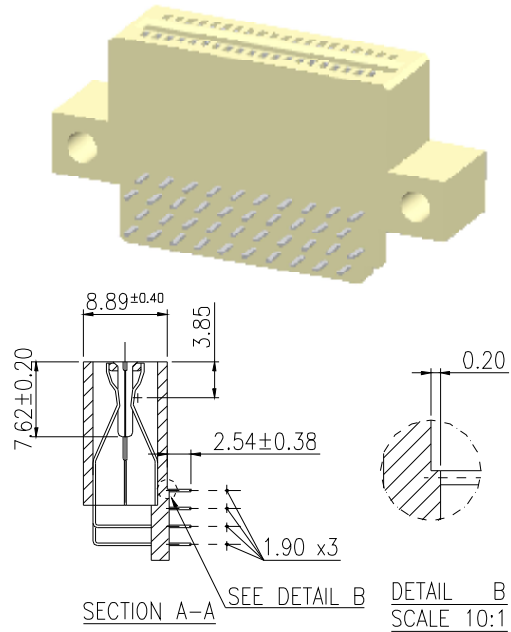
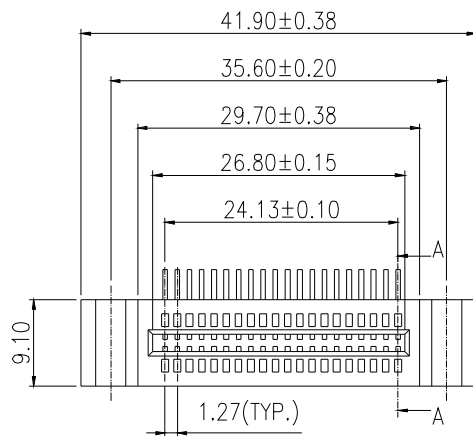
[www.mmtmachrone.com](http://www.mmtmachrone.com)

USA TEL : 1-510-979-2188  
FAX : 1-510-979-2189

TAIWAN TEL : 886-2-2755-3193  
FAX : 886-2-2784-5109

SINGAPORE TEL : 65-6274-0566  
FAX : 65-6274-7891

# CARD EDGE 200 SERIES 40 PINS RIGHT ANGLE TYPE- Pa



<b>CE</b>	<b>200</b>	<b>Pa</b>	<b>040</b>	<b>GX</b>	<b>E</b>
<b>CARD EDGE CONNECTOR</b>	<b>SERIES NO.</b> 200: 1.27mm PITCH	<b>PCB TYPE</b> Pa: RIGHT ANGLE TYPE	<b>NO. OF PINS</b> 40	<b>CONTACT PLATING OPTION</b> Gf: GOLD FLASH ON CONTACT, TIN PLATED ON SOLDER TAIL G10: 10u" GOLD ON CONTACT, TIN PLATED ON SOLDER TAIL G15: 15u" GOLD ON CONTACT, TIN PLATED ON SOLDER TAIL G30: 30u" GOLD ON CONTACT, TIN PLATED ON SOLDER TAIL	<b>EAR OPTION</b> E: WITH MOUNTING EAR

### MATERIALS

INSULATOR: GLASS-REINFORCED THERMOPLASTIC (PBT, UL 94V-0)  
CONTACT: PHOSPHOR BRONZE  
PLATING:  
MATING AREA- GOLD FLASH OVER NICKEL.  
SOLDER AREA- TIN/LEAD OVER NICKEL.

### MECHANICAL

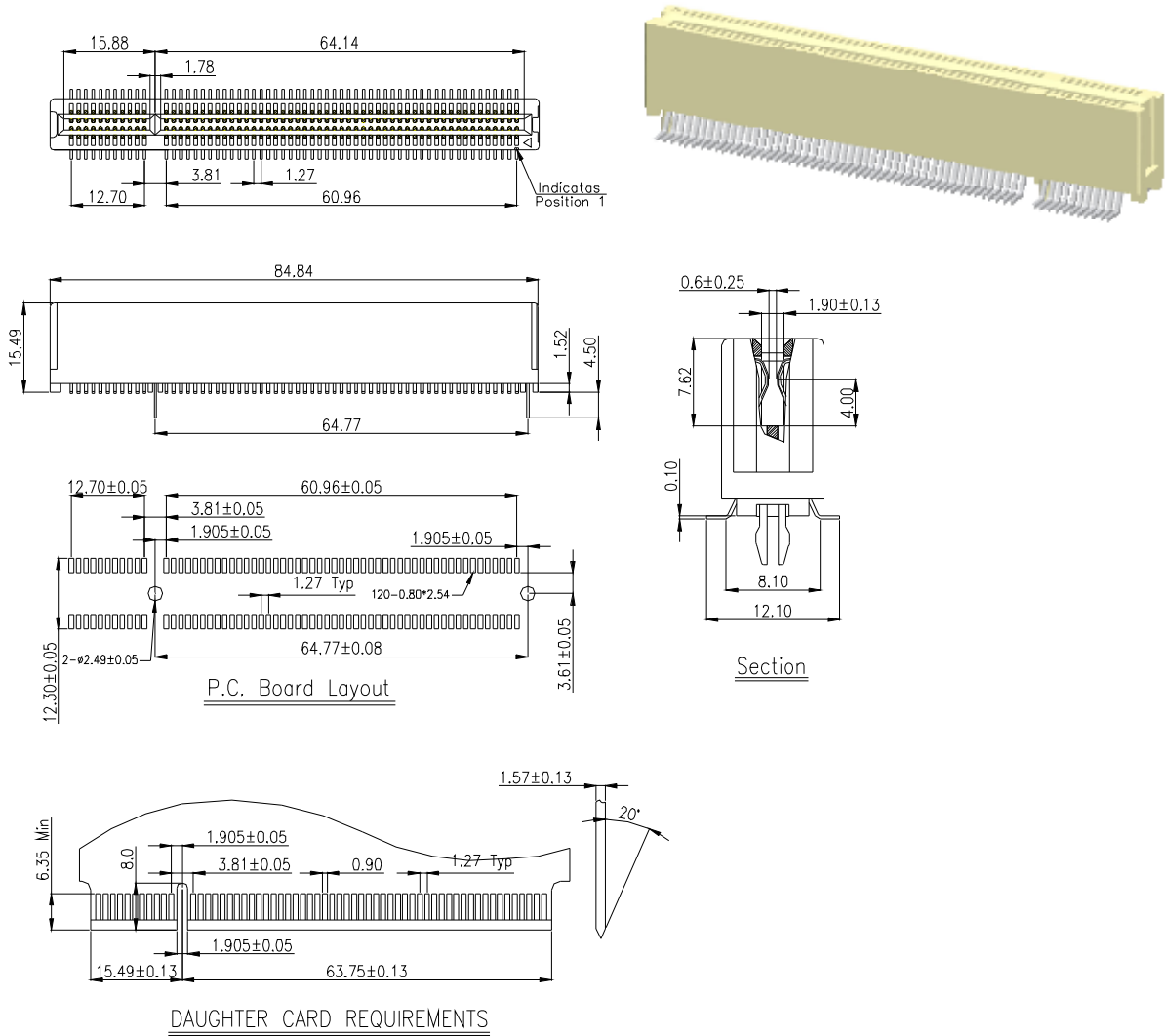
CONTACT NORMAL FORCE: 460 GRAMS.  
INSERTION FORCE: 230 GRAM MAX.  
WITHDRAWAL FORCE: 15 GRAM MIN.

### ELECTRICAL

OPERATING TEMPERATURE: -55°C ~ +85°C

NOTE : SOME SIZES, STYLES AND OPTION ARE NON-STANDARD, NON-CANCELLABLE, NON-RETURNABLE

# CARD EDGE 200 SERIES 120 PINS SMT TYPE- Pt

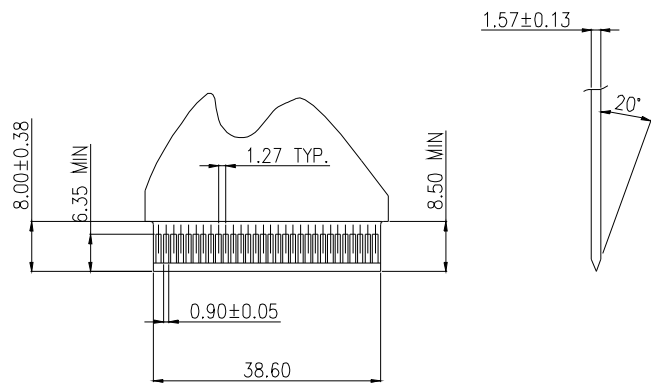
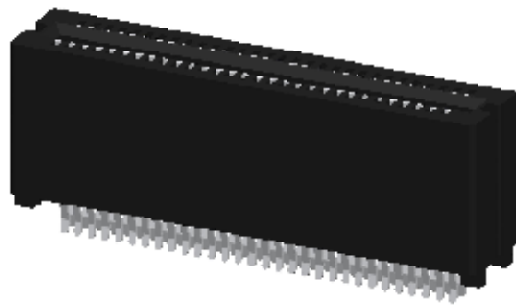


<b>CE</b>	<b>200</b>	<b>-</b>	<b>Pt</b>	<b>120</b>	<b>Gft</b>
<b>CARD EDGE CONNECTOR</b>	<b>SERIES NO.</b> 200: 1.27mm PITCH		<b>PCB TYPE</b> Pt: SURFACE MOUNT TYPE	<b>NO. OF PINS</b> 120	<b>CONTACT PLATING</b> Gft: GOLD FLASH ON CONTACT, TIN PLATED ON SOLDER TAIL

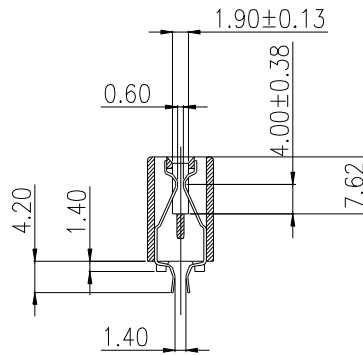
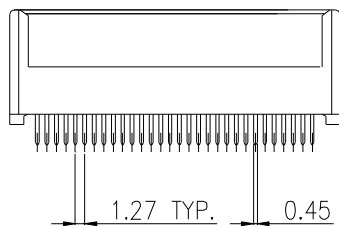
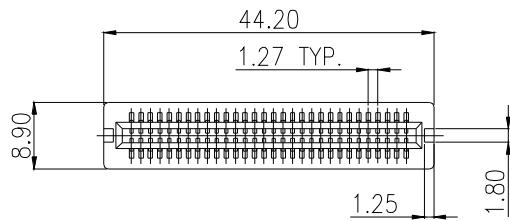
<p><b>MATERIALS</b></p> <p>INSULATOR: POLY PHENYLENE SULFIDE (P.P.S) RATED UL 94V-0.</p> <p>CONTACT: COPPER ALLOY</p> <p>PLATING: GOLD PLATING OVER NICKEL ON CONTACT AREA TIN PLATING ON SOLDER TAIL.</p>	<p><b>MECHANICAL</b></p> <p>CONTACT NORMAL FORCE: 75 GRAMS.</p> <p>DURABILITY: 100 CYCLES.</p> <p>INSERTION FORCE: 196 GRAM MAX.</p> <p>WITHDRAWAL FORCE: 28 GRAM MIN.</p> <p>CONTACT RETENTION: 1 LB. MIN.</p>	<p><b>ELECTRICAL</b></p> <p>CONTACT RESISTANCE: 30mΩ MAX. INITIAL, 10mΩ MAX. INCREASE THROUGH TESTING.</p> <p>DIELECTRIC WITHSTANDING VOLTAGE: 500 VAC ONE MINUTE OR 1000 VAC ONE SECONDS.</p> <p>CURRENT RATING: 1 AMP.</p> <p>INSULATION RESISTANCE: 1000MΩ MIN.</p> <p>OPERATION VOLTAGE: 125 VAC MAX.</p> <p>CAPACITANCE: 2 PF MAX.</p> <p>OPERATING TEMPERATURE: -55°C ~ +105°C</p>
--	---	--

NOTE : SOME SIZES, STYLES AND OPTION ARE NON-STANDARD, NON-CANCELLABLE, NON-RETURNABLE

# CARD EDGE 200 SERIES 60 PINS STRADDLE MOUNT TYPE- Ste



DAUGHTER CARD REQUIREMENTS



SECTION

<b>CE</b>	<b>200</b>	<b>Ste</b>	<b>60</b>	<b>GX</b>
<b>CARD EDGE CONNECTOR</b>	<b>SERIES NO.</b> 200: 1.27mm PITCH	<b>PCB TYPE</b> Ste: STRADDLE MOUNT TYPE	<b>NO. OF PINS</b> 60	<b>CONTACT PLATING OPTION</b> Gf: GOLD FLASH ON CONTACT, TIN PLATED ON SOLDER TAIL G10: 10µt GOLD ON CONTACT, TIN PLATED ON SOLDER TAIL

**MATERIALS**

INSULATOR: POLY PHENYLENE SULFIDE (P.P.S) UL 94V-0, COLOR BROWN.  
CONTACT: PHOSPHOR BRONZE  
PLATING: GOLD PLATING OVER NICKEL ON CONTACT AREA TIN/LEAD PLATING ON SOLDER TAIL.

**MECHANICAL**

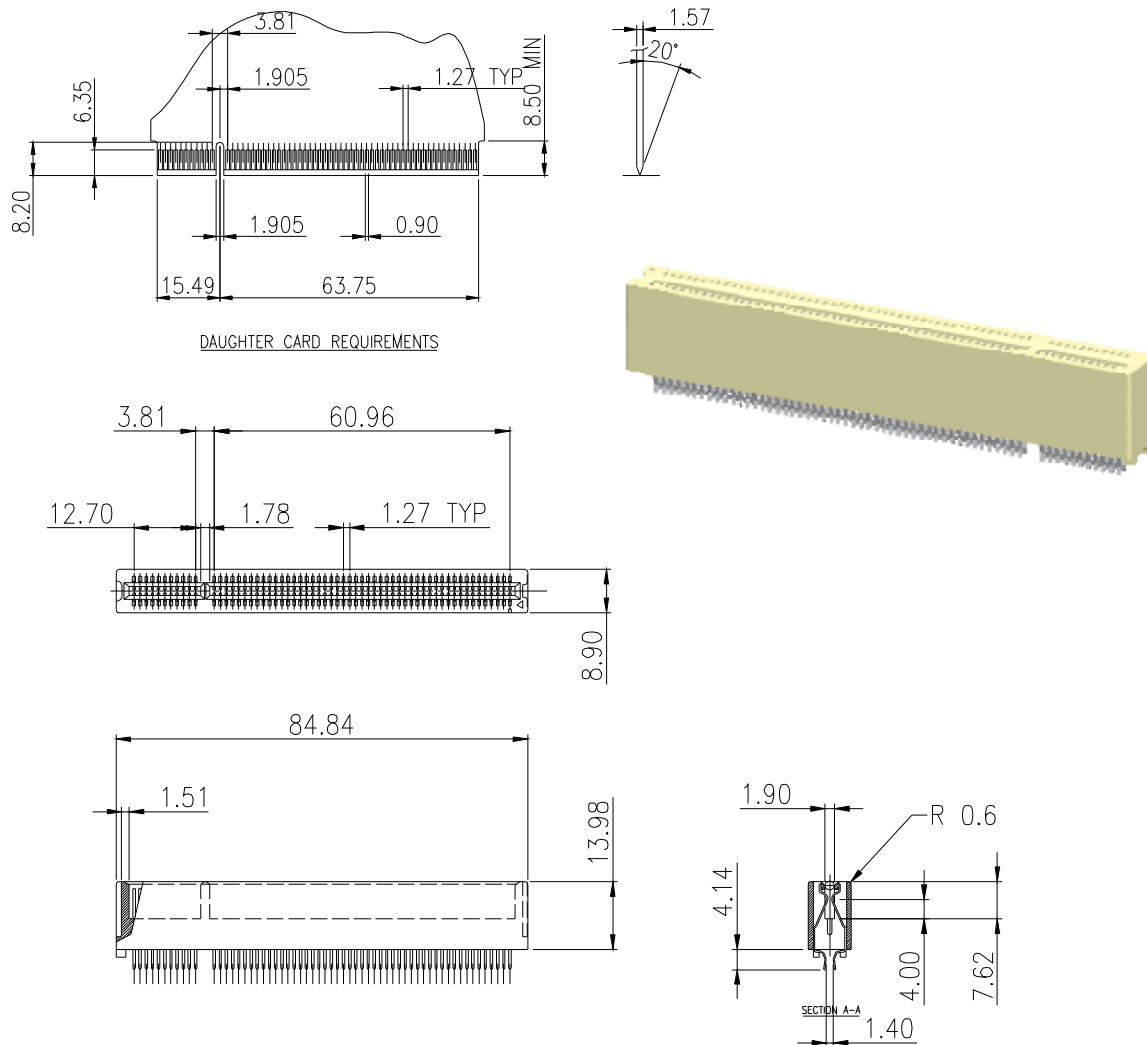
CONTACT NORMAL FORCE: 75 GRAMS.  
DURABILITY: 100 CYCLES.  
INSERTION FORCE: 196 GRAM MAX.  
WITHDRAWAL FORCE: 28 GRAM MIN.  
CONTACT RETENTION: 1 LB MIN.

**ELECTRICAL**

CONTACT RESISTANCE: 30mΩ MAX. INITIAL, 10mΩ MAX. INCREASE THROUGH TESTING.  
DIELECTRIC WITHSTANDING VOLTAGE: 500 VAC ONE MINUTE OR 1000 VAC ONE SECONDS.  
CURRENT RATING: 1 AMP.  
INSULATION RESISTANCE: 1000MΩ MIN.  
OPERATION VOLTAGE: 125 VAC MAX.  
CAPACITANCE: 2 PF MAX.  
OPERATING TEMPERATURE: -55°C ~ +105°C

NOTE : SOME SIZES, STYLES AND OPTION ARE NON-STANDARD, NON-CANCELLABLE, NON-RETURNABLE

# CARD EDGE 200 SERIES 120 PINS STRADDLE MOUNT TYPE- Ste



<b>CE</b>	<b>200</b>	<b>Ste</b>	<b>120</b>	<b>Gft</b>
<b>CARD EDGE CONNECTOR</b>	<b>SERIES NO.</b> 200: 1.27mm PITCH	<b>PCB TYPE</b> Ste: STRADDLE MOUNT TYPE	<b>NO. OF PINS</b> 120	<b>CONTACT PLATING</b> Gft: GOLD FLASH ON CONTACT, TIN PLATED ON SOLDER TAIL

### MATERIALS

INSULATOR: PPS OR PPT, UL 94V-0 PATED.  
CONTACT: BRASS  
PLATING: GOLD PLATING OVER NICKEL ON CONTACT AREA TIN/LEAD PLATING ON SOLDER TAIL.

### MECHANICAL

CONTACT NORMAL FORCE: 75 GRAMS.  
DURABILITY: 100 CYCLES.  
INSERTION FORCE: 196 GRAM MAX.  
WITHDRAWAL FORCE: 28 GRAM MIN.  
CONTACT RETENTION: 1 LB MIN.

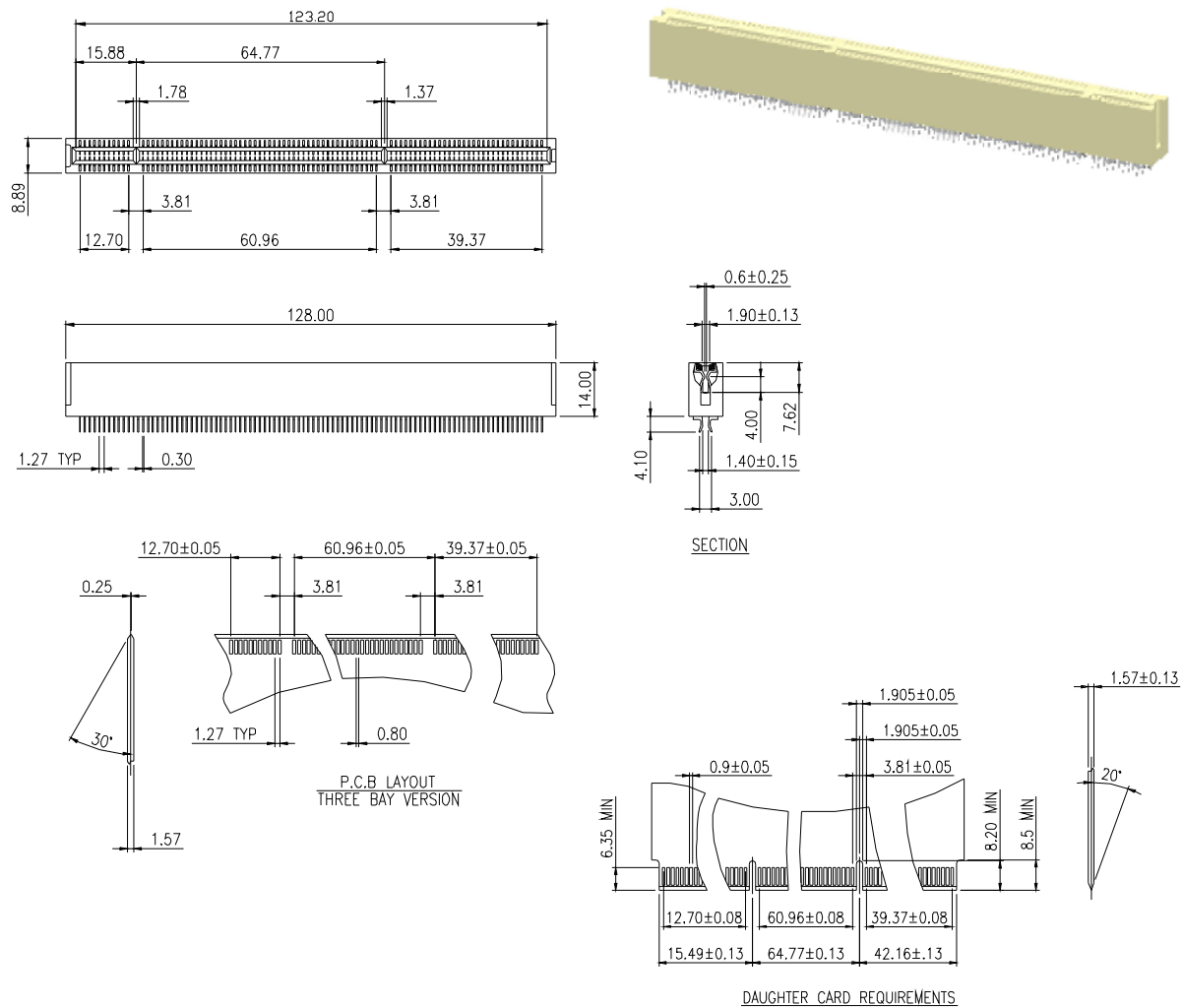
### ELECTRICAL

CONTACT RESISTANCE: 30mΩ MAX. INITIAL, 10mΩ MAX. INCREASE THROUGH TESTING.  
DIELECTRIC WITHSTANDING VOLTAGE: 500 VAC ONE MINUTE OR 1000 VAC ONE SECONDS.  
CURRENT RATING: 1 AMP.  
INSULATION RESISTANCE: 1000 MΩ MIN.  
OPERATION VOLTAGE: 125 VAC MAX.  
OPERATING TEMPERATURE: -55°C ~ +105°C

NOTE : SOME SIZES, STYLES AND OPTION ARE NON-STANDARD, NON-CANCELLABLE, NON-RETURNABLE



# CARD EDGE 200 SERIES 184 PINS STRADDLE MOUNT TYPE- Ste ( 3.3V)

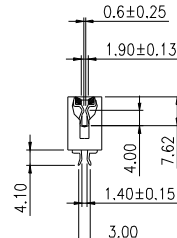
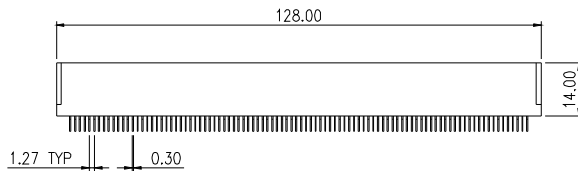
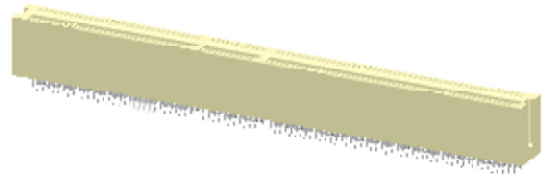
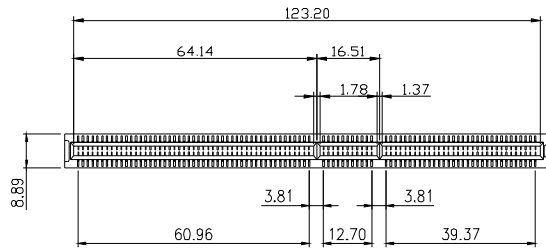


<b>CE</b>	<b>200</b>	<b>Ste</b>	<b>184</b>	<b>Gft</b>	<b>(3.3V)</b>
CARD EDGE CONNECTOR	SERIES NO. 200: 1.27mm PITCH	PCB TYPE Ste: STRADDLE MOUNT TYPE	NO. OF PINS 184	CONTACT PLATING Gft: GOLD FLASH ON CONTACT, TIN PLATED ON SOLDER TAIL	VOLTAGE 3.3: 3.3 V

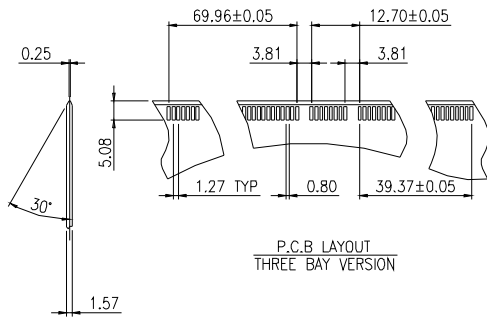
<p><b>MATERIALS</b></p> <p>INSULATOR: HIGH TEMPERATURE THERMOPLASTIC (PBT) UL 94V-0, COLOR BROWN.</p> <p>CONTACT: COPPER ALLOY</p> <p>PLATING: GOLD PLATING OVER NICKEL ON CONTACT AREA TIN/LEAD PLATING ON TERMINAL.</p>	<p><b>MECHANICAL</b></p> <p>CONTACT NORMAL FORCE: 75 GRAMS.</p> <p>DURABILITY: 100 CYCLES.</p> <p>INSERTION FORCE: 228 GRAM MAX.</p> <p>WITHDRAWAL FORCE: 28 GRAM MIN.</p> <p>CONTACT RETENTION: 1 LB MIN.</p>	<p><b>ELECTRICAL</b></p> <p>CONTACT RESISTANCE: 30mΩ MAX. INITIAL, 10mΩ MAX. INCREASE THROUGH TESTING.</p> <p>DIELECTRIC WITHSTANDING VOLTAGE: 500 VAC ONE MINUTE OR 1000 VAC ONE SECONDS.</p> <p>CURRENT RATING: 1 AMP.</p> <p>INSULATION RESISTANCE: 1000MΩ MIN.</p> <p>OPERATION VOLTAGE: 125 VAC MAX.</p> <p>CAPACITANCE: 2 PF MAX</p> <p>OPERATING TEMPERATURE: -55°C ~ +105°C</p>
---	--	---

NOTE : SOME SIZES, STYLES AND OPTION ARE NON-STANDARD, NON-CANCELLABLE, NON-RETURNABLE

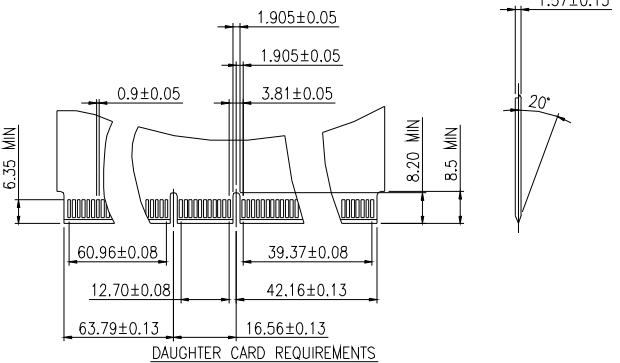
# CARD EDGE 200 SERIES 184 PINS STRADDLE MOUNT TYPE- Ste ( 5V)



SECTION



P.C.B LAYOUT  
THREE BAY VERSION



DAUGHTER CARD REQUIREMENTS

<b>CE</b>	<b>200</b>	<b>Ste</b>	<b>184</b>	<b>Gft</b>	<b>(5V)</b>
<b>CARD EDGE CONNECTOR</b>	<b>SERIES NO.</b> 200: 1.27mm PITCH	<b>PCB TYPE</b> Ste: STRADDLE MOUNT TYPE	<b>NO. OF PINS</b> 184	<b>CONTACT PLATING</b> Gft: GOLD FLASH ON CONTACT, TIN PLATED ON SOLDER TAIL	<b>VOLTAGE</b> 5: 5 V

### MATERIALS

INSULATOR: HIGH TEMPERATURE THERMOPLASTIC (PBT) UL 94V-0, COLOR BROWN.  
CONTACT: COPPER ALLOY  
PLATING: GOLD PLATING OVER NICKEL ON CONTACT AREA TIN/LEAD PLATING ON TERMINAL.

### MECHANICAL

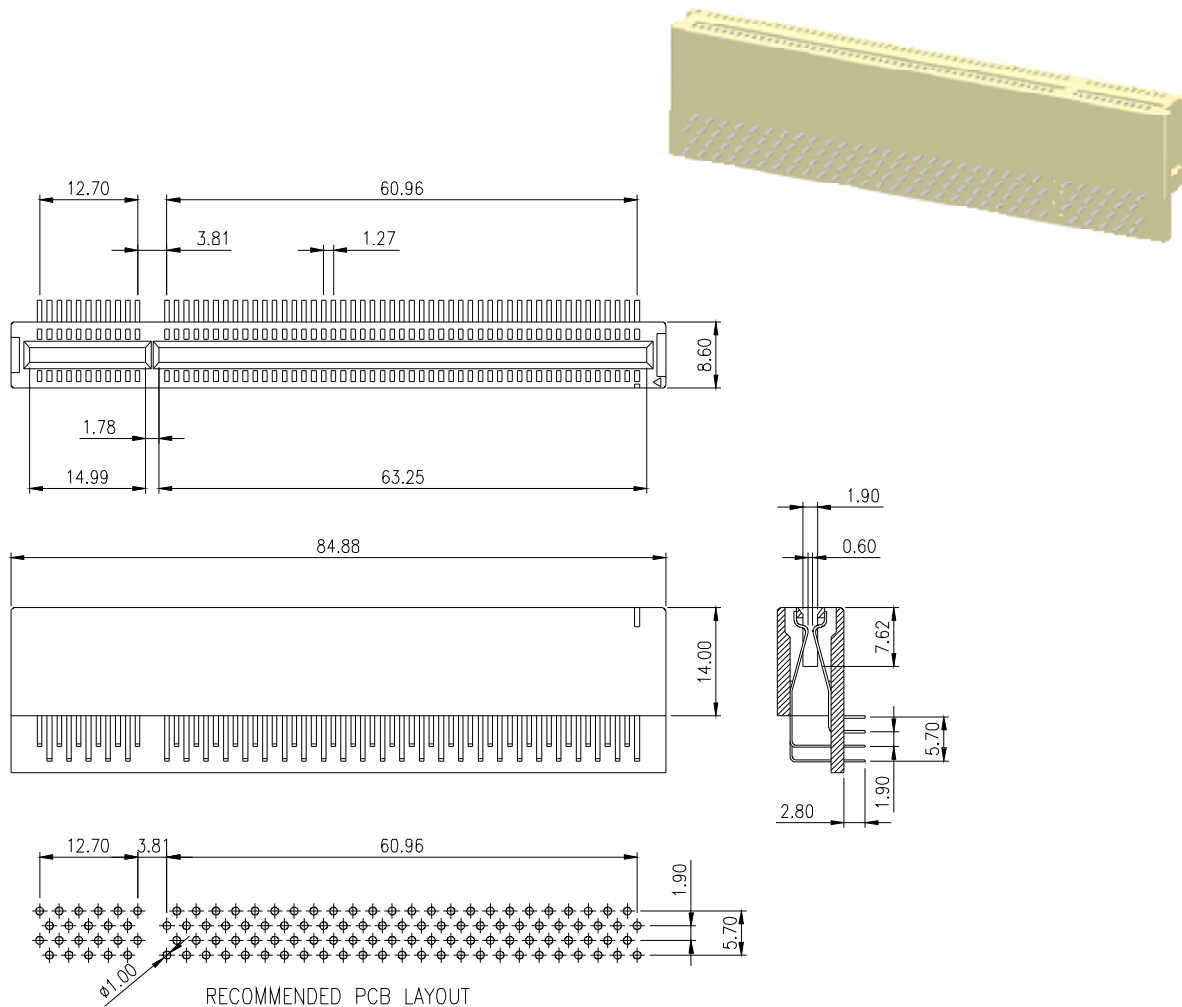
CONTACT NORMAL FORCE: 75 GRAMS.  
DURABILITY: 100 CYCLES.  
INSERTION FORCE: 228 GRAM MAX.  
WITHDRAWAL FORCE: 28 GRAM MIN.  
CONTACT RETENTION: 1 LB MIN.

### ELECTRICAL

CONTACT RESISTANCE: 30mΩ MAX. INITIAL, 10mΩ MAX. INCREASE THROUGH TESTING.  
DIELECTRIC WITHSTANDING VOLTAGE: 500 VAC ONE MINUTE OR 1000 VAC ONE SECONDS.  
CURRENT RATING: 1 AMP.  
INSULATION RESISTANCE: 1000MΩ MIN.  
OPERATION VOLTAGE: 125 VAC MAX.  
CAPACITANCE: 2 PF MAX  
OPERATING TEMPERATURE: -55°C ~ +105°C

NOTE : SOME SIZES, STYLES AND OPTION ARE NON-STANDARD, NON-CANCELLABLE, NON-RETURNABLE

# CARD EDGE 201 SERIES 120 PINS RIGHT ANGLE TYPE- Pa



<b>CE</b>	<b>201</b>	<b>Pa</b>	<b>120</b>	<b>Gft</b>
<b>CARD EDGE CONNECTOR</b>	<b>SERIES NO.</b> 201: 1.27mm PITCH	<b>PCB TYPE</b> Pa: RIGHT ANGLE TYPE	<b>NO. OF PINS</b> 120	<b>CONTACT PLATING</b> Gft: GOLD FLASH ON CONTACT, TIN PLATED ON SOLDER TAIL

## MATERIALS

INSULATOR: NY, UL 94V-0  
CONTACT: COPPER ALLOY  
PLATING: SELECTIVE GOLD FLASH

## ELECTRICAL

VOLTAGE CURRENT RATING: 1A, 30V AC.  
INSULATION RESISTANCE: 1000MΩ MIN.  
CONTACT RESISTANCE: 30MΩ MAX.  
DIELECTRIC WITHSTANDING VOLTAGE: AC 500V FOR 1 MINUTE.  
OPERATING TEMPERATURE: -55°C - +85°C

NOTE : SOME SIZES, STYLES AND OPTION ARE NON-STANDARD, NON-CANCELLABLE, NON-RETURNABLE

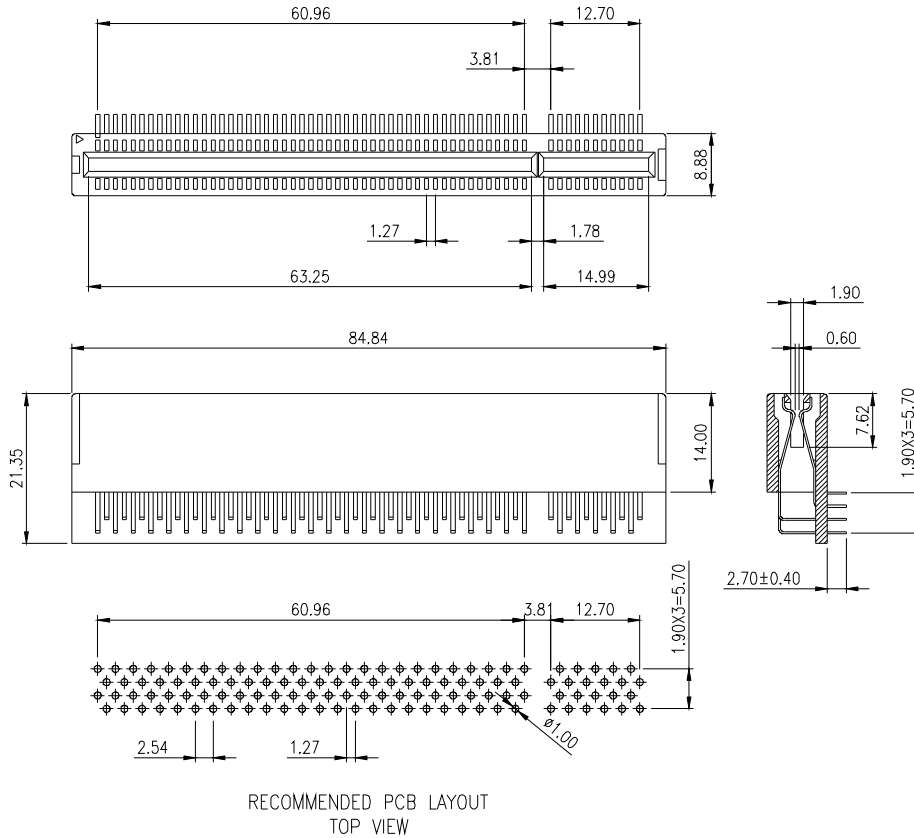
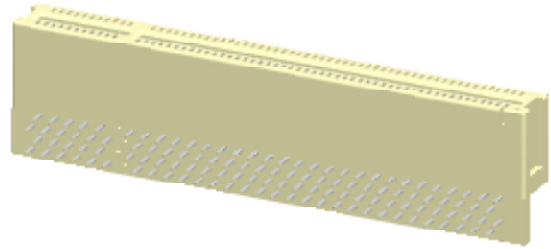
[www.mmtmachrone.com](http://www.mmtmachrone.com)

USA TEL : 1-510-979-2188  
FAX : 1-510-979-2189

TAIWAN TEL : 886-2-2755-3193  
FAX : 886-2-2784-5109

SINGAPORE TEL : 65-6274-0566  
FAX : 65-6274-7891

# CARD EDGE 201 SERIES 120 PINS RIGHT ANGLE TYPE- Pa



<b>CE</b>	<b>201</b>	<b>Pa</b>	<b>120</b>	<b>Gft</b>	<b>R</b>
<b>CARD EDGE CONNECTOR</b>	<b>SERIES NO.</b> 201: 1.27mm PITCH	<b>PCB TYPE</b> Pa: RIGHT ANGLE TYPE	<b>NO. OF PINS</b> 120	<b>CONTACT PLATING</b> Gft: GOLD FLASH ON CONTACT, TIN PLATED ON SOLDER TAIL	<b>INSERT TYPE</b> R: REVERSE TYPE

## MATERIALS

INSULATOR: NY, UL 94V-0  
CONTACT: COPPER ALLOY  
PLATING: SELECTIVE GOLD FLASH

## ELECTRICAL

VOLTAGE CURRENT RATING: 1A, 30V AC.  
INSULATION RESISTANCE: 1000MΩ MIN.  
CONTACT RESISTANCE: 30MΩ MAX.  
DIELECTRIC WITHSTANDING VOLTAGE: AC 500V FOR 1 MINUTE.  
OPERATING TEMPERATURE: -55°C - +85°C

NOTE : SOME SIZES, STYLES AND OPTION ARE NON-STANDARD, NON-CANCELLABLE, NON-RETURNABLE

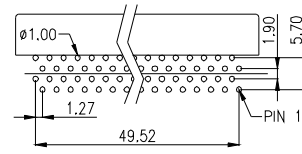
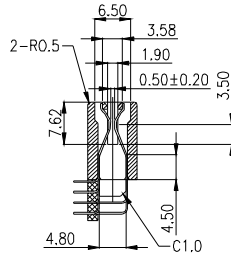
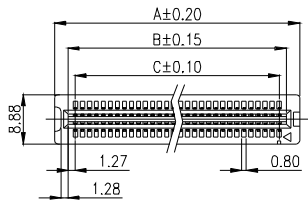
[www.mmtmachrone.com](http://www.mmtmachrone.com)

USA TEL : 1-510-979-2188  
FAX : 1-510-979-2189

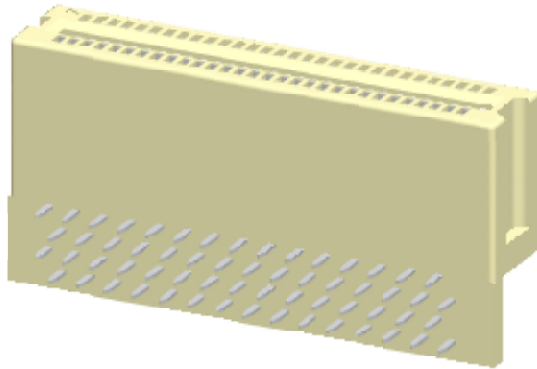
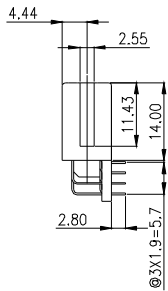
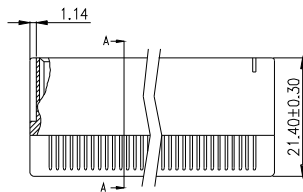
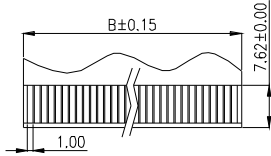
TAIWAN TEL : 886-2-2755-3193  
FAX : 886-2-2784-5109

SINGAPORE TEL : 65-6274-0566  
FAX : 65-6274-7891

# CARD EDGE 202 SERIES RIGHT ANGLE TYPE- Pa



RECOMMENDED PCB LAYOUT (TOP VIEW)



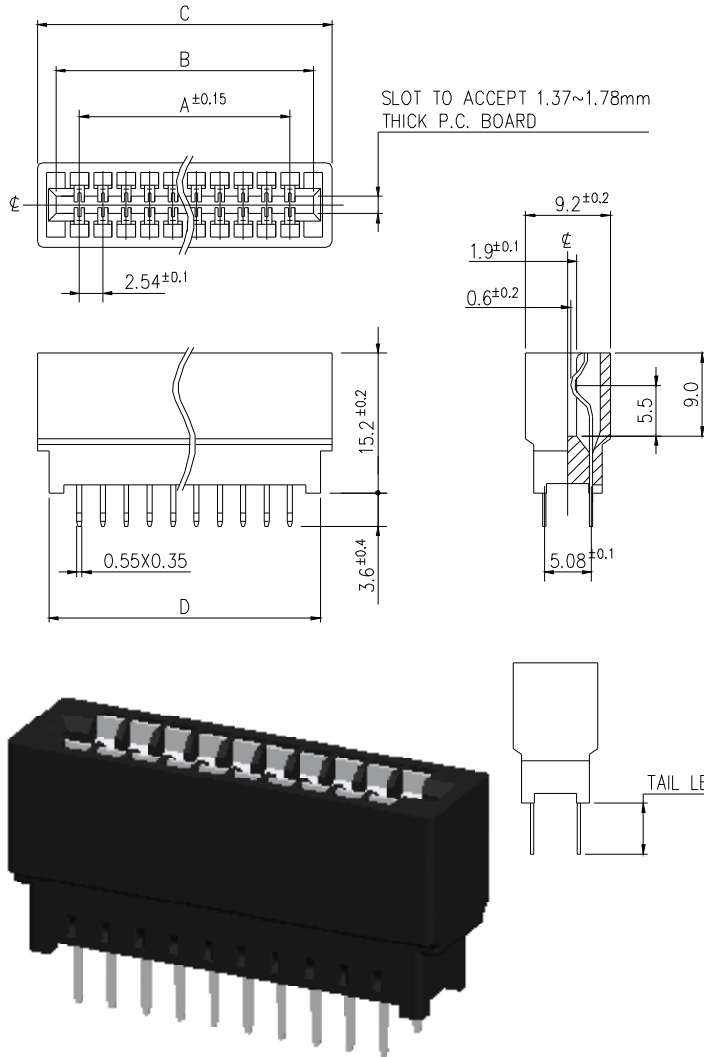
PART NO.	DIMENSION		
	A	B	C
CE202-Pa004G	8.64	3.81	1.27
CE202-Pa006G	9.91	5.08	2.54
CE202-Pa008G	11.18	6.35	3.81
CE202-Pa010G	12.45	7.62	5.08
CE202-Pa012G	13.72	8.89	6.35
CE202-Pa014G	14.99	10.16	7.62
CE202-Pa016G	16.26	11.43	8.89
CE202-Pa018G	17.53	12.70	10.16
CE202-Pa020G	18.80	13.97	11.43
CE202-Pa022G	20.07	15.24	12.70
CE202-Pa024G	21.34	16.51	13.97
CE202-Pa026G	22.61	17.78	15.24
CE202-Pa028G	23.88	19.05	16.51
CE202-Pa030G	25.15	20.32	17.78
CE202-Pa032G	26.42	21.59	19.05
CE202-Pa034G	27.69	22.86	20.32
CE202-Pa036G	28.96	24.13	21.59
CE202-Pa038G	30.23	25.40	22.86
CE202-Pa040G	31.50	26.67	24.13
CE202-Pa042G	32.77	27.94	25.40
CE202-Pa044G	34.04	29.21	26.67
CE202-Pa046G	35.31	30.48	27.94
CE202-Pa048G	36.58	31.75	29.21
CE202-Pa050G	37.85	33.02	30.48
CE202-Pa052G	39.12	34.29	31.75
CE202-Pa054G	40.39	35.56	33.02
CE202-Pa056G	41.66	36.83	34.29
CE202-Pa058G	42.93	38.10	35.56
CE202-Pa060G	44.20	39.37	36.83
CE202-Pa068G	49.28	44.45	41.91

<b>CE</b>	<b>202</b>	-	<b>Pa</b>	<b>XX</b>	<b>GX</b>
CARD EDGE CONNECTOR	SERIES NO. 202: 1.27mm PITCH		PCB TYPE Pa: RIGHT ANGLE TYPE	NO. OF PINS 04 - 68	CONTACT PLATING OPTION Gf: GOLD FLASH OVER ALL Gft: GOLD FLASH ON CONTACT, TIN PLATED ON SOLDER TAIL G10t: 10u" GOLD ON CONTACT, TIN PLATED ON SOLDER TAIL G15t: 15u" GOLD ON CONTACT, TIN PLATED ON SOLDER TAIL G30t: 30u" GOLD ON CONTACT, TIN PLATED ON SOLDER TAIL

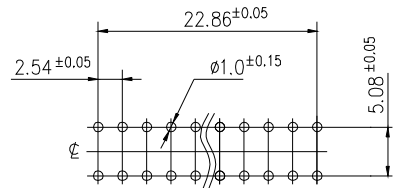
<p><b>MATERIALS</b> INSULATOR: HI-TEMP PPS UL 94V-0, 240°C. CONTACT: COPPER ALLOY. PLATING: GOLD PLATING OVER NICKEL ON CONTACT AREA TIN/LEAD PLATING ON SOLDER TAIL.</p>	<p><b>MECHANICAL</b> RETENTION FORCE: 460 GRAMS PER CONTACT. INSERTION FORCE: 230 GRAM MAX. WITHDRAWAL FORCE: 15 GRAM MIN.</p>	<p><b>ELECTRICAL</b> VOLTAGE RATING: 250 VAC RMS. CURRENT RATING: 1 AMP. CONTACT RESISTANCE: 30mΩ MAX. DIELECTRIC WITHSTANDING VOLTAGE: 500 VAC RMS 60Hz FOR 1 MINUTE. INSULATION RESISTANCE: DC 1000MΩ MIN AT 500 VDC MIN. OPERATING TEMPERATURE: -55°C ~ +85°</p>
---	--	---

NOTE : SOME SIZES, STYLES AND OPTION ARE NON-STANDARD, NON-CANCELLABLE, NON-RETURNABLE

# CARD EDGE 300 SERIES STRAIGHT TYPE- P



PART NO.	DIMENSION			
	A	B	C	D
CE300-P006GXX-X	5.08	10.16	14.22	11.62
CE300-P008GXX-X	7.62	12.70	16.76	14.16
CE300-P010GXX-X	10.16	15.24	19.30	16.70
CE300-P012GXX-X	12.70	17.78	21.84	19.24
CE300-P014GXX-X	15.24	20.32	24.38	21.78
CE300-P016GXX-X	17.78	22.86	26.92	24.32
CE300-P018GXX-X	20.32	25.40	29.46	26.86
CE300-P020GXX-X	22.86	27.94	32.00	29.40
CE300-P022GXX-X	25.40	30.48	34.54	31.94
CE300-P024GXX-X	27.94	33.02	37.08	34.48
CE300-P026GXX-X	30.48	35.56	39.62	37.02
CE300-P028GXX-X	33.02	38.10	42.16	39.56
CE300-P030GXX-X	35.56	40.64	44.70	42.10
CE300-P032GXX-X	38.10	43.18	47.24	44.64
CE300-P034GXX-X	40.64	45.72	49.78	47.18
CE300-P036GXX-X	43.18	48.26	52.32	49.72
CE300-P038GXX-X	45.72	50.80	54.86	52.26
CE300-P040GXX-X	48.26	53.34	57.40	54.80
CE300-P042GXX-X	50.80	55.88	59.94	57.34
CE300-P044GXX-X	53.34	58.42	62.48	59.88
CE300-P046GXX-X	55.88	60.96	65.02	62.42
CE300-P048GXX-X	58.42	63.50	67.56	64.96
CE300-P050GXX-X	60.96	66.04	70.10	67.50
CE300-P052GXX-X	63.50	68.58	72.64	70.04
CE300-P054GXX-X	66.04	71.12	75.18	72.58
CE300-P056GXX-X	68.58	73.66	77.72	75.12
CE300-P058GXX-X	71.12	76.20	80.26	77.66
CE300-P060GXX-X	73.66	78.74	82.80	80.20
CE300-P062GXX-X	76.20	81.28	85.34	82.74
CE300-P064GXX-X	78.74	83.82	87.88	85.28
CE300-P066GXX-X	81.28	86.36	90.42	87.82
CE300-P068GXX-X	83.82	88.90	92.96	90.36
CE300-P070GXX-X	86.36	91.44	95.50	92.90
CE300-P072GXX-X	88.90	93.98	98.04	95.44
CE300-P080GXX-X	99.06	114.14	108.20	105.60
CE300-P086GXX-X	106.68	111.76	115.82	113.22
CE300-P092GXX-X	114.30	119.38	123.44	120.84
CE300-P098GXX-X	129.54	134.62	138.68	136.08
CE300-P100GXX-X	124.46	129.54	133.60	131.00
CE300-P104GXX-X	129.54	134.62	138.66	136.08
CE300-P110GXX-X	137.16	142.24	146.30	143.70
CE300-P120GXX-X	149.86	154.94	159.00	156.40



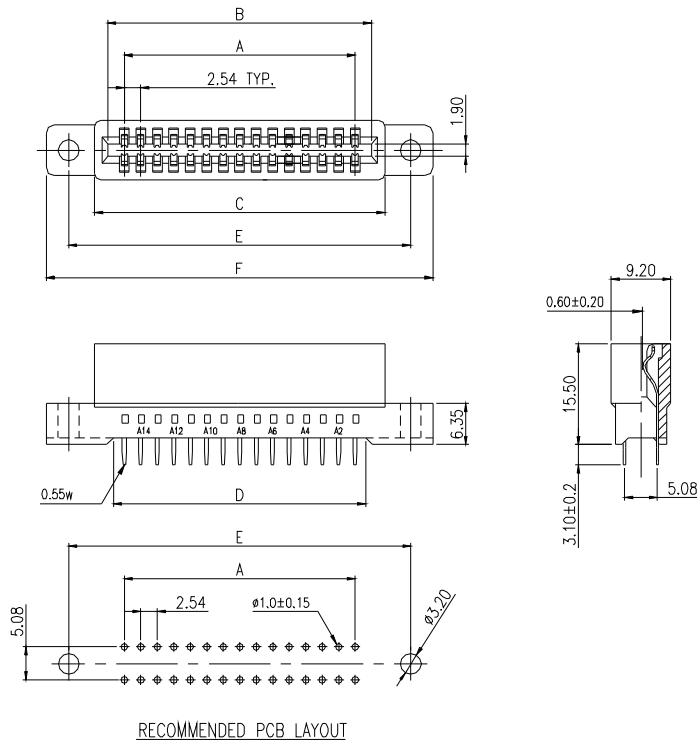
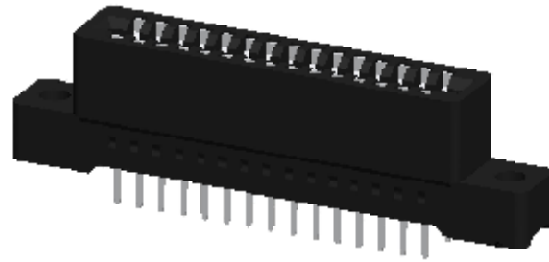
RECOMMENDED P.C.B. LAYOUT

<b>CE</b>	<b>300</b>	<b>P</b>	<b>XX</b>	<b>GX</b>	<b>X</b>
<b>CARD EDGE CONNECTOR</b>	<b>SERIES NO.</b> 300: 2.54mm PITCH	<b>PCB TYPE</b> P: STRAIGHT TYPE	<b>NO. OF PINS</b> 06 ~ 120	<b>CONTACT PLATING OPTION</b> Gf: GOLD FLASH OVER ALL Gft: GOLD FLASH ON CONTACT, TIN PLATED ON SOLDER TAIL G15t: 15u" GOLD ON CONTACT, TIN PLATED ON SOLDER TAIL G30t: 30u" GOLD ON CONTACT, TIN PLATED ON SOLDER TAIL	<b>TAIL LENGTH OPTION</b> BLANK: STANDARD LENGTH = 3.60mm 500: OPTION LENGTH = 5.00mm 1300: OPTION LENGTH = 13.00mm 2070: OPTION LENGTH = 20.70mm

<p><b>MATERIALS</b></p> <p>INSULATOR: HIGH TEMPERATURE THERMOPLASTIC (PBT) UL 94V-0, COLOR BROWN.</p> <p>CONTACT: COPPER ALLOY</p> <p>PLATING: GOLD PLATING OVER NICKEL ON CONTACT AREA TIN/LEAD PLATING ON TERMINAL.</p>	<p><b>MECHANICAL</b></p> <p>CONTACT NORMAL FORCE: 75 GRAMS.</p> <p>DURABILITY: 100 CYCLES.</p> <p>INSERTION FORCE: 228 GRAM MAX.</p> <p>WITHDRAWAL FORCE: 28 GRAM MIN.</p> <p>CONTACT RETENTION: 1 LB MIN.</p>	<p><b>ELECTRICAL</b></p> <p>CONTACT RESISTANCE: 30mΩ MAX. INITIAL, 10mΩ MAX. INCREASE THROUGH TESTING.</p> <p>DIELECTRIC WITHSTANDING VOLTAGE: 500 VAC ONE MINUTE OR 1000 VAC ONE SECONDS.</p> <p>CURRENT RATING: 1 AMP.</p> <p>INSULATION RESISTANCE: 1000 MΩ MIN.</p> <p>OPERATION VOLTAGE: 125 VAC MAX.</p> <p>CAPACITANCE: 2 PF MAX</p> <p>OPERATING TEMPERATURE: -55°C ~ +105°C</p>
---	--	--

NOTE : SOME SIZES, STYLES AND OPTION ARE NON-STANDARD, NON-CANCELLABLE, NON-RETURNABLE

# CARD EDGE 300 SERIES STRAIGHT TYPE- P



PART NO.	DIMENSION					
	A	B	C	D	E	F
CE300-P006Gf	5.08	10.16	14.22	11.62	22.22	29.08
CE300-P008Gf	7.62	12.70	16.76	14.16	24.76	31.62
CE300-P010Gf	10.16	15.24	19.30	16.70	27.30	34.16
CE300-P012Gf	12.70	17.78	21.84	19.24	29.84	36.70
CE300-P014Gf	15.24	20.32	24.38	21.78	32.38	39.24
CE300-P016Gf	17.78	22.86	26.92	24.32	34.92	41.78
CE300-P018Gf	20.32	25.40	29.46	26.86	37.46	44.32
CE300-P020Gf	22.86	27.94	32.00	29.40	40.00	46.86
CE300-P022Gf	25.40	30.48	34.54	31.94	42.54	49.40
CE300-P024Gf	27.94	33.02	37.08	34.46	45.08	51.94
CE300-P026Gf	30.48	35.56	39.62	37.02	47.62	54.48
CE300-P028Gf	33.02	38.10	42.16	39.56	50.16	57.02
CE300-P030Gf	35.56	40.64	44.70	42.10	52.70	59.56
CE300-P032Gf	38.10	43.18	47.24	44.64	55.24	62.10
CE300-P034Gf	40.64	45.72	49.78	47.16	57.78	64.64
CE300-P036Gf	43.18	48.26	52.32	49.72	60.32	67.18
CE300-P038Gf	45.72	50.80	54.86	52.26	62.86	69.72
CE300-P040Gf	48.26	53.34	57.40	54.80	65.40	72.26
CE300-P042Gf	50.80	55.88	59.94	57.34	67.94	74.80
CE300-P044Gf	53.34	58.42	62.48	59.88	70.48	77.34
CE300-P046Gf	55.88	60.96	65.02	62.42	73.02	79.88
CE300-P048Gf	58.42	63.50	67.56	64.96	75.56	82.42
CE300-P050Gf	60.96	66.04	70.10	67.50	78.10	84.96
CE300-P052Gf	63.50	68.58	72.64	70.04	80.64	87.50
CE300-P054Gf	66.04	71.12	75.16	72.58	83.18	90.04
CE300-P056Gf	68.58	73.66	77.72	75.12	85.72	92.58
CE300-P058Gf	71.12	76.20	80.26	77.66	88.26	95.12
CE300-P060Gf	73.66	78.74	82.80	80.20	90.80	97.66
CE300-P062Gf	76.20	81.28	85.34	82.74	93.34	100.20

<b>CE</b>	<b>300</b>	-	<b>P</b>	<b>XX</b>	-	<b>Gft</b>	-	<b>E</b>
CARD EDGE CONNECTOR	SERIES NO. 300: 2.54mm PITCH		PCB TYPE P: STRAIGHT TYPE	NO. OF PINS 06 - 62		CONTACT PLATING Gft: GOLD FLASH ON CONTACT, TIN PLATED ON SOLDER TAIL		EAR OPTION E: WITH MOUNTING EAR

### MATERIALS

INSULATOR: GLASS-FIBER PBT, UL 94V-0 .  
CONTACT: PHOSPHOR BRONZE OR BRASS.  
PLATING: GOLD PLATING OVER NICKEL ON CONTACT AREA TIN/LEAD PLATING ON SOLDER TAIL.

### MECHANICAL

INSERTION FORCE: 340 GRAM MAX.  
WITHDRAWAL FORCE: 28 GRAM MIN.

### ELECTRICAL

CONTACT RESISTANCE: 20mΩ MAX. IN INITIAL,  
CURRENT RATING: 3 AMP.  
INSULATION RESISTANCE: 5000MΩ MIN. AT 500 VDC  
DIELECTRIC WITHSTANDING VOLTAGE: 1000 VAC ONE SECONDS.  
TEMPERATURE RANGE: -55°C ~ +105°C

NOTE : SOME SIZES, STYLES AND OPTION ARE NON-STANDARD, NON-CANCELLABLE, NON-RETURNABLE

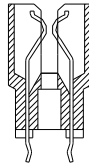
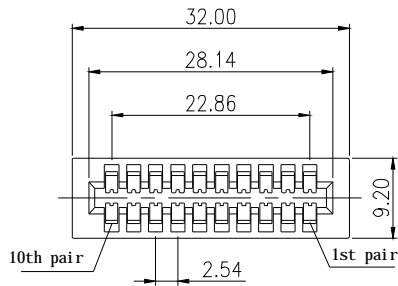
[www.mmtmachrone.com](http://www.mmtmachrone.com)

USA TEL : 1-510-979-2188  
FAX : 1-510-979-2189

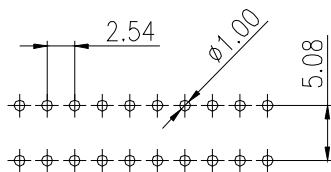
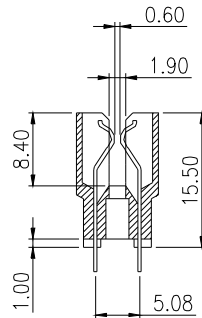
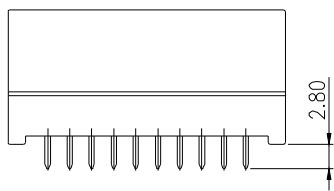
TAIWAN TEL : 886-2-2755-3193  
FAX : 886-2-2784-5109

SINGAPORE TEL : 65-6274-0566  
FAX : 65-6274-7891

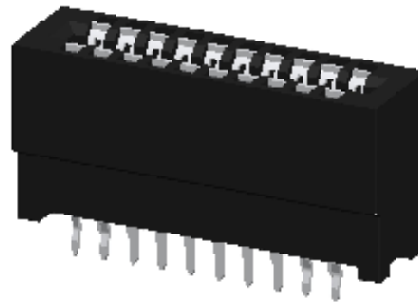
# CARD EDGE 301 SERIES STRAIGHT TYPE- P



OPTION: KINKED LEGS, MMT# CE301-P020Gft-K  
 NOTE: KINK POSITION AT 2nd, 3rd, 8th AND 9th PAIR



RECOMMENDED PCB LAYOUT



<b>CE</b>	<b>301</b>	<b>P</b>	<b>020</b>	<b>Gft</b>	<b>K</b>
CARD EDGE CONNECTOR	SERIES NO. 301: 2.54mm PITCH	PCB TYPE P: STRAIGHT TYPE	NO. OF PINS 20	CONTACT PLATING Gft: GOLD FLASH ON CONTACT, TIN PLATED ON SOLDER TAIL	KINKED LEGS BLANK: STANDARD LEGS K: KINKED LEGS

### MATERIALS

INSULATOR: GLASS-FILLED PBT, UL 94V-0 RATED.  
 CONTACT: PHOSPHOR BRONZE  
 SELECTIVE GOLD PLATING OVER NICKEL.

### MECHANICAL

INSERTION FORCE: 412 GRAM MAX.  
 WITHDRAWAL FORCE: 32 GRAM MIN.

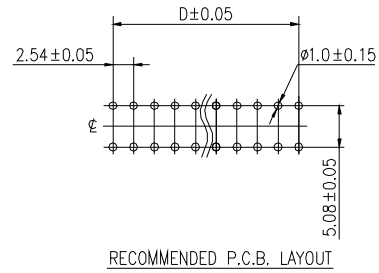
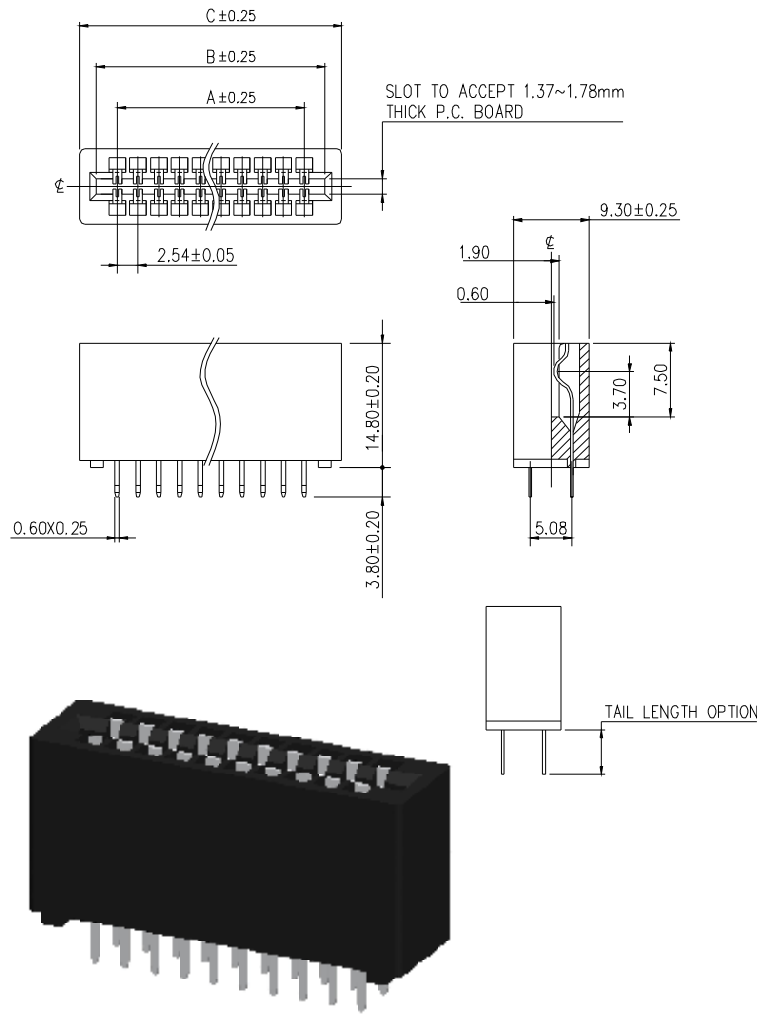
### ELECTRICAL

CONTACT RESISTANCE: 20mΩ MAX. IN INITIAL.  
 DIELECTRIC WITHSTANDING VOLTAGE: 1000 VAC 1 MINUTE.  
 CURRENT RATING: 3 AMP.  
 INSULATION RESISTANCE: 1000MΩ MIN.  
 OPERATING TEMPERATURE: -55°C ~ +105°C

NOTE : SOME SIZES, STYLES AND OPTION ARE NON-STANDARD, NON-CANCELLABLE, NON-RETURNABLE



# CARD EDGE 302 SERIES STRAIGHT TYPE- P



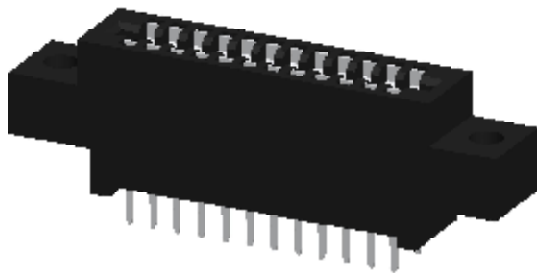
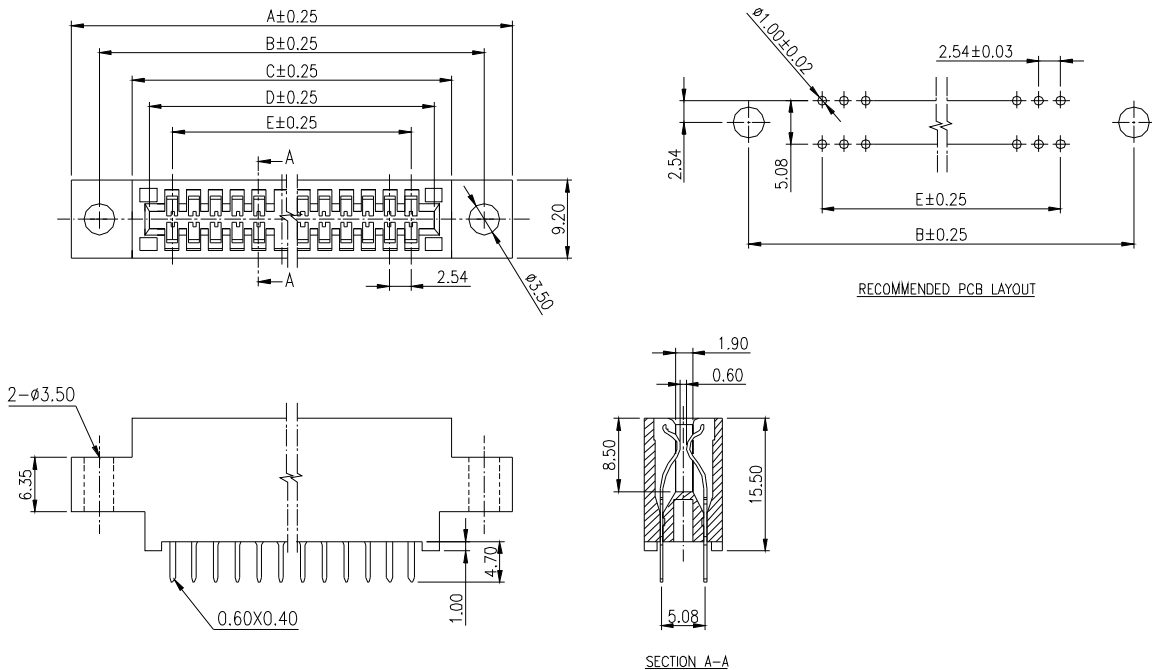
PART NO.	DIMENSION			
	A	B	C	D
CE302-P006GXX-X	5.08	10.66	14.22	5.08
CE302-P008GXX-X	7.62	13.20	16.76	7.62
CE302-P010GXX-X	10.16	15.74	19.30	10.16
CE302-P012GXX-X	12.70	18.28	21.84	12.70
CE302-P014GXX-X	15.24	20.82	24.38	15.24
CE302-P016GXX-X	17.78	23.36	26.92	17.78
CE302-P018GXX-X	20.32	25.90	29.46	20.32
CE302-P020GXX-X	22.86	28.44	32.00	22.86
CE302-P022GXX-X	25.40	30.98	34.54	25.40
CE302-P024GXX-X	27.94	33.52	37.08	27.94
CE302-P026GXX-X	30.48	36.06	39.62	30.48
CE302-P028GXX-X	33.02	38.60	42.16	33.02
CE302-P030GXX-X	35.56	41.14	44.70	35.56
CE302-P032GXX-X	38.10	43.68	47.24	38.10
CE302-P034GXX-X	40.64	46.22	49.78	40.64
CE302-P036GXX-X	43.18	48.76	52.32	43.18
CE302-P038GXX-X	45.72	51.30	54.86	45.72
CE302-P040GXX-X	48.26	53.84	57.40	48.26
CE302-P042GXX-X	50.80	56.38	59.94	50.80
CE302-P044GXX-X	53.34	58.92	62.48	53.34
CE302-P046GXX-X	55.88	61.46	65.02	55.88
CE302-P048GXX-X	58.42	64.00	67.56	58.42
CE302-P050GXX-X	60.96	66.54	70.10	60.96
CE302-P052GXX-X	63.50	69.08	72.64	63.50
CE302-P054GXX-X	66.04	71.62	75.18	66.04
CE302-P056GXX-X	68.58	74.16	77.72	68.58
CE302-P058GXX-X	71.12	76.70	80.26	71.12
CE302-P060GXX-X	73.66	79.24	82.80	73.66
CE302-P062GXX-X	76.20	81.78	85.34	76.20
CE302-P064GXX-X	78.74	84.32	87.88	78.74
CE302-P066GXX-X	81.28	86.86	90.42	81.28
CE302-P068GXX-X	83.82	89.40	92.96	83.82
CE302-P070GXX-X	86.36	91.94	95.50	86.36
CE302-P072GXX-X	88.90	94.48	98.04	88.90

<b>CE</b>	<b>302</b>	-	<b>P</b>	<b>XX</b>	-	<b>GX</b>	-	<b>X</b>
CARD EDGE CONNECTOR	SERIES NO. 302: 2.54mm PITCH		PCB TYPE P: STRAIGHT TYPE	NO. OF PINS 06 - 72		CONTACT PLATING OPTION Gf: GOLD FLASH OVER ALL Gft: GOLD FLASH ON CONTACT, TIN PLATED ON SOLDER TAIL G15: 15u" GOLD ON CONTACT, TIN PLATED ON SOLDER TAIL G30: 30u" GOLD ON CONTACT, TIN PLATED ON SOLDER TAIL		TAIL LENGTH OPTION BLANK: STANDARD LENGTH = 3.60mm 500: OPTION LENGTH = 5.00mm 1300: OPTION LENGTH = 13.00mm 2070: OPTION LENGTH = 20.70mm

<p><b>MATERIALS</b> INSULATOR: GLASS-FIBER PBT UL 94V-0. CONTACT: PHOSPHOR BRONZE OR BRASS. PLATING: GOLD PLATING OVER NICKEL.</p>	<p><b>MECHANICAL</b> INSERTION FORCE: 340 GRAM MAX. WITHDRAWAL FORCE: 28 GRAM MIN.</p>	<p><b>ELECTRICAL</b> CONTACT RESISTANCE: 20mΩ MAX. DIELECTRIC WITHSTANDING VOLTAGE: AC 1000V RMS. CURRENT RATING: 3 AMP. INSULATION RESISTANCE: DC 500V, 5000MΩ MIN. OPERATING TEMPERATURE: -55°C ~ +105°C</p>
--	--	--

NOTE : SOME SIZES, STYLES AND OPTION ARE NON-STANDARD, NON-CANCELLABLE, NON-RETURNABLE

# CARD EDGE 303 SERIES STRAIGHT TYPE- P



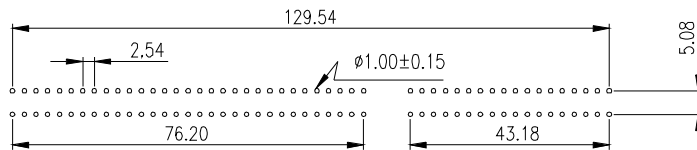
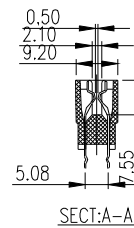
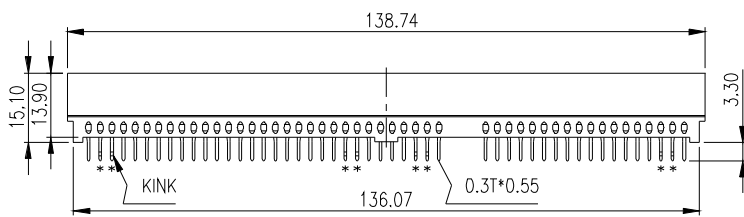
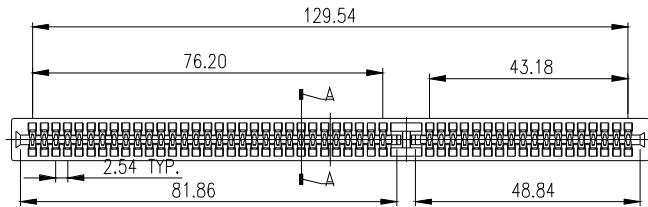
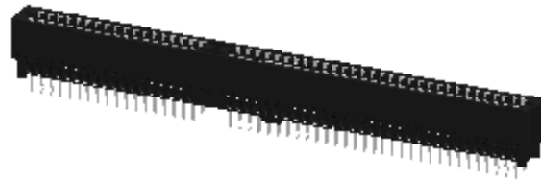
PART NO.	DIMENSION				
	A	B	C	D	E
CE303-P24G_	51.69	45.09	37.38	33.22	27.94
CE303-P44G_	77.09	70.49	62.78	58.62	53.34
CE303-P48G_	82.17	75.57	67.86	63.70	58.42
CE303-P50G_	84.71	78.11	70.40	66.24	60.96
CE303-P56G_	92.33	85.73	78.02	73.86	68.58
CE303-P60G_	97.41	90.81	83.10	78.94	73.66
CE303-P70G_	110.11	103.51	95.80	91.64	86.36
CE303-P72G_	112.65	106.05	98.34	94.18	88.90
CE303-P86G_	130.43	123.83	116.12	111.96	106.68
CE303-P88G_	133.17	126.57	118.66	114.50	109.22
CE303-P100G_	148.21	141.61	133.91	129.74	124.46

<b>CE</b>	<b>303</b>	-	<b>P</b>	<b>XX</b>	<b>GX</b>
CARD EDGE CONNECTOR	SERIES NO. 303: 2.54mm PITCH		PCB TYPE P: STRAIGHT TYPE	NO. OF PINS 24 ~ 100	CONTACT PLATING OPTION Gf: GOLD FLASH OVER ALL Gf: GOLD FLASH ON CONTACT, TIN PLATED ON SOLDER TAIL G10: 10µ" GOLD ON CONTACT, TIN PLATED ON SOLDER TAIL G15: 15µ" GOLD ON CONTACT, TIN PLATED ON SOLDER TAIL G30: 30µ" GOLD ON CONTACT, TIN PLATED ON SOLDER TAIL

<p><b>MATERIALS</b> INSULATOR: GLASS-FIBER PBT UL 94V-0 RATED. CONTACT: PHOSPHOR BRONZE. PLATING: SELECTIVE GOLD PLATING OVER NICKEL.</p>	<p><b>MECHANICAL</b> INSERTION FORCE: 412 GRAM MAX. WITHDRAWAL FORCE: 32 GRAM MIN.</p>	<p><b>ELECTRICAL</b> CONTACT RESISTANCE: 20mΩ MAX. CURRENT RATING: 3 AMP. VOLTAGE RATING: 800 VAC 1 MINUTE. INSULATION RESISTANCE: 5000MΩ MIN. OPERATING TEMPERATURE: -55°C ~ +105°C</p>
---	--	--

NOTE : SOME SIZES, STYLES AND OPTION ARE NON-STANDARD, NON-CANCELLABLE, NON-RETURNABLE

# CARD EDGE 304 SERIES STRAIGHT TYPE- P



P.C.B. Layout

<b>CE</b>	<b>304</b>	<b>P</b>	<b>98</b>	<b>GX</b>
CARD EDGE CONNECTOR	SERIES NO. 304: 2.54mm PITCH	PCB TYPE P: STRAIGHT TYPE	NO. OF PINS 98	CONTACT PLATING OPTION Gf: GOLD FLASH OVER ALL Gf: GOLD FLASH ON CONTACT, TIN PLATED ON SOLDER TAIL G15: 15u" GOLD ON CONTACT, TIN PLATED ON SOLDER TAIL

### MATERIALS

INSULATOR: PBT+GLASS FIBER UL 94V-0, WHITE COLOR.  
CONTACT: BRASS.  
PLATING: SELECTIVE GOLD PLATING OVER NICKEL.

### MECHANICAL

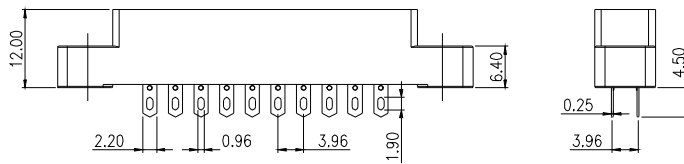
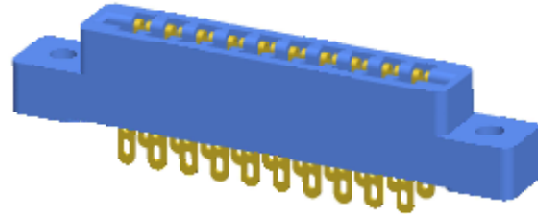
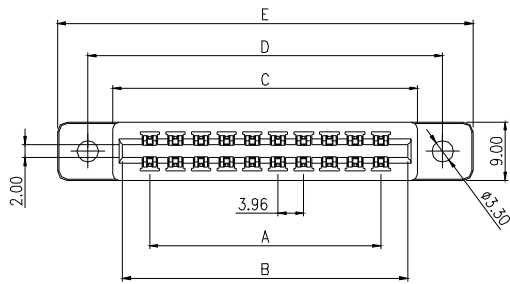
INSERTION FORCE: 340 GRAM MAX.  
WITHDRAWAL FORCE: 28 GRAM MIN.

### ELECTRICAL

CONTACT RESISTANCE: 20mΩ MAX.  
CURRENT RATING: 3 AMP.  
DIELECTRIC WITHSTANDING: AC 1000V R.M.S.  
INSULATION RESISTANCE: 5000MΩ MIN AT DC 500V.  
OPERATING TEMPERATURE: -55°C ~ +105°C

NOTE : SOME SIZES, STYLES AND OPTION ARE NON-STANDARD, NON-CANCELLABLE, NON-RETURNABLE

# CARD EDGE 400 SERIES WIRE TYPE- W



PART NO.	CONTACTS PER ROW	DIMENSION				
		A	B	C	D	E
CE400-W012Gf-E	06/12	19.80	28.16	31.18	38.88	48.20
CE400-W020Gf-E	10/20	35.64	44.00	47.02	54.72	64.04
CE400-W024Gf-E	12/24	43.56	51.92	54.94	62.64	71.96
CE400-W030Gf-E	15/30	55.44	63.80	66.82	74.52	83.84
CE400-W036Gf-E	18/36	67.32	75.68	78.70	86.40	95.72
CE400-W040Gf-E	20/40	75.24	83.60	86.62	94.32	103.64
CE400-W044Gf-E	22/44	83.16	91.52	94.54	102.24	111.56
CE400-W050Gf-E	25/50	95.04	103.40	106.42	114.12	123.44
CE400-W056Gf-E	28/56	106.92	115.28	118.30	126.00	135.32
CE400-W060Gf-E	30/60	114.84	123.20	126.22	133.92	143.24
CE400-W062Gf-E	31/62	118.80	127.16	130.18	137.88	147.20
CE400-W072Gf-E	36/72	138.60	146.96	149.98	157.68	167.00

<b>CE</b>	<b>400</b>	<b>W</b>	<b>XX</b>	<b>Gf</b>	<b>E</b>
CARD EDGE CONNECTOR	SERIES NO. 400: 3.96mm PITCH	PCB TYPE W: WIRE TYPE	NO. OF PINS 12 - 72	CONTACT PLATING Gf: GOLD FLASH OVER ALL	EAR OPTION E: WITH MOUNTING EAR

### MATERIALS

INSULATOR: GLASS FIBER REINFORCED  
POLYBUTYLENE TEREPHTHALATE  
(PBT) UL94V-0 RATED.  
CONTACT: COPPER ALLOY.  
PLATING: GOLD PLATING OVER NICKEL OR TIN.

### ELECTRICAL

CURRENT RATING: 3 AMP.  
CONTACT RESISTANCE: 15mΩ MAX.  
INSULATION RESISTANCE: DC1000 MΩ MIN. AT 500 VDC.  
OPERATING TEMPERATURE: -55°C ~ +105°C

NOTE : SOME SIZES, STYLES AND OPTION ARE NON-STANDARD, NON-CANCELLABLE, NON-RETURNABLE