

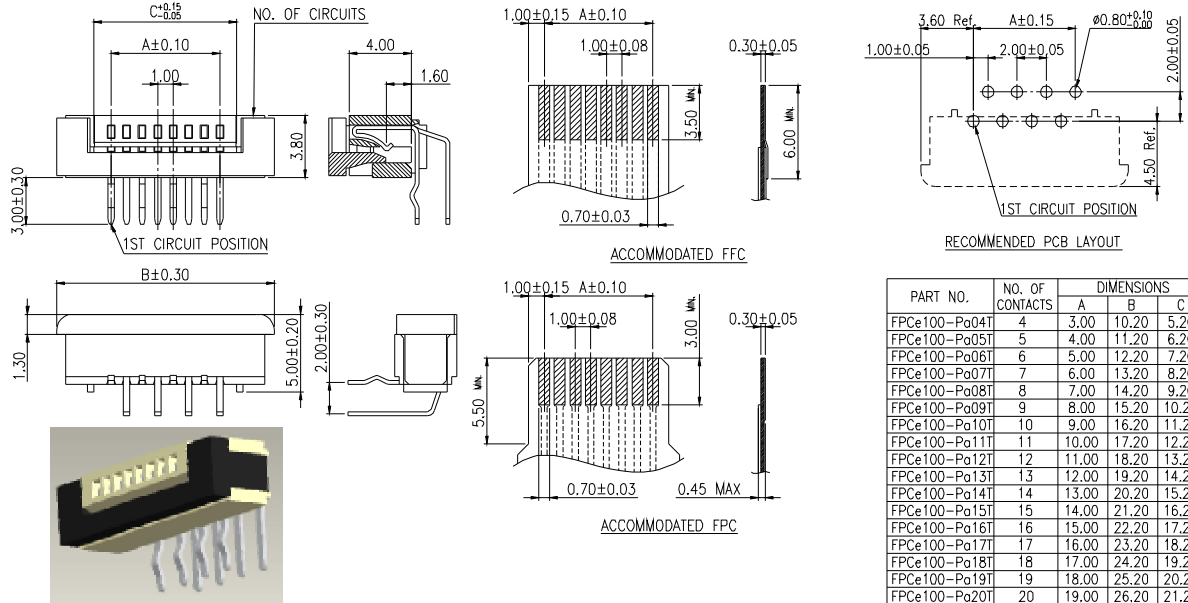
MMI WIRE TO BOARD CONNECTOR

- FPC&FFC -
FPC CONNECTOR
&
FLAT FLEXIBLE CABLE

PITCH

e : 1.00 MM,
h: 0.50 MM,
u: 1.25 MM,

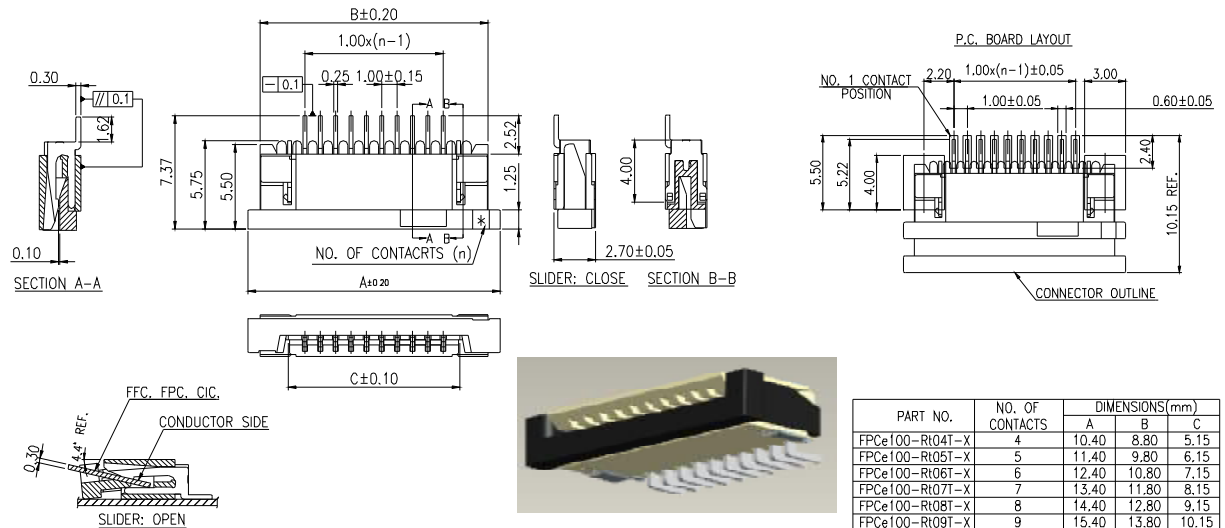
1.00 mm FPCe100 RIGHT ANGLE TYPE- Pa



FPC	e	100	-	Pa	XX	T
PITCH e: 1.00 mm	SERIES NO. 100: TOP CONTACT	NO. OF PIN 04-32		MATERIALS INSULATION: NYLON 6T UL 94V-0 COLOR: BEGIE SLIDER: NYLON 6T UL 94V-2 COLOR: BROWN CONTACT: PHOSPHOR BRONZE		
FPC CONNECTOR	PCB TYPE Pa: RIGHT ANGLE TYPE	PLATING TIN PLATED OVER ALL				

PART NO.	NO. OF CONTACTS	DIMENSIONS		
		A	B	C
FPCe100-Pa04T	4	3.00	10.20	5.20
FPCe100-Pa05T	5	4.00	11.20	6.20
FPCe100-Pa06T	6	5.00	12.20	7.20
FPCe100-Pa07T	7	6.00	13.20	8.20
FPCe100-Pa08T	8	7.00	14.20	9.20
FPCe100-Pa09T	9	8.00	15.20	10.20
FPCe100-Pa10T	10	9.00	16.20	11.20
FPCe100-Pa11T	11	10.00	17.20	12.20
FPCe100-Pa12T	12	11.00	18.20	13.20
FPCe100-Pa13T	13	12.00	19.20	14.20
FPCe100-Pa14T	14	13.00	20.20	15.20
FPCe100-Pa15T	15	14.00	21.20	16.20
FPCe100-Pa16T	16	15.00	22.20	17.20
FPCe100-Pa17T	17	16.00	23.20	18.20
FPCe100-Pa18T	18	17.00	24.20	19.20
FPCe100-Pa19T	19	18.00	25.20	20.20
FPCe100-Pa20T	20	19.00	26.20	21.20
FPCe100-Pa21T	21	20.00	27.20	22.20
FPCe100-Pa22T	22	21.00	28.20	23.20
FPCe100-Pa23T	23	22.00	29.20	24.20
FPCe100-Pa24T	24	23.00	30.20	25.20
FPCe100-Pa25T	25	24.00	31.20	26.20
FPCe100-Pa26T	26	25.00	32.20	27.20
FPCe100-Pa27T	27	26.00	33.20	28.20
FPCe100-Pa28T	28	27.00	34.20	29.20
FPCe100-Pa29T	29	28.00	35.20	30.20
FPCe100-Pa30T	30	29.00	36.20	31.20
FPCe100-Pa31T	31	30.00	37.20	32.20
FPCe100-Pa32T	32	31.00	38.20	33.20

1.00 mm FPCe100 RIGHT ANGLE SURFACE MOUNT TYPE- Rt

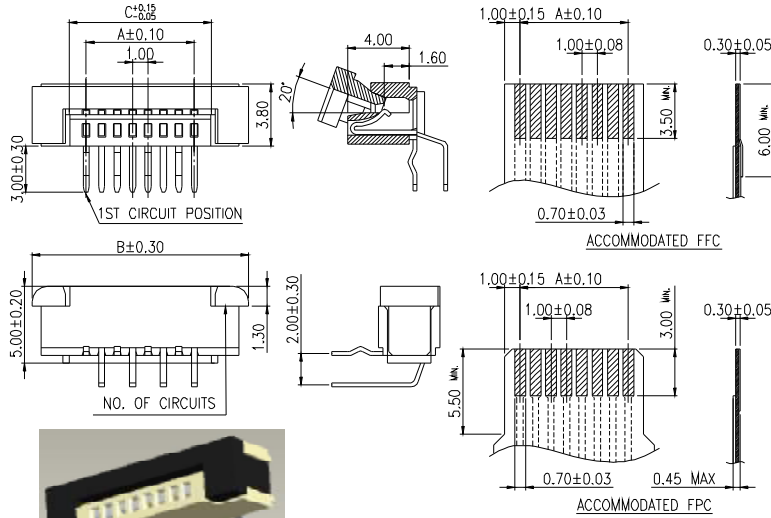


FPC	e	100	-	Rt	XX	T	-	X
PITCH e: 1.00 mm	SERIES NO. 100: TOP CONTACT	NO. OF PIN 04-30		MATERIALS CONTACT HOUSING: HEAT RESISTANCE PLASTIC (UL94V-0) SLIDER: HEAT RESISTANCE PLASTIC (UL94V-0) LEG: COPPER ALLOY, TIN-LEAD PLATING CONTACT: COPPER ALLOY, TIN-LEAD PLATING				PACKAGE BLANK: TUBE T/R: TAPE & REEL
FPC CONNECTOR	PCB TYPE Rt: RIGHT ANGLE SURFACE MOUNT TYPE	PLATING TIN PLATED OVER ALL						

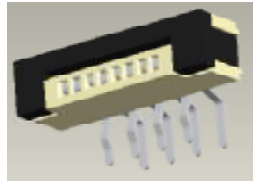
PART NO.	NO. OF CONTACTS	DIMENSIONS (mm)		
		A	B	C
FPCe100-Rt04T-X	4	10.40	8.80	5.15
FPCe100-Rt05T-X	5	11.40	9.80	6.15
FPCe100-Rt06T-X	6	12.40	10.80	7.15
FPCe100-Rt07T-X	7	13.40	11.80	8.15
FPCe100-Rt08T-X	8	14.40	12.80	9.15
FPCe100-Rt09T-X	9	15.40	13.80	10.15
FPCe100-Rt10T-X	10	16.40	14.80	11.15
FPCe100-Rt11T-X	11	17.40	15.80	12.15
FPCe100-Rt12T-X	12	18.40	16.80	13.15
FPCe100-Rt13T-X	13	19.40	17.80	14.15
FPCe100-Rt14T-X	14	20.40	18.80	15.15
FPCe100-Rt15T-X	15	21.40	19.80	16.15
FPCe100-Rt16T-X	16	22.40	20.80	17.15
FPCe100-Rt17T-X	17	23.40	21.80	18.15
FPCe100-Rt18T-X	18	24.40	22.80	19.15
FPCe100-Rt19T-X	19	25.40	23.80	20.15
FPCe100-Rt20T-X	20	26.40	24.80	21.15
FPCe100-Rt21T-X	21	27.40	25.80	22.15
FPCe100-Rt22T-X	22	28.40	26.80	23.15
FPCe100-Rt23T-X	23	29.40	27.80	24.15
FPCe100-Rt24T-X	24	30.40	28.80	25.15
FPCe100-Rt25T-X	25	31.40	29.80	26.15
FPCe100-Rt26T-X	26	32.40	30.80	27.15
FPCe100-Rt27T-X	27	33.40	31.80	28.15
FPCe100-Rt28T-X	28	34.40	32.80	29.15
FPCe100-Rt29T-X	29	35.40	33.80	30.15
FPCe100-Rt30T-X	30	36.40	34.80	31.15

NOTE : SOME SIZES, STYLES AND OPTION ARE NON-STANDARD, NON-CANCELLABLE, NON-RETURNABLE

1.00 mm FPCe200 RIGHT ANGLE TYPE- Pa



PART NO.	NO. OF CONTACTS	DIMENSIONS		
		A	B	C
FPCe200-Pa04T	4	3.00	10.20	5.20
FPCe200-Pa05T	5	4.00	11.20	6.20
FPCe200-Pa06T	6	5.00	12.20	7.20
FPCe200-Pa07T	7	6.00	13.20	8.20
FPCe200-Pa08T	8	7.00	14.20	9.20
FPCe200-Pa09T	9	8.00	15.20	10.20
FPCe200-Pa10T	10	9.00	16.20	11.20
FPCe200-Pa11T	11	10.00	17.20	12.20
FPCe200-Pa12T	12	11.00	18.20	13.20
FPCe200-Pa13T	13	12.00	19.20	14.20
FPCe200-Pa14T	14	13.00	20.20	15.20
FPCe200-Pa15T	15	14.00	21.20	16.20
FPCe200-Pa16T	16	15.00	22.20	17.20
FPCe200-Pa17T	17	16.00	23.20	18.20
FPCe200-Pa18T	18	17.00	24.20	19.20
FPCe200-Pa19T	19	18.00	25.20	20.20
FPCe200-Pa20T	20	19.00	26.20	21.20
FPCe200-Pa21T	21	20.00	27.20	22.20
FPCe200-Pa22T	22	21.00	28.20	23.20
FPCe200-Pa23T	23	22.00	29.20	24.20
FPCe200-Pa24T	24	23.00	30.20	25.20
FPCe200-Pa25T	25	24.00	31.20	26.20
FPCe200-Pa26T	26	25.00	32.20	27.20
FPCe200-Pa27T	27	26.00	33.20	28.20
FPCe200-Pa28T	28	27.00	34.20	29.20
FPCe200-Pa29T	29	28.00	35.20	30.20
FPCe200-Pa30T	30	29.00	36.20	31.20
FPCe200-Pa31T	31	30.00	37.20	32.20
FPCe200-Pa32T	32	31.00	38.20	33.20



FPC e 200 - Pa XX T

PITCH
e: 1.00 mm

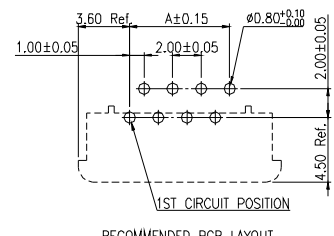
SERIES NO.
200: BOTTOM CONTACT

NO. OF PIN
04-32

FPC CONNECTOR

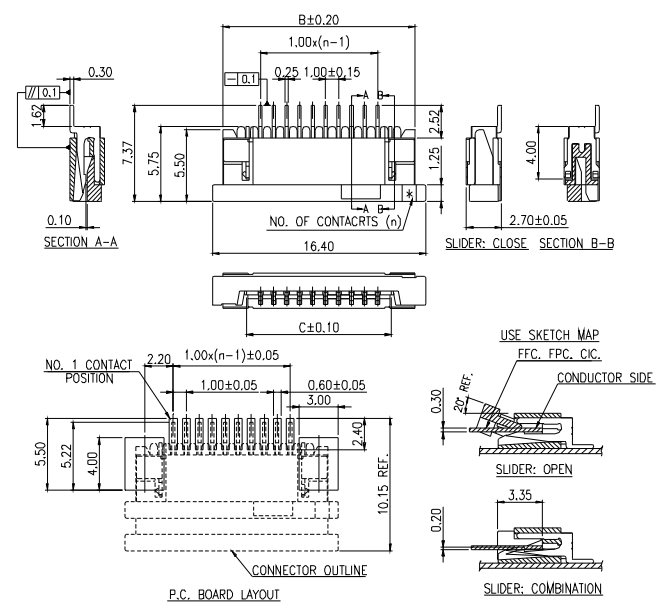
PCB TYPE
Pa: RIGHT ANGLE TYPE

PLATING
TIN PLATED OVER ALL



RECOMMENDED PCB LAYOUT

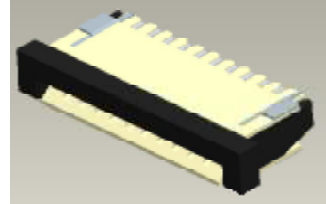
1.00 mm FPCe200 RIGHT ANGLE SURFACE MOUNT TYPE- Rt



MATERIALS

HOUSING:
- CONTACT HOUSING: HEAT RESISTANCE PLASTIC (UL94V-0)
- SLIDER: HEAT RESISTANCE PLASTIC (UL94V-0)

LEG : COPPER ALLOY, TIN-LEAD PLATING
CONTACT: COPPER ALLOY, TIN-LEAD PLATING



PART NO.	NO. OF CONTACTS	DIMENSIONS (mm)		
		A	B	C
FPCe200-Rt04T-X	4	10.40	8.80	5.15
FPCe200-Rt05T-X	5	11.40	9.80	6.15
FPCe200-Rt06T-X	6	12.40	10.80	7.15
FPCe200-Rt07T-X	7	13.40	11.80	8.15
FPCe200-Rt08T-X	8	14.40	12.80	9.15
FPCe200-Rt09T-X	9	15.40	13.80	10.15
FPCe200-Rt10T-X	10	16.40	14.80	11.15
FPCe200-Rt11T-X	11	17.40	15.80	12.15
FPCe200-Rt12T-X	12	18.40	16.80	13.15
FPCe200-Rt13T-X	13	19.40	17.80	14.15
FPCe200-Rt14T-X	14	20.40	18.80	15.15
FPCe200-Rt15T-X	15	21.40	19.80	16.15
FPCe200-Rt16T-X	16	22.40	20.80	17.15
FPCe200-Rt17T-X	17	23.40	21.80	18.15
FPCe200-Rt18T-X	18	24.40	22.80	19.15
FPCe200-Rt19T-X	19	25.40	23.80	20.15
FPCe200-Rt20T-X	20	26.40	24.80	21.15
FPCe200-Rt21T-X	21	27.40	25.80	22.15
FPCe200-Rt22T-X	22	28.40	26.80	23.15
FPCe200-Rt23T-X	23	29.40	27.80	24.15
FPCe200-Rt24T-X	24	30.40	28.80	25.15
FPCe200-Rt25T-X	25	31.40	29.80	26.15
FPCe200-Rt26T-X	26	32.40	30.80	27.15
FPCe200-Rt27T-X	27	33.40	31.80	28.15
FPCe200-Rt28T-X	28	34.40	32.80	29.15
FPCe200-Rt29T-X	29	35.40	33.80	30.15
FPCe200-Rt30T-X	30	36.40	34.80	31.15

FPC e 200 - Rt XX T - X

PITCH
e: 1.00 mm

SERIES NO.
200: BOTTOM CONTACT

NO. OF PIN
04-30

FPC CONNECTOR

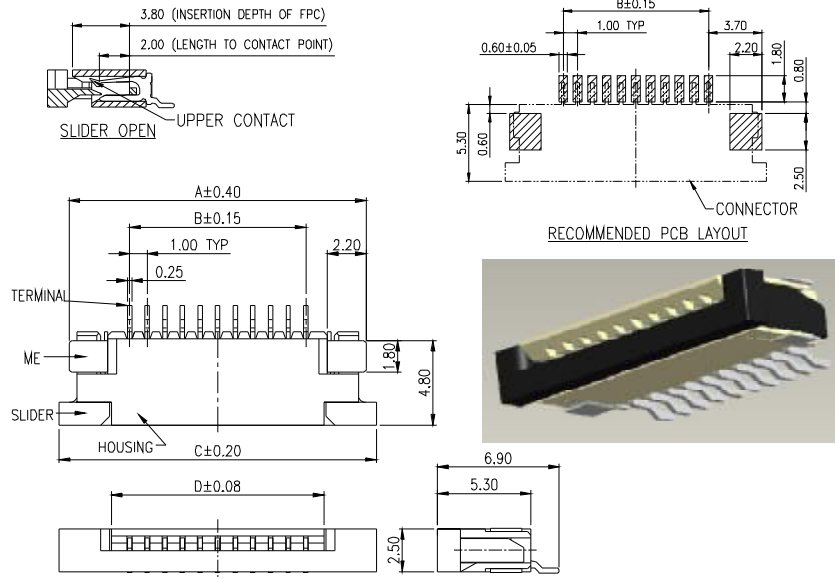
PCB TYPE
Rt: RIGHT ANGLE SURFACE MOUNT TYPE

PLATING
TIN PLATED OVER ALL

PACKAGE
BLANK: TUBE
T/R: TAPE & REEL

NOTE : SOME SIZES, STYLES AND OPTION ARE NON-STANDARD, NON-CANCELLABLE, NON-RETURNABLE

1.00 mm FPCe201 RIGHT ANGLE SURFACE MOUNT TYPE- Rt



SPECIFICATION
 OPERATING VOLTAGE: 100 VAC
 CURRENT RATING: 0.5 AMP
 CONTACT RESISTANCE: 30 MOHM MAX.
 INSULATION RESISTANCE: 500 MOHM MIN.
 DIELECTRIC WITHSTANDING VOLTAGE: 500 VAC RMS.
 ACCOMMODATED FFC/FPC THICKNESS: 0.25±0.35
 OPERATING TEMPERATURE: - 40°C ~ + 85°C

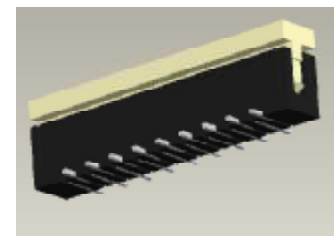
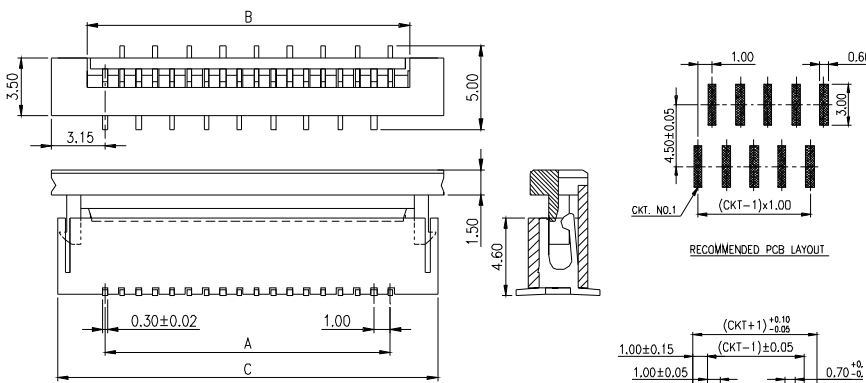
MATERIALS
 INSULATOR: PA9T, UL94V-0 RATED
 (COLOR: IVORY)
 SLIDER: PPS; UL94V-0 RATED
 TERMINAL : PHOSPHOR BRONZE
 ME: BRASS

FPC e 201 - Rt XX T - X

- PITCH**
e: 1.00 mm
- SERIES NO.**
201: TOP CONTACT
- NO. OF PIN**
04-34
- PACKAGE**
T: TUBE
T/R: TAPE & REEL
- PCB TYPE**
Rt: RIGHT ANGLE SURFACE MOUNT TYPE
- PLATING**
TIN PLATED OVER ALL

MODEL NO.	NO. of Pins	DIMENSIONS			
		A	B	C	D
FPCe201-Rt04T-X	4	9.85	3.00	11.00	5.15
FPCe201-Rt05T-X	5	10.85	4.00	12.00	6.15
FPCe201-Rt06T-X	6	11.85	5.00	13.00	7.15
FPCe201-Rt07T-X	7	12.85	6.00	14.00	8.15
FPCe201-Rt08T-X	8	13.85	7.00	15.00	9.15
FPCe201-Rt09T-X	9	14.85	8.00	16.00	10.15
FPCe201-Rt10T-X	10	15.85	9.00	17.00	11.15
FPCe201-Rt11T-X	11	16.85	10.00	18.00	12.15
FPCe201-Rt12T-X	12	17.85	11.00	19.00	13.15
FPCe201-Rt13T-X	13	18.85	12.00	20.00	14.15
FPCe201-Rt14T-X	14	19.85	13.00	21.00	15.15
FPCe201-Rt15T-X	15	20.85	14.00	22.00	16.15
FPCe201-Rt16T-X	16	21.85	15.00	23.00	17.15
FPCe201-Rt17T-X	17	22.85	16.00	24.00	18.15
FPCe201-Rt18T-X	18	23.85	17.00	25.00	19.15
FPCe201-Rt19T-X	19	24.85	18.00	26.00	20.15
FPCe201-Rt20T-X	20	25.85	19.00	27.00	21.15
FPCe201-Rt21T-X	21	26.85	20.00	28.00	22.15
FPCe201-Rt22T-X	22	27.85	21.00	29.00	23.15
FPCe201-Rt23T-X	23	28.85	22.00	30.00	24.15
FPCe201-Rt24T-X	24	29.85	23.00	31.00	25.15
FPCe201-Rt25T-X	25	30.85	24.00	32.00	26.15
FPCe201-Rt26T-X	26	31.85	25.00	33.00	27.15
FPCe201-Rt27T-X	27	32.85	26.00	34.00	28.15
FPCe201-Rt28T-X	28	33.85	27.00	35.00	29.15
FPCe201-Rt29T-X	29	34.85	28.00	36.00	30.15
FPCe201-Rt30T-X	30	35.85	29.00	37.00	31.15
FPCe201-Rt31T-X	31	36.85	30.00	38.00	32.15
FPCe201-Rt32T-X	32	37.85	31.00	39.00	33.15
FPCe201-Rt33T-X	33	38.85	32.00	40.00	34.15
FPCe201-Rt34T-X	34	39.85	33.00	41.00	35.15

1.00 mm FPCe201 STRAIGHT SURFACE MOUNT TYPE- Pt



SPECIFICATION
 OPERATING VOLTAGE: 50 VAC
 CURRENT RATING: 0.5 AMP
 CONTACT RESISTANCE: 20 MOHM MAX.
 INSULATION RESISTANCE: 100 MOHM MIN.
 DIELECTRIC STRENGTH: NO SHORTING OR OTHER DAMAGES CURRENT LEAKAGE 1 mA MAX.
 OPERATING TEMPERATURE: - 25°C ~ + 85°C

MATERIALS
 HOUSING: NYLON UL94V-0
 CONTACT: COPPER ALLOY, TIN/LEAD OVER NICKEL

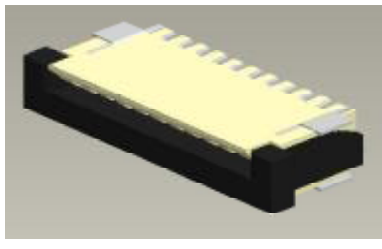
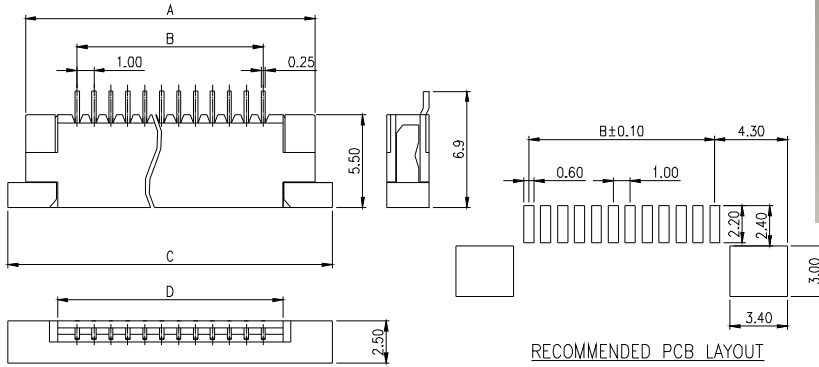
MODEL NO.	NO. of CONTACTS	DIMENSIONS		
		A	B	C
FPCe201-Pt03TA-X	3	2.00	4.20	8.00
FPCe201-Pt04TA-X	4	3.00	5.20	9.00
FPCe201-Pt05TA-X	5	4.00	6.20	10.00
FPCe201-Pt06TA-X	6	5.00	7.20	11.00
FPCe201-Pt07TA-X	7	6.00	8.20	12.00
FPCe201-Pt08TA-X	8	7.00	9.20	13.00
FPCe201-Pt09TA-X	9	8.00	10.20	14.00
FPCe201-Pt10TA-X	10	9.00	11.20	15.00
FPCe201-Pt11TA-X	11	10.00	12.20	16.00
FPCe201-Pt12TA-X	12	11.00	13.20	17.00
FPCe201-Pt13TA-X	13	12.00	14.20	18.00
FPCe201-Pt14TA-X	14	13.00	15.20	19.00
FPCe201-Pt15TA-X	15	14.00	16.20	20.00
FPCe201-Pt16TA-X	16	15.00	17.20	21.00
FPCe201-Pt17TA-X	17	16.00	18.20	22.00
FPCe201-Pt18TA-X	18	17.00	19.20	23.00
FPCe201-Pt19TA-X	19	18.00	20.20	24.00
FPCe201-Pt20TA-X	20	19.00	21.20	25.00
FPCe201-Pt21TA-X	21	20.00	22.20	26.00
FPCe201-Pt22TA-X	22	21.00	23.20	27.00
FPCe201-Pt23TA-X	23	22.00	24.20	28.00
FPCe201-Pt24TA-X	24	23.00	25.20	29.00
FPCe201-Pt25TA-X	25	24.00	26.20	30.00
FPCe201-Pt26TA-X	26	25.00	27.20	31.00
FPCe201-Pt27TA-X	27	26.00	28.20	32.00
FPCe201-Pt28TA-X	28	27.00	29.20	33.00
FPCe201-Pt29TA-X	29	28.00	30.20	34.00
FPCe201-Pt30TA-X	30	29.00	31.20	35.00

FPC e 201 - Pt XX T A - X

- PITCH**
e: 1.00 mm
- SERIES NO.**
201
- NO. OF PIN**
04-30
- PIN TYPE**
- PCB TYPE**
Pt: SURFACE MOUNT TYPE
- PLATING**
TIN PLATED OVER ALL
- PACKAGE**
T: TUBE
T/R: TAPE & REEL

NOTE : SOME SIZES, STYLES AND OPTION ARE NON-STANDARD, NON-CANCELLABLE, NON-RETURNABLE

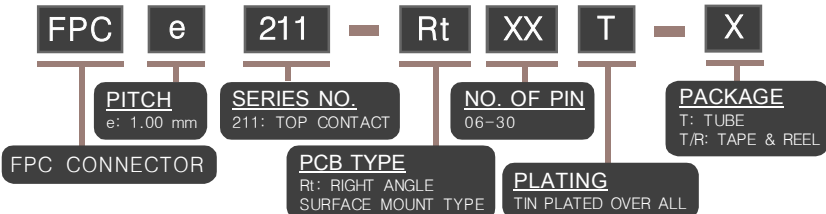
1.00 mm FPCe211 RIGHT ANGLE SURFACE MOUNT TYPE- Rt



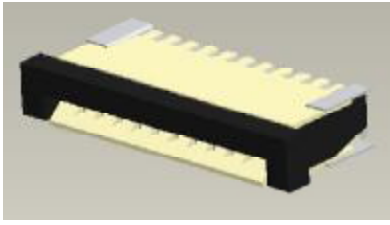
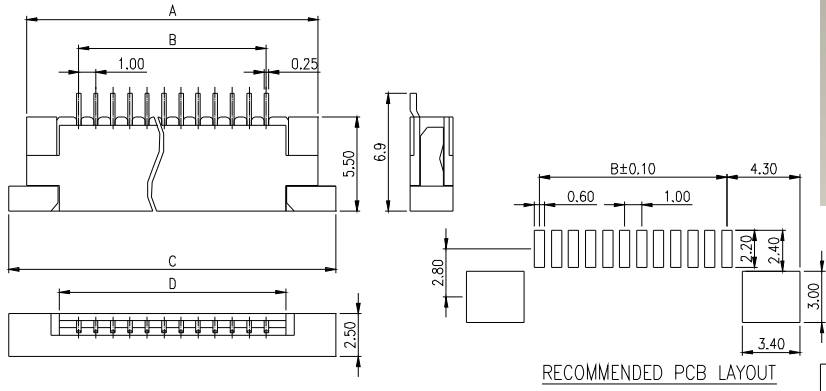
SPECIFICATION
 VOLTAGE RATING: 50 VAC
 CURRENT RATING: 0.5 AC/DC
 CONTACT RESISTANCE: 20 MOHM MAX.
 INSULATION RESISTANCE: 800 MOHM MIN.
 WITHSTANDING VOLTAGE: 500 V AC/MINUTE
 OPERATING TEMPERATURE: - 25°C ~ + 85°C
 RELATIVE HUMIDITY: 93% + 40°

MATERIALS
 HOUSING: THERMOPLASTIC (UL94V-0)
 SLIDER: THERMOPLASTIC (UL94V-0)
 CONTACT: PHOSPHOR BRONZE Tin - PLATED
 SOLDER TAB: PHOSPHOR BRONZE Tin - PLATED

MODEL NO.	NO. OF CONTACTS	DIMENSIONS			
		A	B	C	D
FPCe211-R106T-X	6	11.10	5.00	13.20	7.10
FPCe211-R107T-X	7	12.10	6.00	14.20	8.10
FPCe211-R108T-X	8	13.10	7.00	15.20	9.10
FPCe211-R109T-X	9	14.10	8.00	16.20	10.10
FPCe211-R110T-X	10	15.10	9.00	17.20	11.10
FPCe211-R111T-X	11	16.10	10.00	18.20	12.10
FPCe211-R111T-X	12	17.10	11.00	19.20	13.10
FPCe211-R113T-X	13	18.10	12.00	20.20	14.10
FPCe211-R114T-X	14	19.10	13.00	21.20	15.10
FPCe211-R115T-X	15	20.10	14.00	22.20	16.10
FPCe211-R116T-X	16	21.10	15.00	23.20	17.10
FPCe211-R117T-X	17	22.10	16.00	24.20	18.10
FPCe211-R118T-X	18	23.10	17.00	25.20	19.10
FPCe211-R119T-X	19	24.10	18.00	26.20	20.10
FPCe211-R120T-X	20	25.10	19.00	27.20	21.10
FPCe211-R121T-X	21	26.10	20.00	28.20	22.10
FPCe211-R122T-X	22	27.10	21.00	29.20	23.10
FPCe211-R123T-X	23	28.10	22.00	30.20	24.10
FPCe211-R124T-X	24	29.10	23.00	31.20	25.10
FPCe211-R125T-X	25	30.10	24.00	32.20	26.10
FPCe211-R126T-X	26	31.10	25.00	33.20	27.10
FPCe211-R127T-X	27	32.10	26.00	34.20	28.10
FPCe211-R128T-X	28	33.10	27.00	35.20	29.10
FPCe211-R129T-X	29	34.10	28.00	36.20	30.10
FPCe211-R130T-X	30	35.10	29.00	37.20	31.10



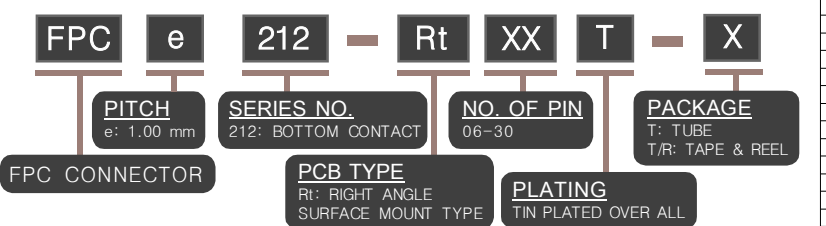
1.00 mm FPCe212 RIGHT ANGLE SURFACE MOUNT TYPE- Rt



SPECIFICATION
 VOLTAGE RATING: 50 VAC
 CURRENT RATING: 0.5 AC/DC
 CONTACT RESISTANCE: 20 MOHM MAX.
 INSULATION RESISTANCE: 800 MOHM MIN.
 WITHSTANDING VOLTAGE: 500 V AC/MINUTE
 OPERATING TEMPERATURE: - 25°C ~ + 85°C
 RELATIVE HUMIDITY: 93% + 40°

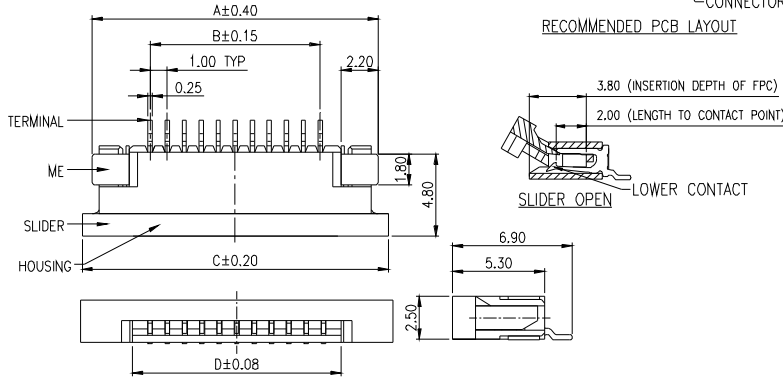
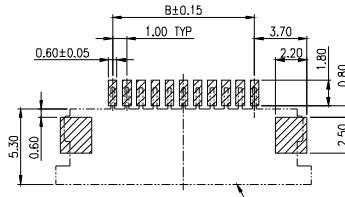
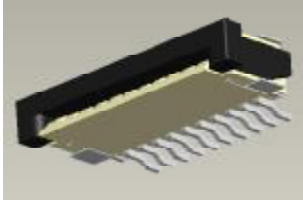
MATERIALS
 HOUSING: THERMOPLASTIC (UL94V-0)
 SLIDER: THERMOPLASTIC (UL94V-0)
 CONTACT: PHOSPHOR BRONZE Tin - PLATED
 SOLDER TAB: PHOSPHOR BRONZE Tin - PLATED

MODEL NO.	NO. OF CONTACTS	DIMENSIONS			
		A	B	C	D
FPCe212-R106T-X	6	11.10	5.00	13.20	7.10
FPCe212-R107T-X	7	12.10	6.00	14.20	8.10
FPCe212-R108T-X	8	13.10	7.00	15.20	9.10
FPCe212-R109T-X	9	14.10	8.00	16.20	10.10
FPCe212-R110T-X	10	15.10	9.00	17.20	11.10
FPCe212-R111T-X	11	16.10	10.00	18.20	12.10
FPCe212-R112T-X	12	17.10	11.00	19.20	13.10
FPCe212-R113T-X	13	18.10	12.00	20.20	14.10
FPCe212-R114T-X	14	19.10	13.00	21.20	15.10
FPCe212-R115T-X	15	20.10	14.00	22.20	16.10
FPCe212-R116T-X	16	21.10	15.00	23.20	17.10
FPCe212-R117T-X	17	22.10	16.00	24.20	18.10
FPCe212-R118T-X	18	23.10	17.00	25.20	19.10
FPCe212-R119T-X	19	24.10	18.00	26.20	20.10
FPCe212-R120T-X	20	25.10	19.00	27.20	21.10
FPCe212-R121T-X	21	26.10	20.00	28.20	22.10
FPCe212-R122T-X	22	27.10	21.00	29.20	23.10
FPCe212-R123T-X	23	28.10	22.00	30.20	24.10
FPCe212-R124T-X	24	29.10	23.00	31.20	25.10
FPCe212-R125T-X	25	30.10	24.00	32.20	26.10
FPCe212-R126T-X	26	31.10	25.00	33.20	27.10
FPCe212-R127T-X	27	32.10	26.00	34.20	28.10
FPCe212-R128T-X	28	33.10	27.00	35.20	29.10
FPCe212-R129T-X	29	34.10	28.00	36.20	30.10
FPCe212-R130T-X	30	35.10	29.00	37.20	31.10



NOTE : SOME SIZES, STYLES AND OPTION ARE NON-STANDARD, NON-CANCELLABLE, NON-RETURNABLE

1.00 mm FPCe202 RIGHT ANGLE SURFACE MOUNT TYPE- Rt



FPC e 202 - Rt XX T - X

- PITCH**: e: 1.00 mm
- SERIES NO.**: 202: BOTTOM CONTACT
- NO. OF PIN**: 04-34
- PACKAGE**: T: TUBE, T/R: TAPE & REEL
- PCB TYPE**: Rt: RIGHT ANGLE SURFACE MOUNT TYPE
- PLATING**: TIN PLATED OVER ALL

SPECIFICATION

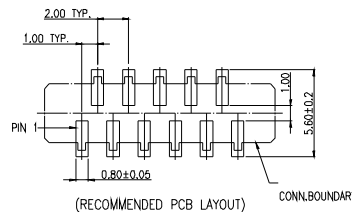
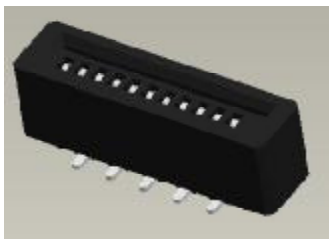
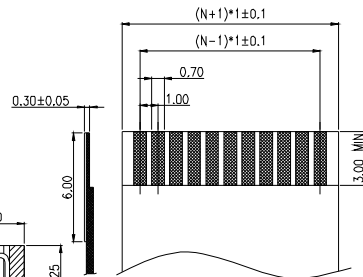
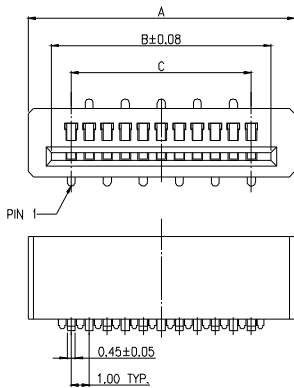
OPERATING VOLTAGE: 100 VAC
 CURRENT RATING: 0.5 AMP
 CONTACT RESISTANCE: 30 MOHM MAX.
 INSULATION RESISTANCE: 500 MOHM MIN.
 DIELECTRIC WITHSTANDING VOLTAGE: 500 VAC RMS.
 ACCOMMODATED FFC/FPC THICKNESS: 0.25± 0.35
 OPERATING TEMPERATURE: - 40°C ~ + 85°C

MATERIALS

INSULATOR: PA9T, UL94V-0 RATED
 (COLOR: IVORY)
 SLIDER: PPS; UL94V-0 RATED
 TERMINAL : PHOSPHOR BRONZE
 ME: BRASS

MODEL NO.	NO. of PINS	DIMENSIONS			
		A	B	C	D
FPCe202-Rt04T-X	4	9.85	3.00	11.00	5.15
FPCe202-Rt05T-X	5	10.85	4.00	12.00	6.15
FPCe202-Rt06T-X	6	11.85	5.00	13.00	7.15
FPCe202-Rt07T-X	7	12.85	6.00	14.00	8.15
FPCe202-Rt08T-X	8	13.85	7.00	15.00	9.15
FPCe202-Rt09T-X	9	14.85	8.00	16.00	10.15
FPCe202-Rt10T-X	10	15.85	9.00	17.00	11.15
FPCe202-Rt11T-X	11	16.85	10.00	18.00	12.15
FPCe202-Rt12T-X	12	17.85	11.00	19.00	13.15
FPCe202-Rt13T-X	13	18.85	12.00	20.00	14.15
FPCe202-Rt14T-X	14	19.85	13.00	21.00	15.15
FPCe202-Rt15T-X	15	20.85	14.00	22.00	16.15
FPCe202-Rt16T-X	16	21.85	15.00	23.00	17.15
FPCe202-Rt17T-X	17	22.85	16.00	24.00	18.15
FPCe202-Rt18T-X	18	23.85	17.00	25.00	19.15
FPCe202-Rt19T-X	19	24.85	18.00	26.00	20.15
FPCe202-Rt20T-X	20	25.85	19.00	27.00	21.15
FPCe202-Rt21T-X	21	26.85	20.00	28.00	22.15
FPCe202-Rt22T-X	22	27.85	21.00	29.00	23.15
FPCe202-Rt23T-X	23	28.85	22.00	30.00	24.15
FPCe202-Rt24T-X	24	29.85	23.00	31.00	25.15
FPCe202-Rt25T-X	25	30.85	24.00	32.00	26.15
FPCe202-Rt26T-X	26	31.85	25.00	33.00	27.15
FPCe202-Rt27T-X	27	32.85	26.00	34.00	28.15
FPCe202-Rt28T-X	28	33.85	27.00	35.00	29.15
FPCe202-Rt29T-X	29	34.85	28.00	36.00	30.15
FPCe202-Rt30T-X	30	35.85	29.00	37.00	31.15
FPCe202-Rt31T-X	31	36.85	30.00	38.00	32.15
FPCe202-Rt32T-X	32	37.85	31.00	39.00	33.15
FPCe202-Rt33T-X	33	38.85	32.00	40.00	34.15
FPCe202-Rt34T-X	34	39.85	33.00	41.00	35.15

1.00 mm FPCe301 SURFACE MOUNT TYPE- Pt



FPC e 301 - Pt XX T - X

- PITCH**: e: 1.00 mm
- SERIES NO.**: 301: NON ZIF, DOUBLE CONTACT TYPE
- NO. OF PIN**: 04-34
- PACKAGE**: T: TUBE, T/R: TAPE & REEL
- PCB TYPE**: Pt: MOUNT SURFACE TYPE
- PLATING**: TIN PLATED OVER ALL

SPECIFICATION

OPERATING VOLTAGE: 50 VAC
 CURRENT RATING: 0.5 AMP
 CONTACT RESISTANCE: 30 MOHM MAX.
 INSULATION RESISTANCE: 500 MOHM MIN.
 DIELECTRIC WITHSTANDING VOLTAGE: 500 VAC RMS.
 ACCOMMODATED FFC/FPC THICKNESS: 0.25± 0.35
 OPERATING TEMPERATURE: - 40°C ~ + 85°C

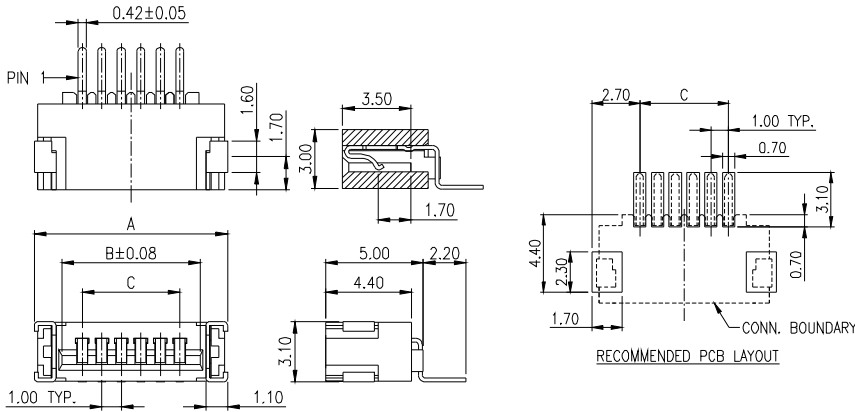
MATERIALS

INSULATOR: PA9T, UL94V-0 RATED
 (COLOR: IVORY)
 TERMINAL : PHOSPHOR BRONZE

MODEL NO.	NO. of CONTACTS	DIMENSION		
		A±0.20	B±0.08	C±0.15
FPCe301-Pt04T-X	4	7.80	5.15	3.00
FPCe301-Pt05T-X	5	8.80	6.15	4.00
FPCe301-Pt06T-X	6	9.80	7.15	5.00
FPCe301-Pt07T-X	7	10.80	8.15	6.00
FPCe301-Pt08T-X	8	11.80	9.15	7.00
FPCe301-Pt09T-X	9	12.80	10.15	8.00
FPCe301-Pt10T-X	10	13.80	11.15	9.00
FPCe301-Pt11T-X	11	14.80	12.15	10.00
FPCe301-Pt12T-X	12	15.80	13.15	11.00
FPCe301-Pt13T-X	13	16.80	14.15	12.00
FPCe301-Pt14T-X	14	17.80	15.15	13.00
FPCe301-Pt15T-X	15	18.80	16.15	14.00
FPCe301-Pt16T-X	16	19.80	17.15	15.00
FPCe301-Pt17T-X	17	20.80	18.15	16.00
FPCe301-Pt18T-X	18	21.80	19.15	17.00
FPCe301-Pt19T-X	19	22.80	20.15	18.00
FPCe301-Pt20T-X	20	23.80	21.15	19.00
FPCe301-Pt21T-X	21	24.80	22.15	20.00
FPCe301-Pt22T-X	22	25.80	23.15	21.00
FPCe301-Pt23T-X	23	26.80	24.15	22.00
FPCe301-Pt24T-X	24	27.80	25.15	23.00
FPCe301-Pt25T-X	25	28.80	26.15	24.00
FPCe301-Pt26T-X	26	29.80	27.15	25.00
FPCe301-Pt27T-X	27	30.80	28.15	26.00
FPCe301-Pt28T-X	28	31.80	29.15	27.00
FPCe301-Pt29T-X	29	32.80	30.15	28.00
FPCe301-Pt30T-X	30	33.80	31.15	29.00
FPCe301-Pt31T-X	31	34.80	32.15	30.00
FPCe301-Pt32T-X	32	35.80	33.15	31.00
FPCe301-Pt33T-X	33	36.80	34.15	32.00
FPCe301-Pt34T-X	34	37.80	35.15	33.00

NOTE : SOME SIZES, STYLES AND OPTION ARE NON-STANDARD, NON-CANCELLABLE, NON-RETURNABLE

1.00 mm FPCe302 RIGHT ANGLE SURFACE MOUNT TYPE-Rt



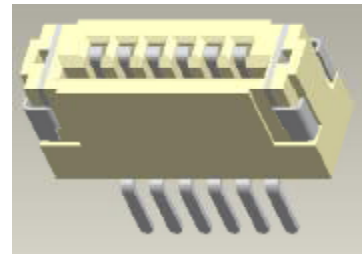
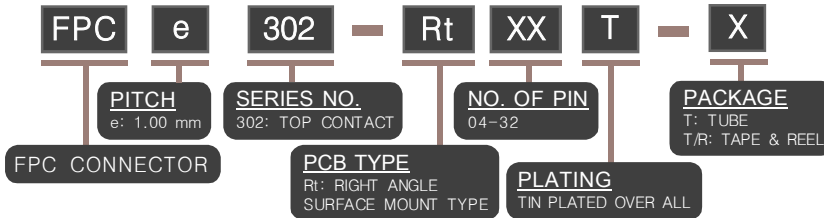
MODEL NO.	NO. of CONTACTS	DIMENSIONS		
		A±0.20	B±0.08	C±0.15
FPCe302-Rt04T-X	4	7.90	5.15	3.00
FPCe302-Rt05T-X	5	8.90	6.15	4.00
FPCe302-Rt06T-X	6	9.90	7.15	5.00
FPCe302-Rt07T-X	7	10.90	8.15	6.00
FPCe302-Rt08T-X	8	11.90	9.15	7.00
FPCe302-Rt09T-X	9	12.90	10.15	8.00
FPCe302-Rt10T-X	10	13.90	11.15	9.00
FPCe302-Rt11T-X	11	14.90	12.15	10.00
FPCe302-Rt12T-X	12	15.90	13.15	11.00
FPCe302-Rt13T-X	13	16.90	14.15	12.00
FPCe302-Rt14T-X	14	17.90	15.15	13.00
FPCe302-Rt15T-X	15	18.90	16.15	14.00
FPCe302-Rt16T-X	16	19.90	17.15	15.00
FPCe302-Rt17T-X	17	20.90	18.15	16.00
FPCe302-Rt18T-X	18	21.90	19.15	17.00
FPCe302-Rt19T-X	19	22.90	20.15	18.00
FPCe302-Rt20T-X	20	23.90	21.15	19.00
FPCe302-Rt21T-X	21	24.90	22.15	20.00
FPCe302-Rt22T-X	22	25.90	23.15	21.00
FPCe302-Rt23T-X	23	26.90	24.15	22.00
FPCe302-Rt24T-X	24	27.90	25.15	23.00
FPCe302-Rt25T-X	25	28.90	26.15	24.00
FPCe302-Rt26T-X	26	29.90	27.15	25.00
FPCe302-Rt27T-X	27	30.90	28.15	26.00
FPCe302-Rt28T-X	28	31.90	29.15	27.00
FPCe302-Rt29T-X	29	32.90	30.15	28.00
FPCe302-Rt30T-X	30	33.90	31.15	29.00
FPCe302-Rt31T-X	31	34.90	32.15	30.00
FPCe302-Rt32T-X	32	35.90	33.15	31.00

SPECIFICATION

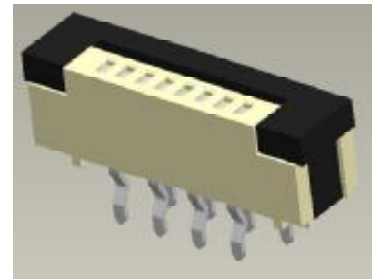
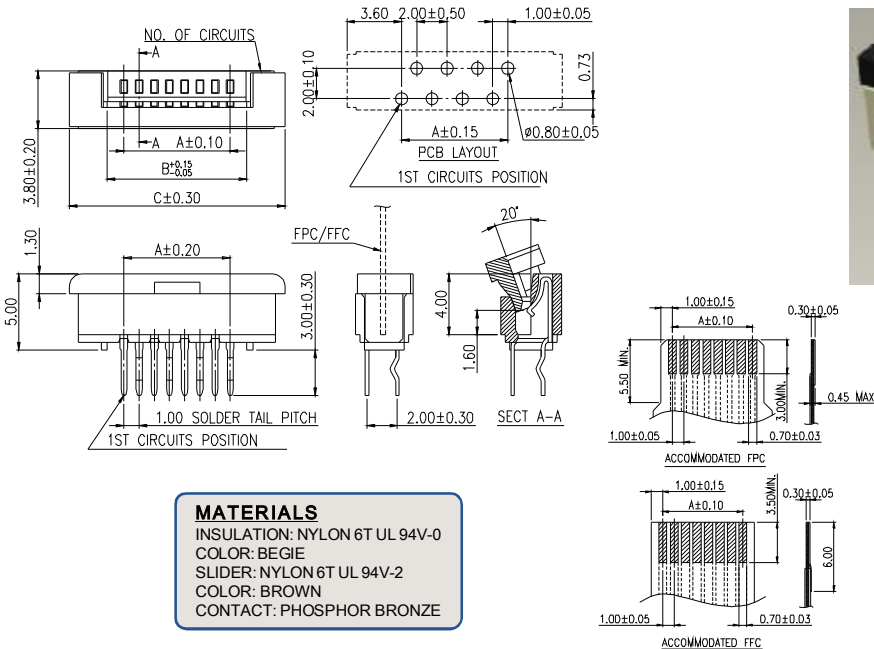
OPERATING VOLTAGE: 50 VAC
 CURRENT RATING: 1.0 AMP
 CONTACT RESISTANCE: 30 MOHM MAX.
 INSULATION RESISTANCE: 500 MOHM MIN.
 DIELECTRIC WITHSTANDING VOLTAGE: 500 VAC RMS.
 ACCOMMODATED FPC/FPC THICKNESS: 0.25±0.35
 OPERATING TEMPERATURE: -40°C ~ +85°C

MATERIALS

INSULATOR: PA9T, UL94V-0 RATED (COLOR: IVORY)
 SLIDER: UL94V-0 RATED
 TERMINAL : PHOSPHOR BRONZE
 ME: BRASS



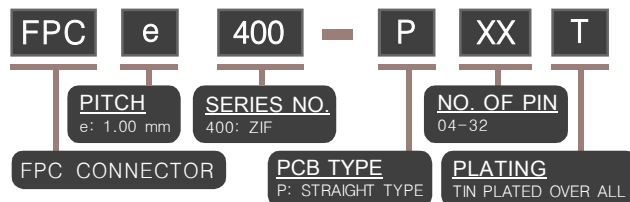
1.00 mm FPCe400 STRAIGHT TYPE-P



PART NO.	Contacts	DIMENSIONS		
		A	B	C
FPCe400-P04T	4	3.00	5.20	10.20
FPCe400-P05T	5	4.00	6.20	11.20
FPCe400-P06T	6	5.00	7.20	12.20
FPCe400-P07T	7	6.00	8.20	13.20
FPCe400-P08T	8	7.00	9.20	14.20
FPCe400-P09T	9	8.00	10.20	15.20
FPCe400-P10T	10	9.00	11.20	16.20
FPCe400-P11T	11	10.00	12.20	17.20
FPCe400-P12T	12	11.00	13.20	18.20
FPCe400-P13T	13	12.00	14.20	19.20
FPCe400-P14T	14	13.00	15.20	20.20
FPCe400-P15T	15	14.00	16.20	21.20
FPCe400-P16T	16	15.00	17.20	22.20
FPCe400-P17T	17	16.00	18.20	23.20
FPCe400-P18T	18	17.00	19.20	24.20
FPCe400-P19T	19	18.00	20.20	25.20
FPCe400-P20T	20	19.00	21.20	26.20
FPCe400-P21T	21	20.00	22.20	27.20
FPCe400-P22T	22	21.00	23.20	28.20
FPCe400-P23T	23	22.00	24.20	29.20
FPCe400-P24T	24	23.00	25.20	30.20
FPCe400-P25T	25	24.00	26.20	31.20
FPCe400-P26T	26	25.00	27.20	32.20
FPCe400-P27T	27	26.00	28.20	33.20
FPCe400-P28T	28	27.00	29.20	34.20
FPCe400-P29T	29	28.00	30.20	35.20
FPCe400-P30T	30	29.00	31.20	36.20
FPCe400-P31T	31	30.00	32.20	37.20
FPCe400-P32T	32	31.00	33.20	38.20

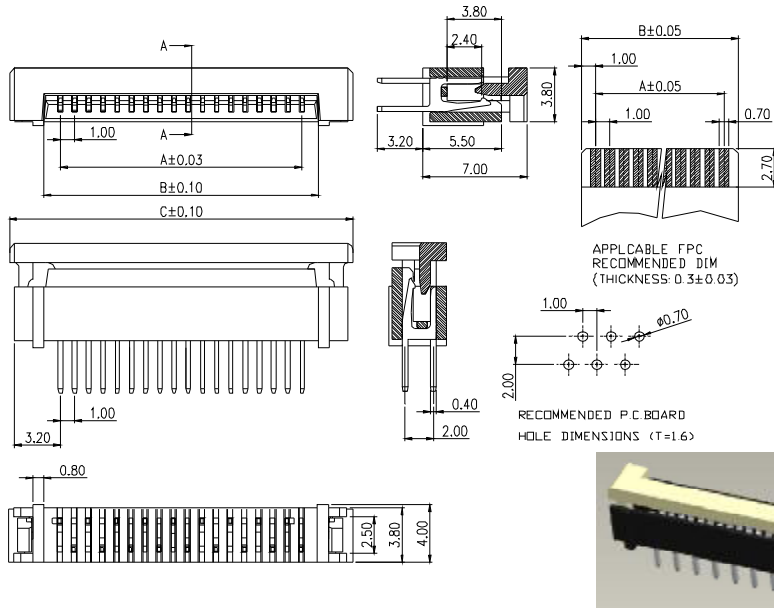
MATERIALS

INSULATION: NYLON 6T UL 94V-0
 COLOR: BEGIE
 SLIDER: NYLON 6T UL 94V-2
 COLOR: BROWN
 CONTACT: PHOSPHOR BRONZE



NOTE : SOME SIZES, STYLES AND OPTION ARE NON-STANDARD, NON-CANCELLABLE, NON-RETURNABLE

1.00 mm FPCe401 STRAIGHT TYPE- P



PART NO.	NO. OF CONTACTS	DIMENSIONS		
		A	B	C
FPCe401-P04T	4	3.00	5.10	10.20
FPCe401-P05T	5	4.00	6.10	11.20
FPCe401-P06T	6	5.00	7.10	12.20
FPCe401-P07T	7	6.00	8.10	13.20
FPCe401-P08T	8	7.00	9.10	14.20
FPCe401-P09T	9	8.00	10.10	15.20
FPCe401-P10T	10	9.00	11.10	16.20
FPCe401-P11T	11	10.00	12.10	17.20
FPCe401-P12T	12	11.00	13.10	18.20
FPCe401-P13T	13	12.00	14.10	19.20
FPCe401-P14T	14	13.00	15.10	20.20
FPCe401-P15T	15	14.00	16.10	21.20
FPCe401-P16T	16	15.00	17.10	22.20
FPCe401-P17T	17	16.00	18.10	23.20
FPCe401-P18T	18	17.00	19.10	24.20
FPCe401-P19T	19	18.00	20.10	25.20
FPCe401-P20T	20	19.00	21.10	26.20
FPCe401-P21T	21	20.00	22.10	27.20
FPCe401-P22T	22	21.00	23.10	28.20
FPCe401-P23T	23	22.00	24.10	29.20
FPCe401-P24T	24	23.00	25.10	30.20
FPCe401-P25T	25	24.00	26.10	31.20
FPCe401-P26T	26	25.00	27.10	32.20
FPCe401-P27T	27	26.00	28.10	33.20
FPCe401-P28T	28	27.00	29.10	34.20
FPCe401-P29T	29	28.00	30.10	35.20
FPCe401-P30T	30	29.00	31.10	36.20
FPCe401-P31T	31	30.00	32.10	37.20
FPCe401-P32T	32	31.00	33.10	38.20
FPCe401-P33T	33	32.00	34.10	39.20
FPCe401-P34T	34	33.00	35.10	40.20
FPCe401-P35T	35	34.00	36.10	41.20
FPCe401-P36T	36	35.00	37.10	42.20
FPCe401-P37T	37	36.00	38.10	43.20
FPCe401-P38T	38	37.00	39.10	44.20
FPCe401-P39T	39	38.00	40.10	45.20
FPCe401-P40T	40	39.00	41.10	46.20

FPC e 401 - P XX T

PITCH
e: 1.00 mm

SERIES NO.
401: ZIF

NO. OF PIN
04-40

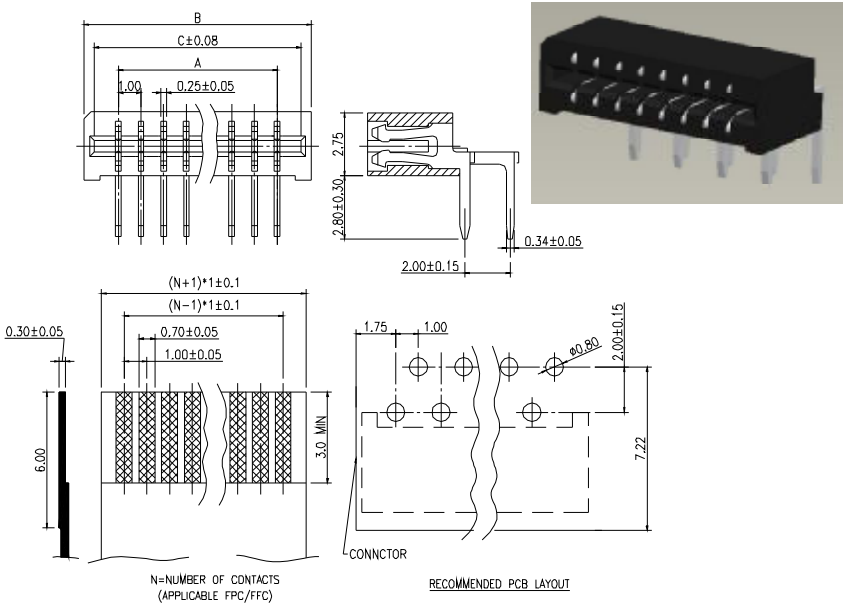
FPC CONNECTOR

PCB TYPE
P: STRAIGHT TYPE

PLATING
TIN PLATED OVER ALL

SPECIFICATION
 OPERATING VOLTAGE: 50 V (DC)
 CURRENT RATING: 0.5 A
 CONTACT RESISTANCE: 30 W MAX.
 INSULATION RESISTANCE: 100 W MIN DC 500 V.
 WITHSTANDING VOLTAGE: 500 V (AC) RMS FOR 1 MINUTE
 TEMPERATURE RANGE: - 20°C ~ + 85°C
 TERMINAL RETENTION FORCE: 3.0N MIN.
 FITTING NAIL RETENTION FORCE: 1.0N MIN.

1.00 mm FPCe500 RIGHT ANGLE TYPE- Pa



SPECIFICATION
 OPERATING VOLTAGE: 50 VAC
 CURRENT RATING: 0.5 AMP
 CONTACT RESISTANCE: 30 MOHM MAX.
 INSULATION RESISTANCE: 500 MOHM MIN.
 DIELECTRIC WITHSTANDING VOLTAGE: 500 VAC RMS.
 ACCOMMODATED FFC/FPC THICKNESS: 0.25~0.35
 OPERATING TEMPERATURE: - 40°C ~ + 85°C

MATERIALS
 INSULATOR: PA9T, UL94V-0 RATED
 (COLOR: BLACK)
 TERMINAL : PHOSPHOR BRONZE

FPC e 500 - Pa XX T

PITCH
e: 1.00 mm

SERIES NO.
500

NO. OF PIN
04-34

FPC CONNECTOR

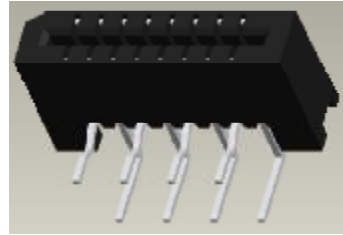
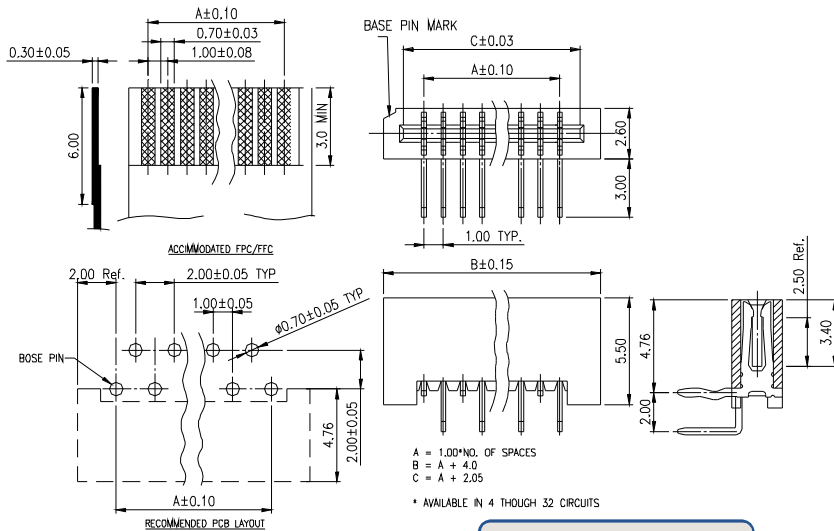
PCB TYPE
Pa: RIGHT ANGLE TYPE

PLATING
TIN PLATED OVER ALL

MODEL NO.	NO. OF CONTACTS	DIMENSIONS		
		A±0.15	B±0.20	C±0.08
FPCe500-Pa04T	4	3.00	6.50	5.15
FPCe500-Pa05T	5	4.00	7.50	6.15
FPCe500-Pa06T	6	5.00	8.50	7.15
FPCe500-Pa07T	7	6.00	9.50	8.15
FPCe500-Pa08T	8	7.00	10.50	9.15
FPCe500-Pa09T	9	8.00	11.50	10.15
FPCe500-Pa10T	10	9.00	12.50	11.15
FPCe500-Pa11T	11	10.00	13.50	12.15
FPCe500-Pa12T	12	11.00	14.50	13.15
FPCe500-Pa13T	13	12.00	15.50	14.15
FPCe500-Pa14T	14	13.00	16.50	15.15
FPCe500-Pa15T	15	14.00	17.50	16.15
FPCe500-Pa16T	16	15.00	18.50	17.15
FPCe500-Pa17T	17	16.00	19.50	18.15
FPCe500-Pa18T	18	17.00	20.50	19.15
FPCe500-Pa19T	19	18.00	21.50	20.15
FPCe500-Pa20T	20	19.00	22.50	21.15
FPCe500-Pa21T	21	20.00	23.50	22.15
FPCe500-Pa22T	22	21.00	24.50	23.15
FPCe500-Pa23T	23	22.00	25.50	24.15
FPCe500-Pa24T	24	23.00	26.50	25.15
FPCe500-Pa25T	25	24.00	27.50	26.15
FPCe500-Pa26T	26	25.00	28.50	27.15
FPCe500-Pa27T	27	26.00	29.50	28.15
FPCe500-Pa28T	28	27.00	30.50	29.15
FPCe500-Pa29T	29	28.00	31.50	30.15
FPCe500-Pa30T	30	29.00	32.50	31.15
FPCe500-Pa31T	31	30.00	33.50	32.15
FPCe500-Pa32T	32	31.00	34.50	33.15
FPCe500-Pa33T	33	32.00	35.50	34.15
FPCe500-Pa34T	34	33.00	36.50	35.15

NOTE : SOME SIZES, STYLES AND OPTION ARE NON-STANDARD, NON-CANCELLABLE, NON-RETURNABLE

1.00 mm FPCe501 RIGHT ANGLE TYPE- Pa



MODEL NO.	NO. OF CONTACTS	DIMENSIONS		
		A ± 0.15	B ± 0.20	C ± 0.08
FPCe501-Pa04T-B	4	3.00	6.50	5.15
FPCe501-Pa05T-B	5	4.00	7.50	6.15
FPCe501-Pa06T-B	6	5.00	8.50	7.15
FPCe501-Pa07T-B	7	6.00	9.50	8.15
FPCe501-Pa08T-B	8	7.00	10.50	9.15
FPCe501-Pa09T-B	9	8.00	11.50	10.15
FPCe501-Pa10T-B	10	9.00	12.50	11.15
FPCe501-Pa11T-B	11	10.00	13.50	12.15
FPCe501-Pa12T-B	12	11.00	14.50	13.15
FPCe501-Pa13T-B	13	12.00	15.50	14.15
FPCe501-Pa14T-B	14	13.00	16.50	15.15
FPCe501-Pa15T-B	15	14.00	17.50	16.15
FPCe501-Pa16T-B	16	15.00	18.50	17.15
FPCe501-Pa17T-B	17	16.00	19.50	18.15
FPCe501-Pa18T-B	18	17.00	20.50	19.15
FPCe501-Pa19T-B	19	18.00	21.50	20.15
FPCe501-Pa20T-B	20	19.00	22.50	21.15
FPCe501-Pa21T-B	21	20.00	23.50	22.15
FPCe501-Pa22T-B	22	21.00	24.50	23.15
FPCe501-Pa23T-B	23	22.00	25.50	24.15
FPCe501-Pa24T-B	24	23.00	26.50	25.15
FPCe501-Pa25T-B	25	24.00	27.50	26.15
FPCe501-Pa26T-B	26	25.00	28.50	27.15
FPCe501-Pa27T-B	27	26.00	29.50	28.15
FPCe501-Pa28T-B	28	27.00	30.50	29.15
FPCe501-Pa29T-B	29	28.00	31.50	30.15
FPCe501-Pa30T-B	30	29.00	32.50	31.15
FPCe501-Pa31T-B	31	30.00	33.50	32.15
FPCe501-Pa32T-B	32	31.00	34.50	33.15
FPCe501-Pa33T-B	33	32.00	35.50	34.15
FPCe501-Pa34T-B	34	33.00	36.50	35.15

MATERIALS
 BODY: GLASS FILLED NYLON 6T
 UL E159616 UL94V-0
 CONTACT: PHOSPHOR BRONZE

FPC e 501 Pa XX T B

PITCH
e: 1.00 mm

SERIES NO.
501

NO. OF PIN
04-34

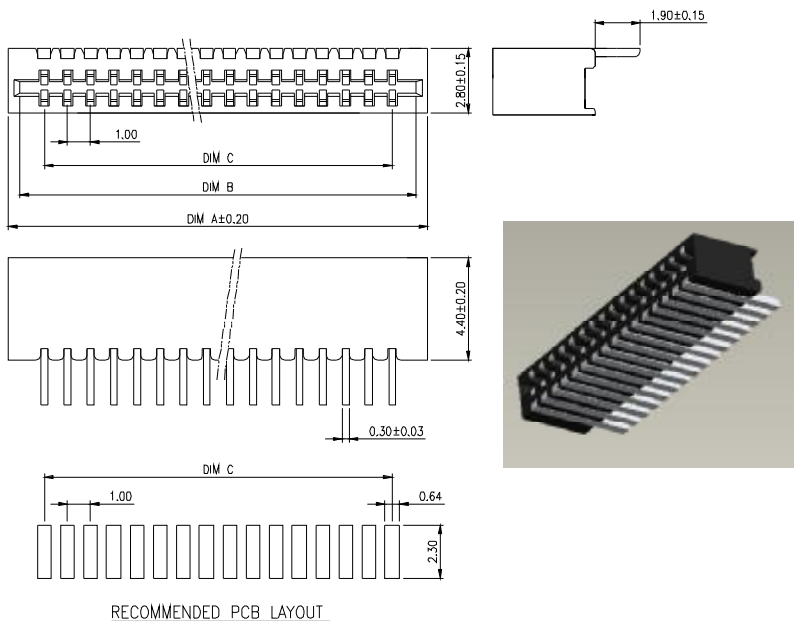
COLOR
BROWN

FPC CONNECTOR

PCB TYPE
Pa: RIGHT ANGLE TYPE

PLATING
TIN PLATED OVER ALL

1.00 mm FPCe503 RIGHT ANGLE SURFACE MOUNT TYPE- Rt



MODEL NO.	NO. OF CONTACTS	DIMENSIONS		
		A	B	C
FPCe503-Rt04T-X	4	6.00	5.10	3.00
FPCe503-Rt05T-X	5	7.00	6.10	4.00
FPCe503-Rt06T-X	6	8.00	7.10	5.00
FPCe503-Rt07T-X	7	9.00	8.10	6.00
FPCe503-Rt08T-X	8	10.00	9.10	7.00
FPCe503-Rt09T-X	9	11.00	10.10	8.00
FPCe503-Rt10T-X	10	12.00	11.10	9.00
FPCe503-Rt11T-X	11	13.00	12.10	10.00
FPCe503-Rt12T-X	12	14.00	13.10	11.00
FPCe503-Rt13T-X	13	15.00	14.10	12.00
FPCe503-Rt14T-X	14	16.00	15.10	13.00
FPCe503-Rt15T-X	15	17.00	16.10	14.00
FPCe503-Rt16T-X	16	18.00	17.10	15.00
FPCe503-Rt17T-X	17	19.00	18.10	16.00
FPCe503-Rt18T-X	18	20.00	19.10	17.00
FPCe503-Rt19T-X	19	21.00	20.10	18.00
FPCe503-Rt20T-X	20	22.00	21.10	19.00
FPCe503-Rt21T-X	21	23.00	22.10	20.00
FPCe503-Rt22T-X	22	24.00	23.10	21.00
FPCe503-Rt23T-X	23	25.00	24.10	22.00
FPCe503-Rt24T-X	24	26.00	25.10	23.00
FPCe503-Rt25T-X	25	27.00	26.10	24.00
FPCe503-Rt26T-X	26	28.00	27.10	25.00
FPCe503-Rt27T-X	27	29.00	28.10	26.00
FPCe503-Rt28T-X	28	30.00	29.10	27.00
FPCe503-Rt29T-X	29	31.00	30.10	28.00
FPCe503-Rt30T-X	30	32.00	31.10	29.00

SPECIFICATION
 VOLTAGE RATING: 50 V AC/DC
 CURRENT RATING: 0.5 AC/DC
 CONTACT RESISTANCE: 20 MOHM MAX.
 INSULATION RESISTANCE: 800 MOHM MIN.
 WITHSTANDING VOLTAGE:
 500 V AC/MINUTE.
 ACCOMMODATED FFC/FPC THICKNESS:
 0.25+0.35
 OPERATING TEMPERATURE: -25°C ~ +85°C

MATERIALS
 INSULATOR: PA46, UL94V-0
 CONTACT:
 PHOSPHOR BRONZE TIN PLATED

FPC e 503 Rt XX T X

PITCH
e: 1.00 mm

SERIES NO.
503

NO. OF PIN
04-30

PACKAGE
T: TUBE
T/R: TAPE & REEL

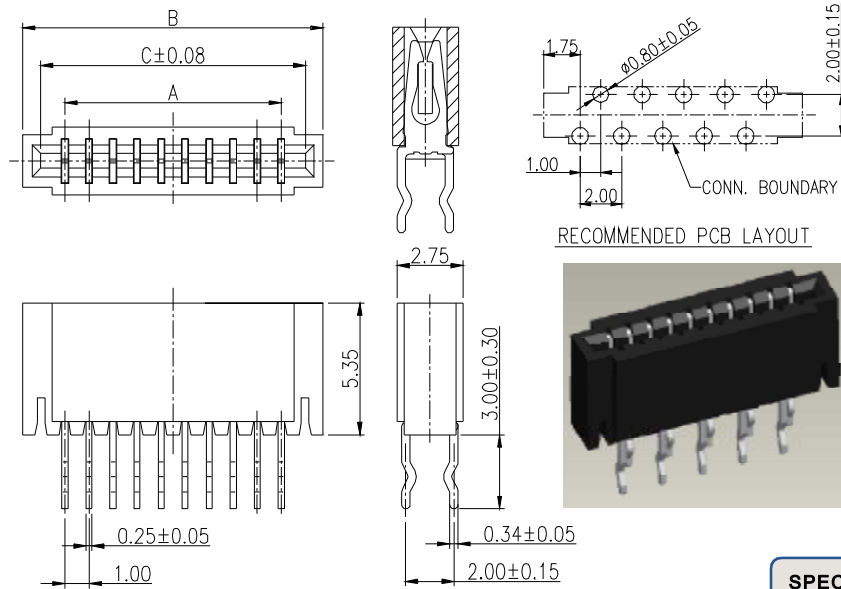
FPC CONNECTOR

PCB TYPE
Rt: RIGHT ANGLE SURFACE MOUNT TYPE

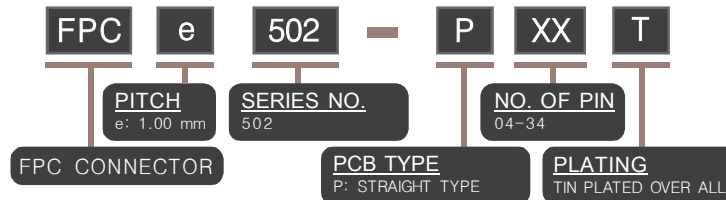
PLATING
TIN PLATED OVER ALL

NOTE : SOME SIZES, STYLES AND OPTION ARE NON-STANDARD, NON-CANCELLABLE, NON-RETURNABLE

1.00 mm FPCe502 STRAIGHT TYPE- P



MODEL NO.	NO. OF CONTACTS	DIMENSIONS		
		A	B	C
FPCe502-P04T	4	3.00	6.50	5.15
FPCe502-P05T	5	4.00	7.50	6.15
FPCe502-P06T	6	5.00	8.50	7.15
FPCe502-P07T	7	6.00	9.50	8.15
FPCe502-P08T	8	7.00	10.50	9.15
FPCe502-P09T	9	8.00	11.50	10.15
FPCe502-P10T	10	9.00	12.50	11.15
FPCe502-P11T	11	10.00	13.50	12.15
FPCe502-P12T	12	11.00	14.50	13.15
FPCe502-P13T	13	12.00	15.50	14.15
FPCe502-P14T	14	13.00	16.50	15.15
FPCe502-P15T	15	14.00	17.50	16.15
FPCe502-P16T	16	15.00	18.50	17.15
FPCe502-P17T	17	16.00	19.50	18.15
FPCe502-P18T	18	17.00	20.50	19.15
FPCe502-P19T	19	18.00	21.50	20.15
FPCe502-P20T	20	19.00	22.50	21.15
FPCe502-P21T	21	20.00	23.50	22.15
FPCe502-P22T	22	21.00	24.50	23.15
FPCe502-P23T	23	22.00	25.50	24.15
FPCe502-P24T	24	23.00	26.50	25.15
FPCe502-P25T	25	24.00	27.50	26.15
FPCe502-P26T	26	25.00	28.50	27.15
FPCe502-P27T	27	26.00	29.50	28.15
FPCe502-P28T	28	27.00	30.50	29.15
FPCe502-P29T	29	28.00	31.50	30.15
FPCe502-P30T	30	29.00	32.50	31.15
FPCe502-P31T	31	30.00	33.50	32.15
FPCe502-P32T	32	31.00	34.50	33.15
FPCe502-P33T	33	32.00	35.50	34.15
FPCe502-P34T	34	33.00	36.50	35.15



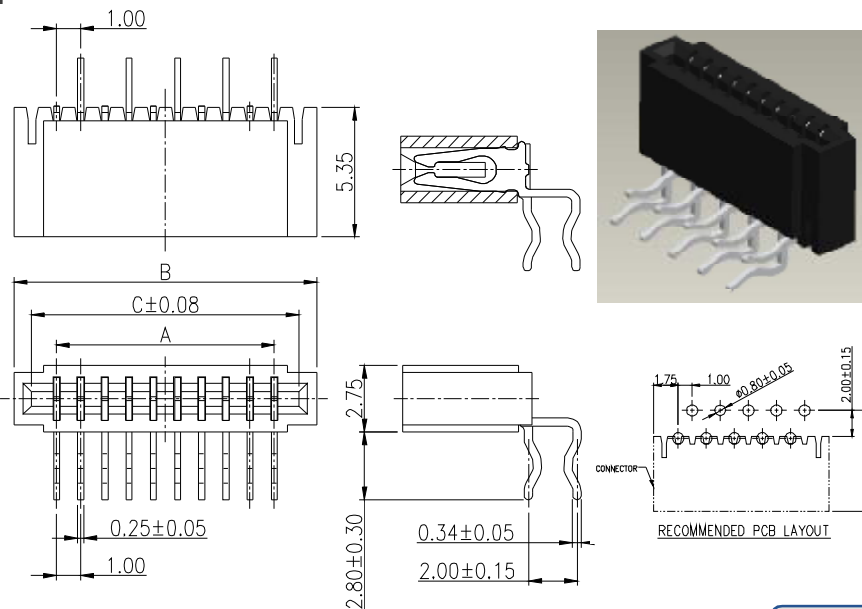
SPECIFICATION

OPERATING VOLTAGE: 50 VAC
 CURRENT RATING: 0.5 AMP
 CONTACT RESISTANCE: 30 MOHM MAX.
 INSULATION RESISTANCE: 500 MOHM MIN.
 DIELECTRIC WITHSTANDING VOLTAGE: 500 VAC RMS.
 ACCOMMODATED FFC/FPC THICKNESS: 0.25~0.35 mm
 OPERATING TEMPERATURE: -40°C ~ +85°C

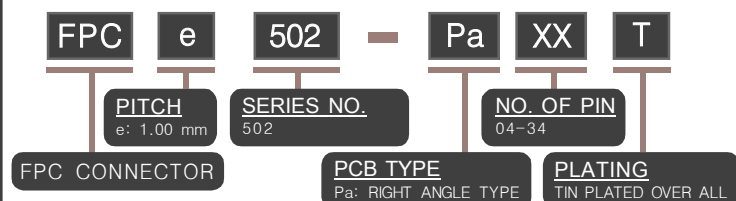
MATERIALS

INSULATOR: PA9T, UL94V-0 RATED
 (COLOR: BLACK)
 TERMINAL : PHOSPHOR BRONZE

1.00 mm FPCe502 RIGHT ANGLE TYPE- Pa



MODEL NO.	NO. OF CONTACTS	DIMENSIONS		
		A	B	C
FPCe502-Pa04T	4	3.00	6.50	5.15
FPCe502-Pa05T	5	4.00	7.50	6.15
FPCe502-Pa06T	6	5.00	8.50	7.15
FPCe502-Pa07T	7	6.00	9.50	8.15
FPCe502-Pa08T	8	7.00	10.50	9.15
FPCe502-Pa09T	9	8.00	11.50	10.15
FPCe502-Pa10T	10	9.00	12.50	11.15
FPCe502-Pa11T	11	10.00	13.50	12.15
FPCe502-Pa12T	12	11.00	14.50	13.15
FPCe502-Pa13T	13	12.00	15.50	14.15
FPCe502-Pa14T	14	13.00	16.50	15.15
FPCe502-Pa15T	15	14.00	17.50	16.15
FPCe502-Pa16T	16	15.00	18.50	17.15
FPCe502-Pa17T	17	16.00	19.50	18.15
FPCe502-Pa18T	18	17.00	20.50	19.15
FPCe502-Pa19T	19	18.00	21.50	20.15
FPCe502-Pa20T	20	19.00	22.50	21.15
FPCe502-Pa21T	21	20.00	23.50	22.15
FPCe502-Pa22T	22	21.00	24.50	23.15
FPCe502-Pa23T	23	22.00	25.50	24.15
FPCe502-Pa24T	24	23.00	26.50	25.15
FPCe502-Pa25T	25	24.00	27.50	26.15
FPCe502-Pa26T	26	25.00	28.50	27.15
FPCe502-Pa27T	27	26.00	29.50	28.15
FPCe502-Pa28T	28	27.00	30.50	29.15
FPCe502-Pa29T	29	28.00	31.50	30.15
FPCe502-Pa30T	30	29.00	32.50	31.15
FPCe502-Pa31T	31	30.00	33.50	32.15
FPCe502-Pa32T	32	31.00	34.50	33.15
FPCe502-Pa33T	33	32.00	35.50	34.15
FPCe502-Pa34T	34	33.00	36.50	35.15



SPECIFICATION

OPERATING VOLTAGE: 50 VAC
 CURRENT RATING: 0.5 AMP
 CONTACT RESISTANCE: 30 MOHM MAX.
 INSULATION RESISTANCE: 500 MOHM MIN.
 DIELECTRIC WITHSTANDING VOLTAGE: 500 VAC RMS.
 ACCOMMODATED FFC/FPC THICKNESS: 0.25~0.35 mm
 OPERATING TEMPERATURE: -40°C ~ +85°C

MATERIALS

INSULATOR: PA9T, UL94V-0 RATED
 (COLOR: BLACK)
 TERMINAL : PHOSPHOR BRONZE

NOTE : SOME SIZES, STYLES AND OPTION ARE NON-STANDARD, NON-CANCELLABLE, NON-RETURNABLE