

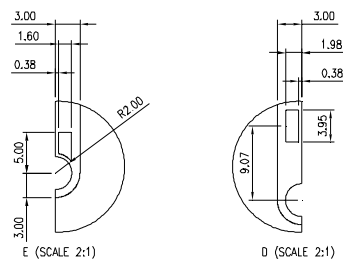
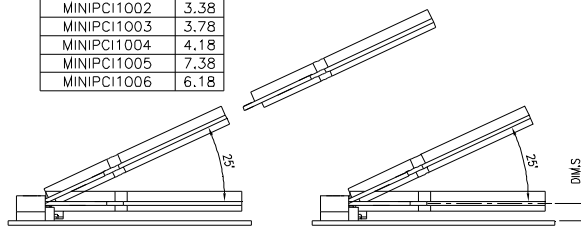
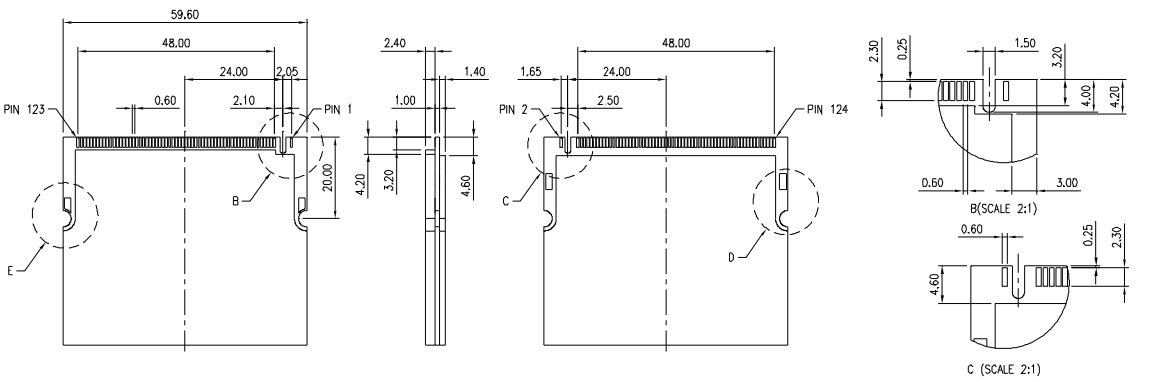
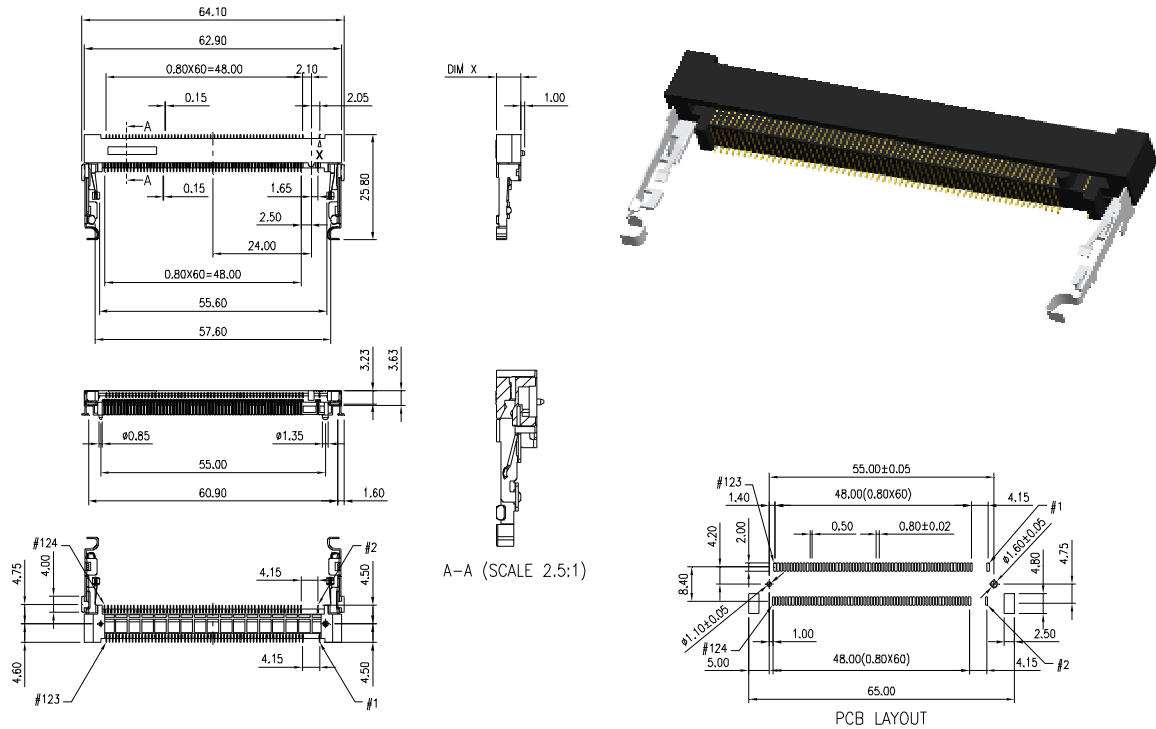
**MMI**

---

**MINI PCI  
CONNECTOR**

---

# MINIPCI 100X SERIES RIGHT ANGLE SURFACE MOUNT TYPE - Rt



**MINIPCI**

MINI PCI CONNECTOR

**100X**

SERIES NO.

1001: DIM.X= 4.00 mm  
 1002: DIM.X= 5.20 mm  
 1003: DIM.X= 5.60 mm  
 1004: DIM.X= 6.00 mm  
 1005: DIM.X= 9.20 mm  
 1006: DIM.X= 8.00 mm

**Rt**

PCB TYPE

Rt: RIGHT ANGLE SURFACE MOUNT TYPE

**124**

NO. OF PINS

124

**GX**

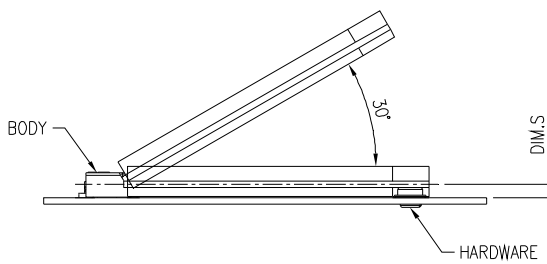
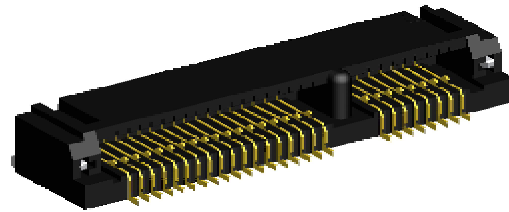
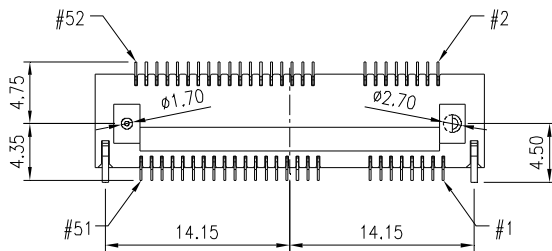
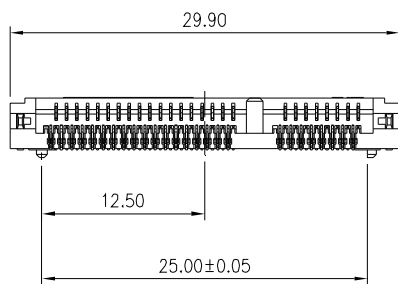
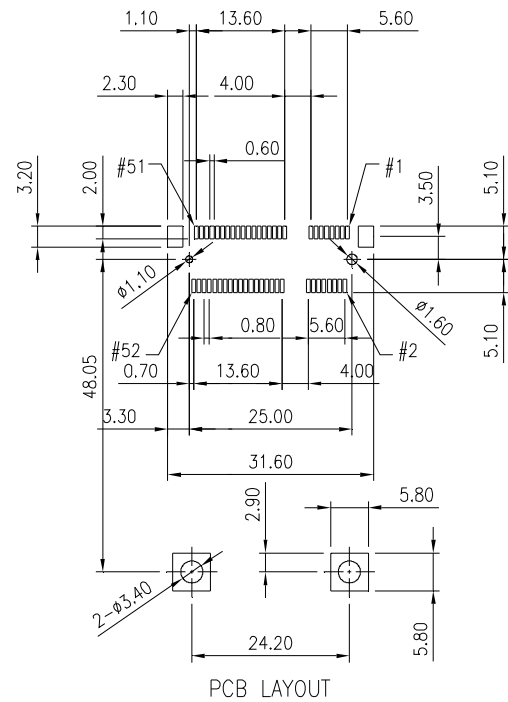
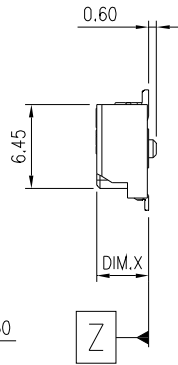
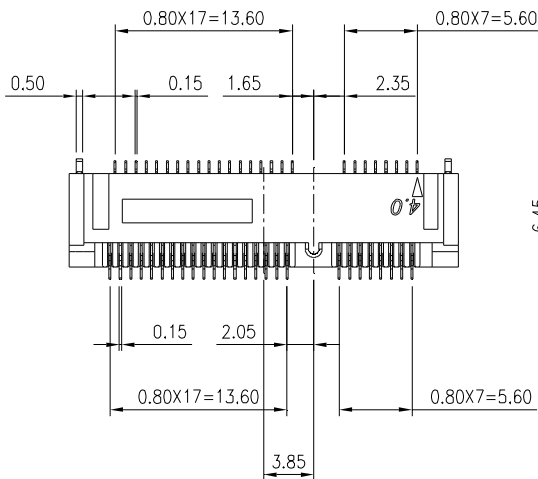
CONTACT PLATING OPTION

Gf: GOLD FLASH OVER ALL  
 Gf: GOLD FLASH ON CONTACT, TIN PLATED ON SOLDER TAIL  
 G50: 50μ" COLD ON CONTACT

**NOTE**  
 SOLDER TAIL TO BE WITHIN 0.05 UPWARD AND 0.2 DOWNWARD FROM Z-DATUM PLACE, AND COPLANALITY OF SOLDER TAILS TO BE WITHIN 0.12. MEASUREMENT POINT IS SOLDER TAIL TIP.

NOTE : SOME SIZES, STYLES AND OPTION ARE NON-STANDARD, NON-CANCELLABLE, NON-RETURNABLE

# MINIPCIE 100X SERIES RIGHT ANGLE SURFACE MOUNT TYPE - Rt



MINI PCI EXPRESS SERIES	DIM.S
MINIPCIE1001	2.11
MINIPCIE1002	3.31
MINIPCIE1003	3.71
MINIPCIE1004	4.11
MINIPCIE1005	4.91
MINIPCIE1006	6.11
MINIPCIE1007	7.31

**MINIPCIE**  
MINI PCI EXPRESS  
CONNECTOR

**100X**  
SERIES NO.  
1001: DIM.X= 4.00 mm  
1002: DIM.X= 5.20 mm  
1003: DIM.X= 5.60 mm  
1004: DIM.X= 6.00 mm  
1005: DIM.X= 6.80 mm  
1006: DIM.X= 8.00 mm  
1007: DIM.X= 9.20 mm

**Rt**  
PCB TYPE  
Rt: RIGHT ANGLE  
SURFACE MOUNT TYPE

**52 GX**  
NO. OF PINS  
52

**CONTACT PLATING**  
Gf: GOLD FLASH

**NOTE**  
SOLDERTAIL TO BE WITHIN 0.05 UPWARD  
AND 0.2 DOWNWARD FROM Z-DATUM PLACE,  
AND COPLANALITY OF SOLDERTAILS TO BE  
WITHIN 0.12  
MEASUREMENT POINT IS SOLDERTAIL TIP.

NOTE : SOME SIZES, STYLES AND OPTION ARE NON-STANDARD, NON-CANCELLABLE, NON-RETURNABLE