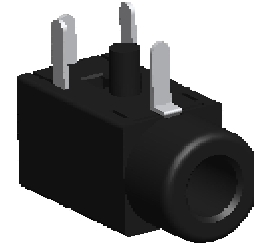
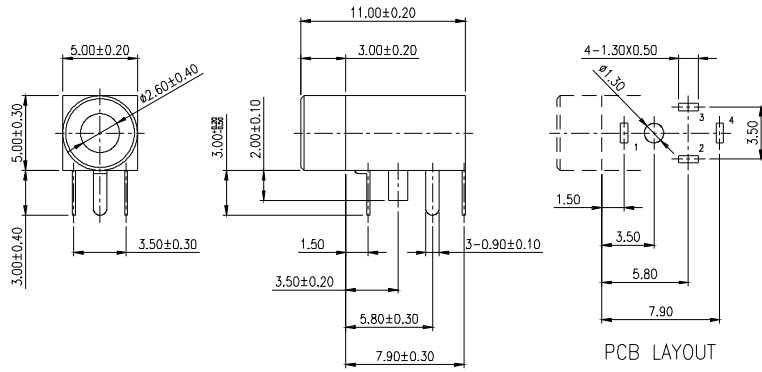


- JP -
PHONE JACK

TERMINAL TYPE

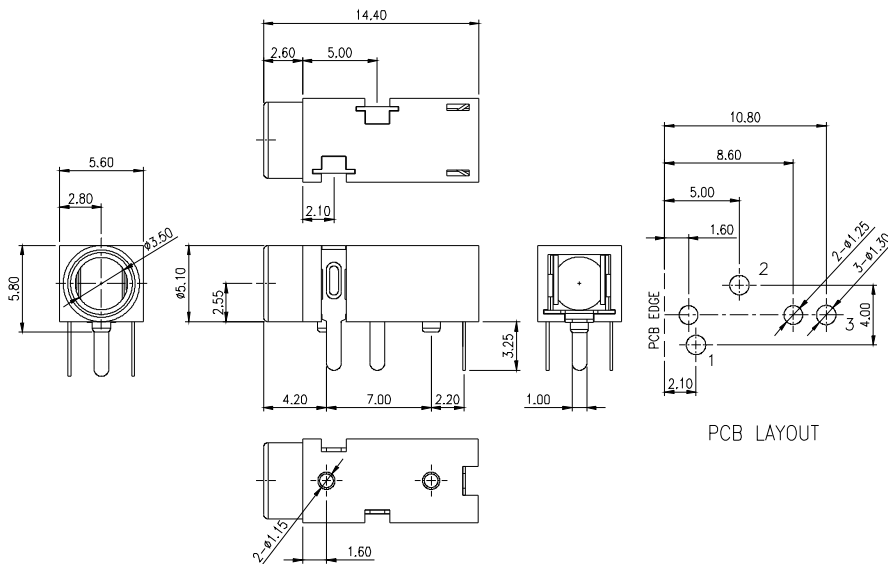
- P : PCB TYPE, STRAIGHT TYPE
 - Rt : PCB TYPE, RIGHT ANGLE SURFACE
MOUNT TYPE
-

PHONE JACK - RIGHT ANGLE TYPE - Pa



JP	001	Pa	2	A3	A	A
PHONE JACK	SERIES NO.	PCB TYPE Pa: RIGHT ANGLE TYPE	NO. OF POLE	SCHEMATIC TYPE A3: A3 TYPE	FRAME CODE A: A TYPE	CLASS OF THE CENTER PIN A: CENTER PIN DIAMETER = 2.60mm

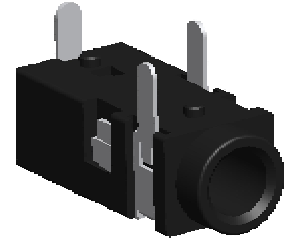
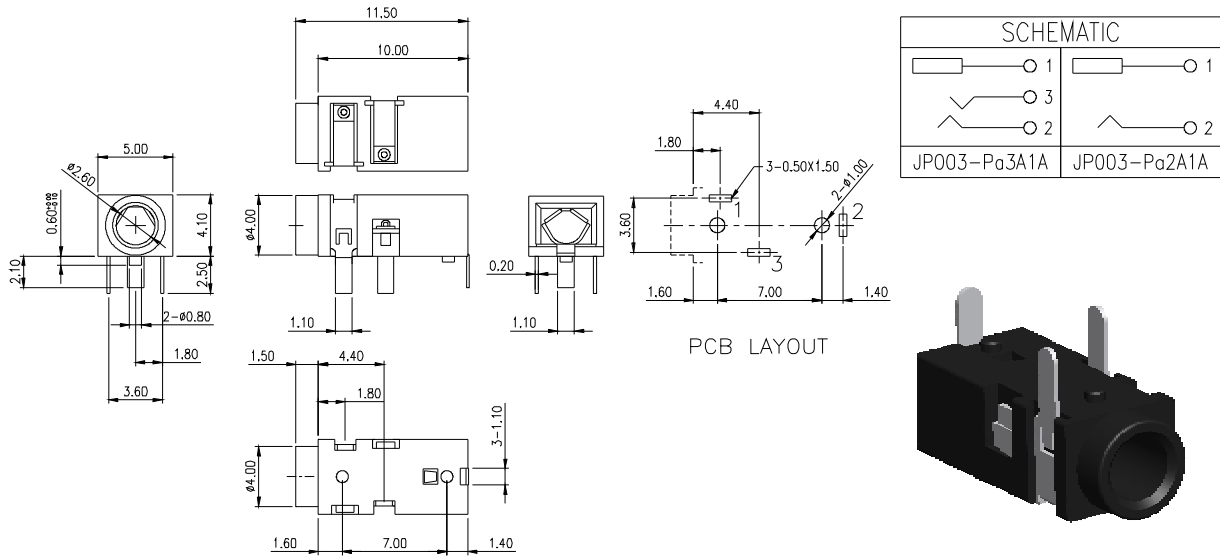
PHONE JACK - RIGHT ANGLE TYPE - Pa



JP	002	Pa	3	A1	A
PHONE JACK	SERIES NO.	PCB TYPE Pa: RIGHT ANGLE TYPE	NO. OF POLE	SCHEMATIC TYPE A1: A1 TYPE	FRAME CODE A: A TYPE

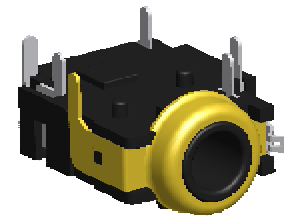
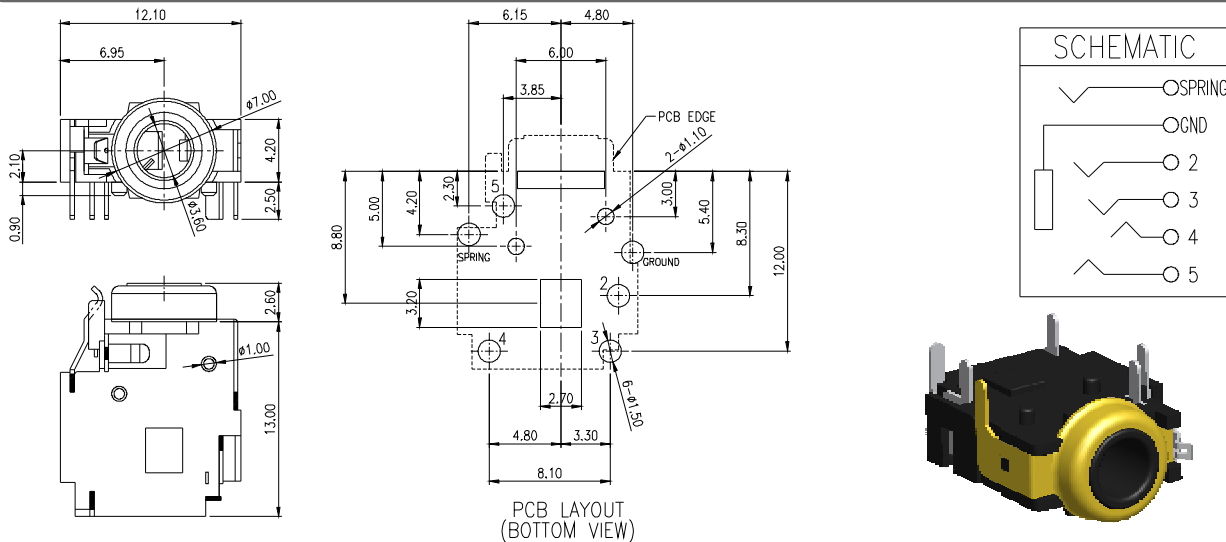
NOTE : SOME SIZES, STYLES AND OPTION ARE NON-STANDARD, NON-CANCELLABLE, NON-RETURNABLE

PHONE JACK - RIGHT ANGLE TYPE - Pa



JP	003	Pa	X	XX	A
PHONE JACK	SERIES NO.	PCB TYPE Pa: RIGHT ANGLE TYPE	NO. OF POLE 2, 3	SCHEMATIC TYPE A1: A1 TYPE	FRAME CODE A: A TYPE

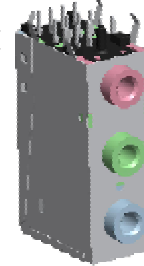
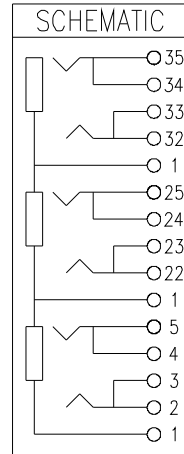
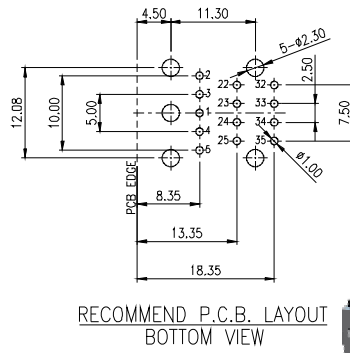
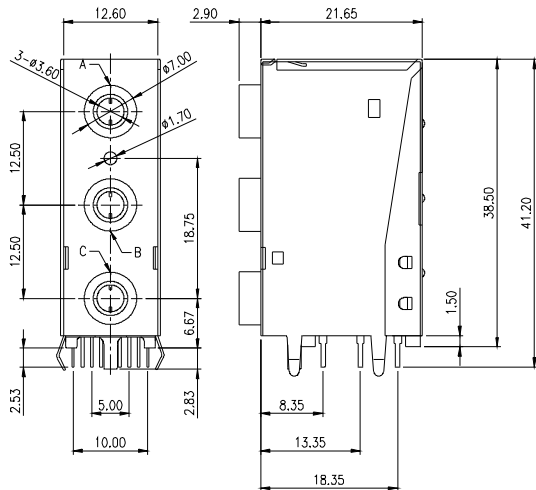
PHONE JACK - RIGHT ANGLE TYPE - Pa



JP	004	Pa	4	E3	A
PHONE JACK	SERIES NO.	PCB TYPE Pa: RIGHT ANGLE TYPE	NO. OF POLE	SCHEMATIC TYPE E3: E3 TYPE	FRAME CODE A: A TYPE

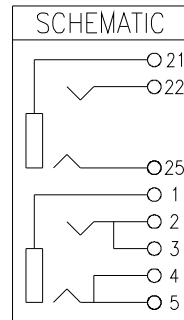
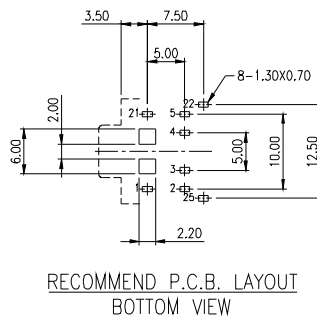
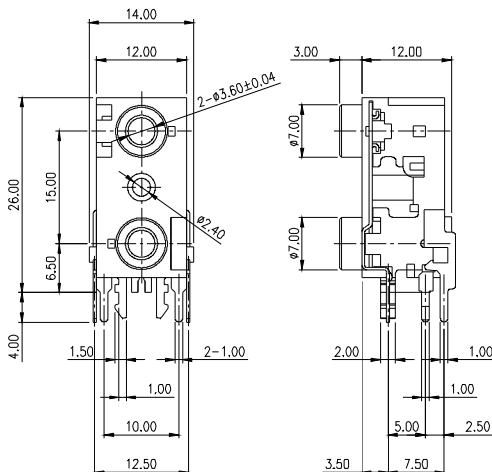
NOTE : SOME SIZES, STYLES AND OPTION ARE NON-STANDARD, NON-CANCELLABLE, NON-RETURNABLE

PHONE JACK - RIGHT ANGLE TYPE - Pa



JP	007	Pa	3	B3	XXX	
PHONE JACK	SERIES NO.	PCB TYPE Pa: RIGHT ANGLE TYPE	NO. OF POLE	SCHEMATIC TYPE B3: B3 TYPE	HOUSING A, B, C, COLOR OPTION	
					416: A: YELLOW, B: BLACK, C: GREEN 269: A: BLUE, B: GREEN, C: PINK 926: A: PINK, B: BLUE, C: GREEN	

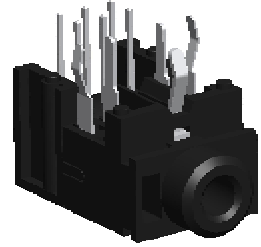
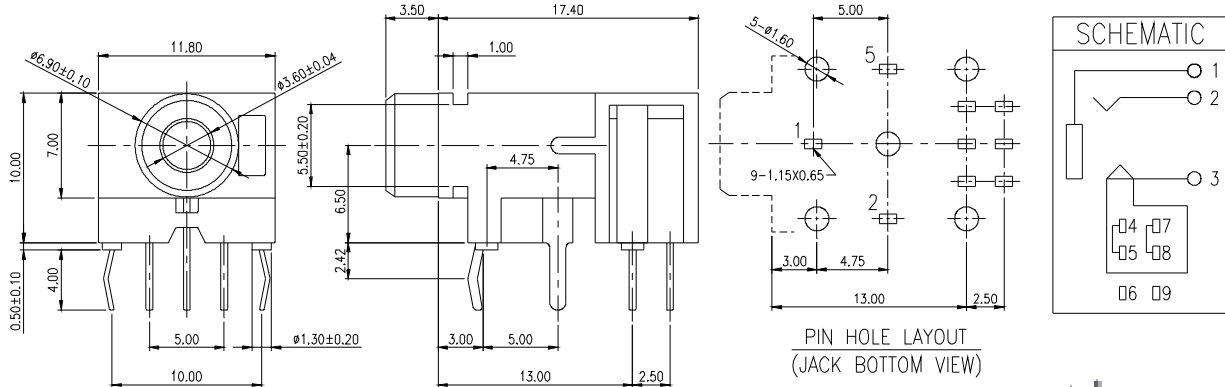
PHONE JACK - RIGHT ANGLE TYPE - Pa



JP	017	Pa	3	B3	A	B
PHONE JACK	SERIES NO.	PCB TYPE Pa: RIGHT ANGLE TYPE	NO. OF POLE	SCHEMATIC TYPE B3: B3 TYPE	FRAME CODE A: A TYPE	CLASS OF THE CENTER PIN B: CENTER PIN DIAMETER = 3.60mm

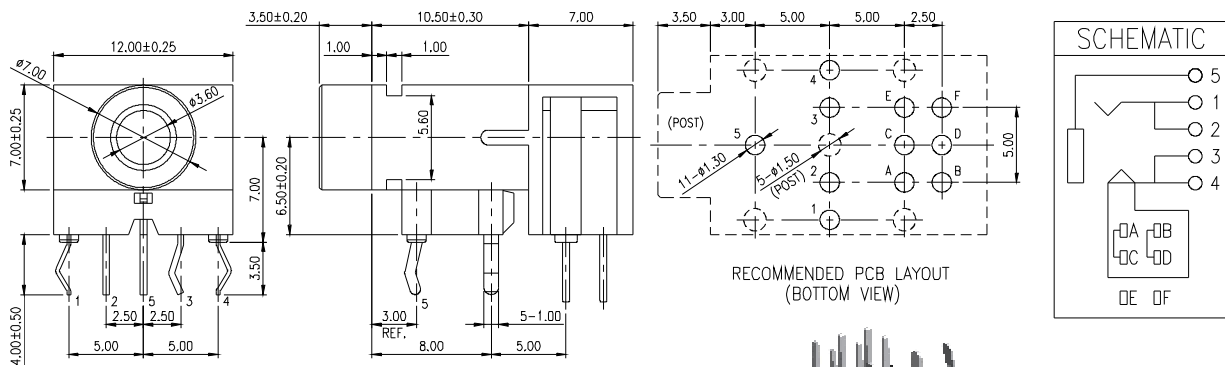
NOTE : SOME SIZES, STYLES AND OPTION ARE NON-STANDARD, NON-CANCELLABLE, NON-RETURNABLE

PHONE JACK - RIGHT ANGLE TYPE - Pa



JP — **011** — **Pa** — **3** — **F3** — **A**
 PHONE JACK — SERIES NO. — PCB TYPE (Pa: RIGHT ANGLE TYPE) — NO. OF POLE — SCHEMATIC TYPE (F3: F3 TYPE) — FRAME CODE (A: A TYPE WITHOUT THREAD)

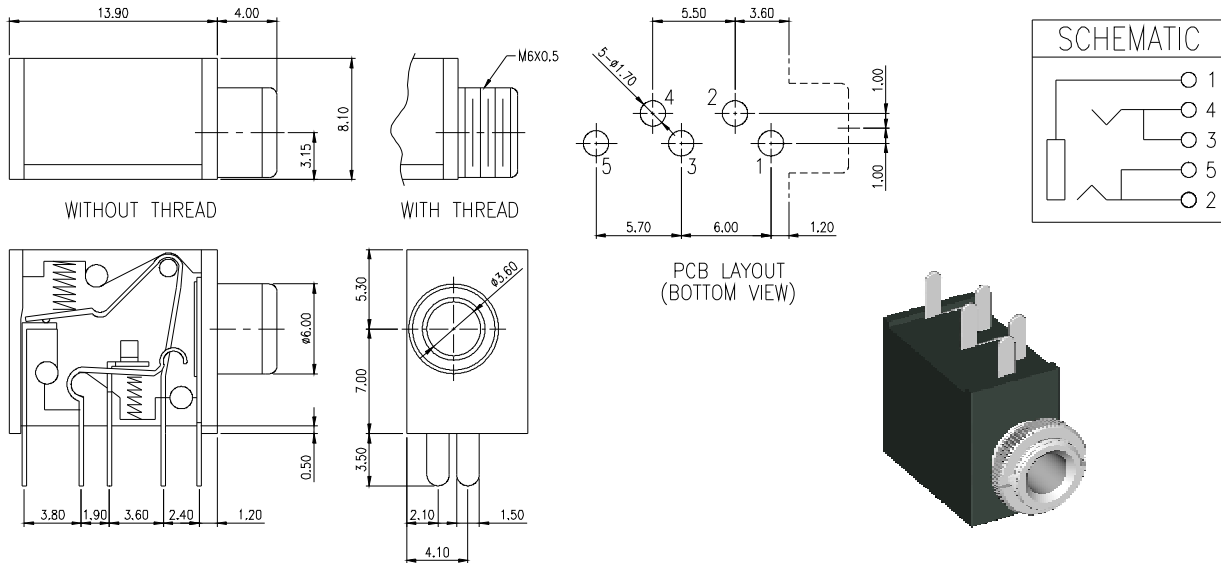
PHONE JACK - RIGHT ANGLE TYPE - Pa



JP — **111** — **Pa** — **3** — **F4** — **A** — **B** — **XX**
 PHONE JACK — SERIES NO. — PCB TYPE (Pa: RIGHT ANGLE TYPE) — NO. OF POLE — SCHEMATIC TYPE (F4: F4 TYPE) — CLASS OF THE CENTER PIN (B: CENTER PIN DIAMETER = 3.60mm) — FRAME CODE (A: A TYPE WITHOUT THREAD) — HOUSING COLOR OPTION (01: BLACK, 02: BLUE, 06: GREEN, 09: PINK)

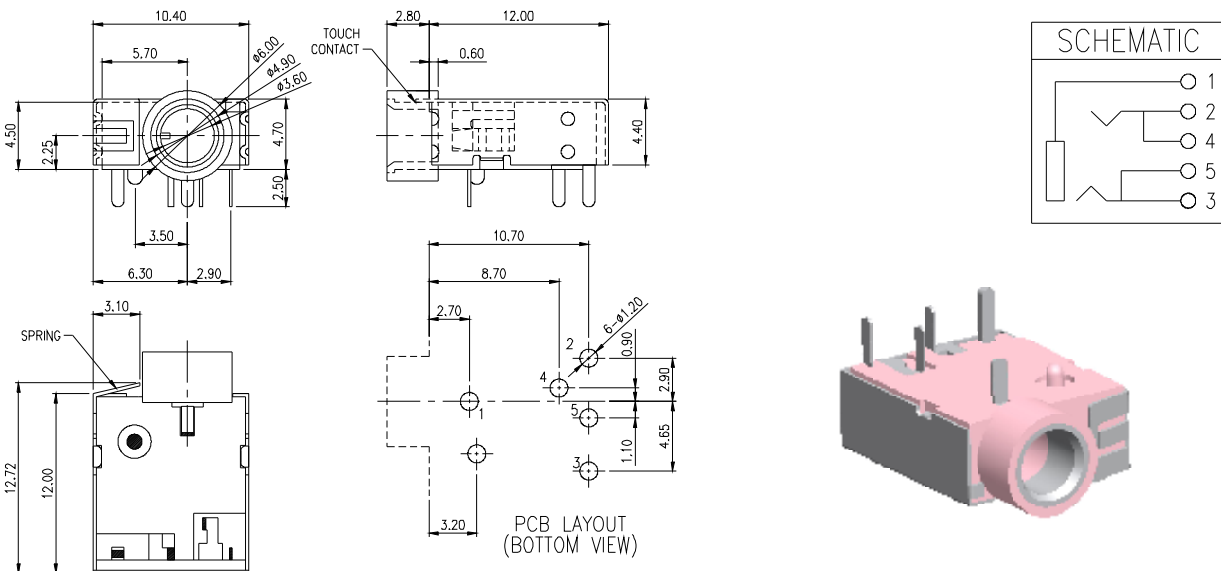
NOTE : SOME SIZES, STYLES AND OPTION ARE NON-STANDARD, NON-CANCELLABLE, NON-RETURNABLE

PHONE JACK - RIGHT ANGLE TYPE - Pa



JP	102	Pa	3	B3	C	B	NUT
PHONE JACK	SERIES NO.	PCB TYPE Pa: RIGHT ANGLE TYPE	NO. OF POLE	SCHEMATIC TYPE B3: B3 TYPE	FRAME CODE C: C TYPE WITHOUT THREAD	CLASS OF THE CENTER PIN B: CENTER PIN DIAMETER = 3.60mm	NUT OPTION BLANK: UNTHREADED BUSHING W/O NUT NUT: THREADED BUSHING WITH NUT

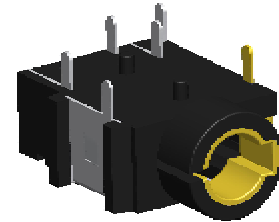
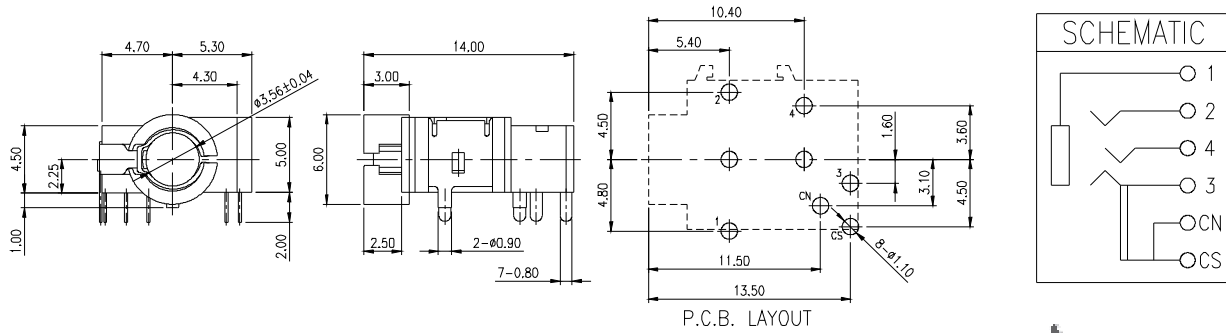
PHONE JACK - RIGHT ANGLE TYPE - Pa



JP	103	Pa	3	B3	A	XX
PHONE JACK	SERIES NO.	PCB TYPE Pa: RIGHT ANGLE TYPE	NO. OF POLE	SCHEMATIC TYPE B3: B3 TYPE	FRAME CODE A: A TYPE WITHOUT THREAD	HOUSING COLOR OPTION 01: BLACK 02: BLUE 04: YELLOW 06: GREEN 08: ORANGE 09: PINK

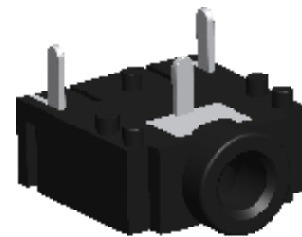
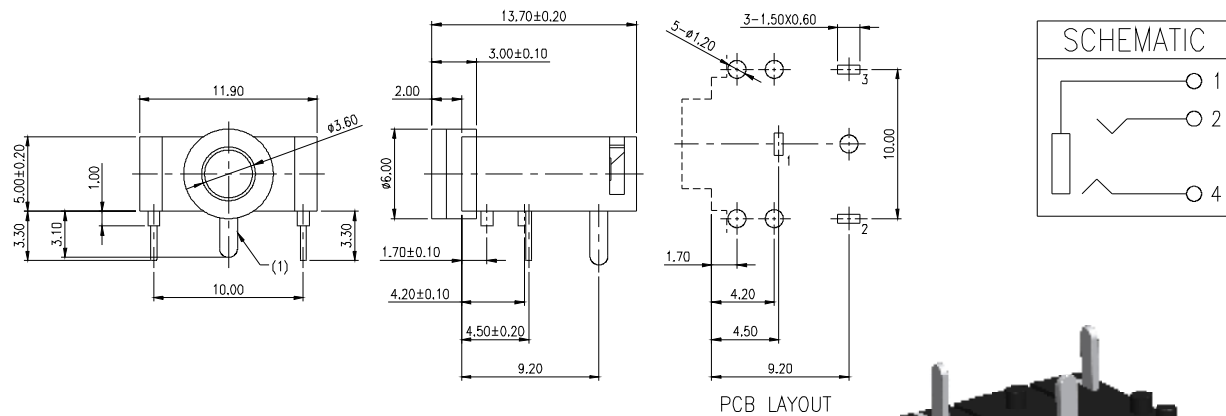
NOTE : SOME SIZES, STYLES AND OPTION ARE NON-STANDARD, NON-CANCELLABLE, NON-RETURNABLE

PHONE JACK - RIGHT ANGLE TYPE - Pa



JP	104	Pa	6	B6	C	B
PHONE JACK	SERIES NO.	PCB TYPE Pa: RIGHT ANGLE TYPE	NO. OF POLE	SCHEMATIC TYPE B6: B6 TYPE	FRAME CODE C: C TYPE WITHOUT THREAD	CLASS OF THE CENTER PIN B: CENTER PIN DIAMETER = 3.60mm

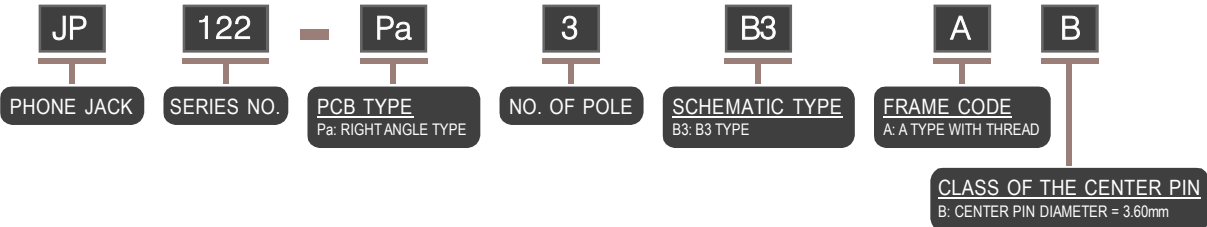
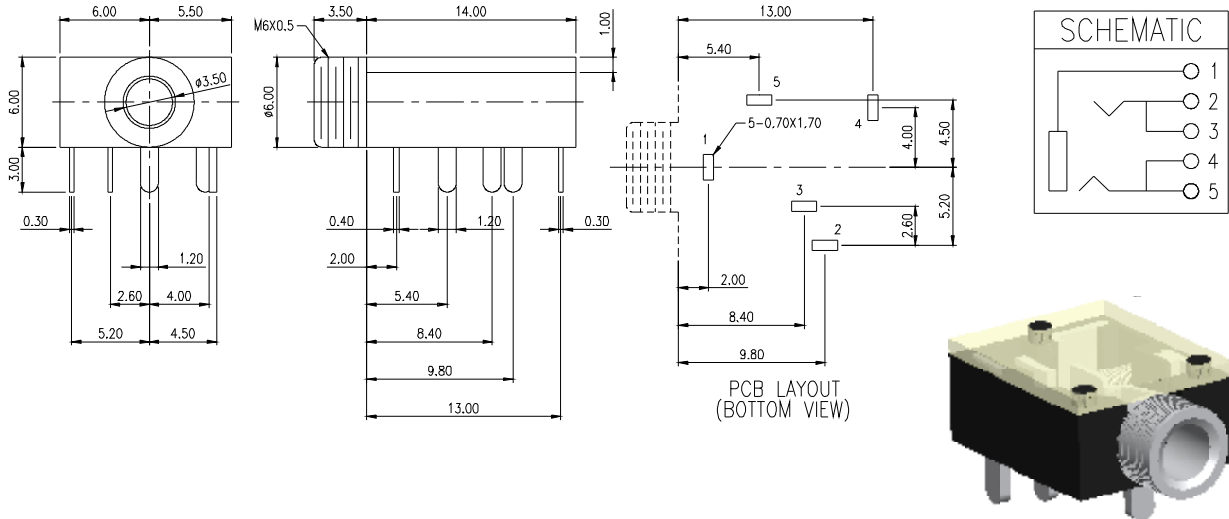
PHONE JACK - RIGHT ANGLE TYPE - Pa



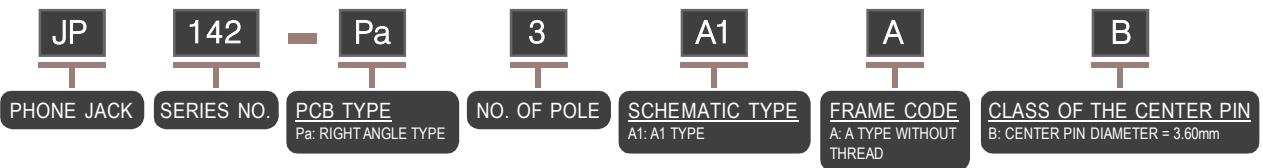
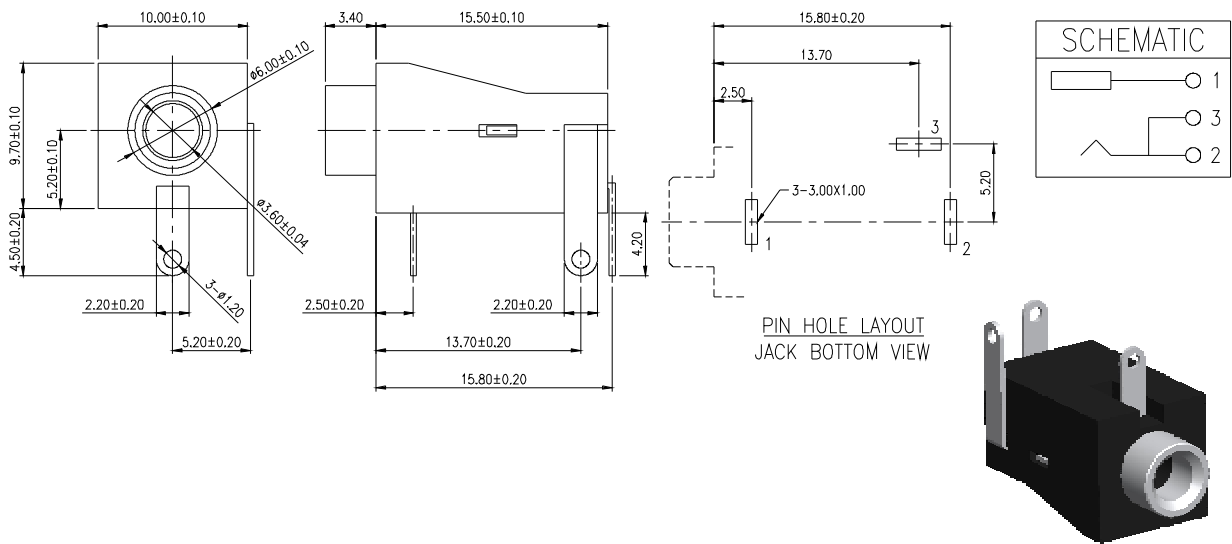
JP	112	Pa	3	A1	A	B
PHONE JACK	SERIES NO.	PCB TYPE Pa: RIGHT ANGLE TYPE	NO. OF POLE	SCHEMATIC TYPE A1: A1 TYPE	FRAME CODE A: A TYPE WITHOUT THREAD	CLASS OF THE CENTER PIN B: CENTER PIN DIAMETER = 3.60mm

NOTE : SOME SIZES, STYLES AND OPTION ARE NON-STANDARD, NON-CANCELLABLE, NON-RETURNABLE

PHONE JACK - RIGHT ANGEL TYPE - Pa



PHONE JACK - RIGHT ANGLE TYPE - Pa



NOTE : SOME SIZES, STYLES AND OPTION ARE NON-STANDARD, NON-CANCELLABLE, NON-RETURNABLE

PHONE JACK - RIGHT ANGLE TYPE - Pa

PCB LAYOUT <BOTTOM VIEW>

SCHMATIC

JP 151 - Pa 3 B3 A B - XXX

PHONE JACK

SERIES NO.

PCB TYPE
Pa: RIGHT ANGLE TYPE

NO. OF POLE

SCHEMATIC TYPE
B3: B3 TYPE

CLASS OF THE CENTER PIN
B: CENTER PIN DIAMETER = 3.60mm

HOUSING A, B, C COLOR OPTION
111: A: BLACK, B: BLACK, C: BLACK
269: A: BLUE, B: GREEN, C: PINK
629: A: GREEN, B: BLUE, C: PINK

PHONE JACK - RIGHT ANGLE TYPE - Pa

HOUSING WITHOUT METAL SHIELD

HOUSING WITH METAL SHIELD

PCB LAYOUT

SCHMATIC

JP 152 - Pa X XX A B - X

PHONE JACK

SERIES NO.

PCB TYPE
Pa: RIGHT ANGLE TYPE

NO. OF POLE
2 (ONLY FOR C1, D1)
3 (ONLY FOR A1, B3)

SCHEMATIC TYPE
A1: A1 TYPE, B3: B3 TYPE,
C1: C1 TYPE, D1: D1 TYPE

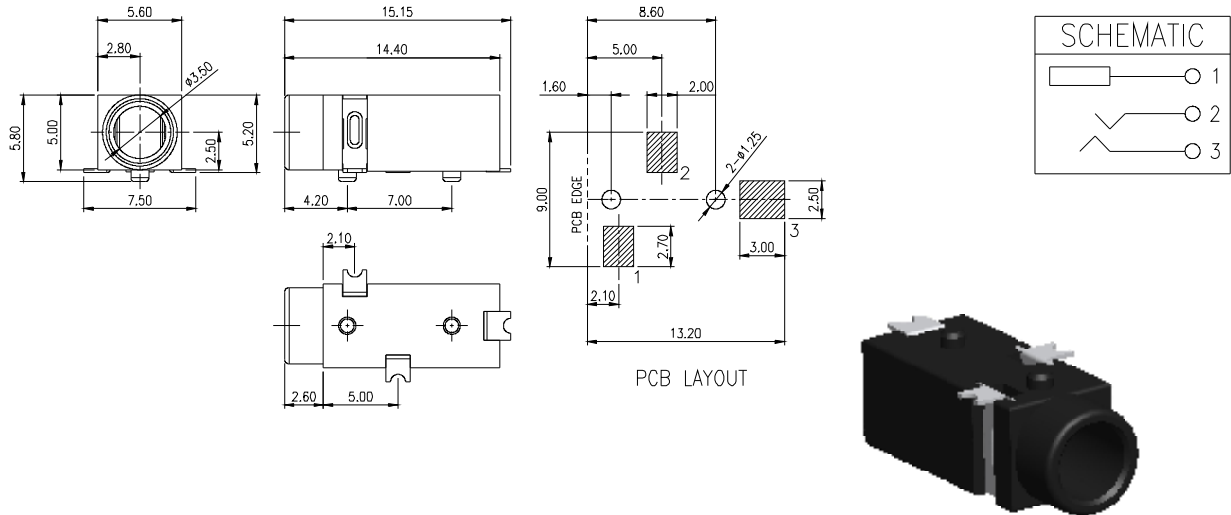
CLASS OF THE CENTER PIN
B: CENTER PIN DIAMETER = 3.60mm

FRAME CODE
A: A TYPE WITHOUT THREAD

METAL SHIELD OPTION
BLANK: WITHOUT METAL SHIELD
S: WITH METAL SHIELD

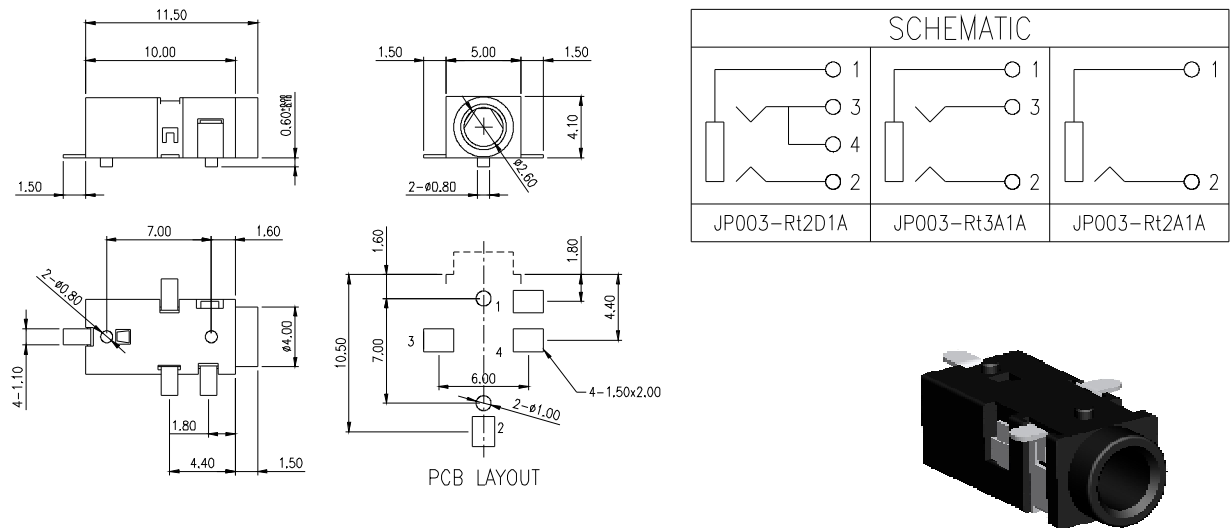
NOTE : SOME SIZES, STYLES AND OPTION ARE NON-STANDARD, NON-CANCELLABLE, NON-RETURNABLE

PHONE JACK - R/A SURFACE MOUNT TYPE - Rt



JP	002	Rt	3	A1	A
PHONE JACK	SERIES NO.	PCB TYPE Rt: RIGHT ANGLE SURFACE MOUNT TYPE	NO. OF POLE	SCHEMATIC TYPE A1: A1 TYPE	FRAME CODE A: A TYPE

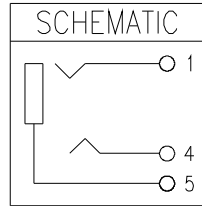
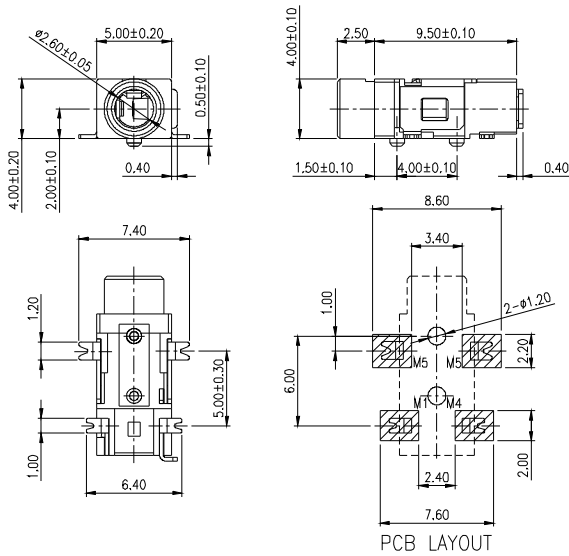
PHONE JACK - R/A SURFACE MOUNT TYPE - Rt



JP	003	Rt	X	XX	A
PHONE JACK	SERIES NO.	PCB TYPE Rt: RIGHT ANGLE SURFACE MOUNT TYPE	NO. OF POLE 2 (FOR A1, D1) 3 (FOR A1)	SCHEMATIC TYPE A1: A1 TYPE D1: D1 TYPE	FRAME CODE A: A TYPE

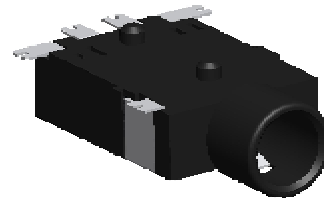
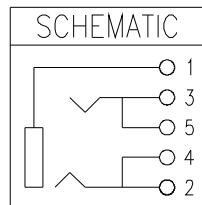
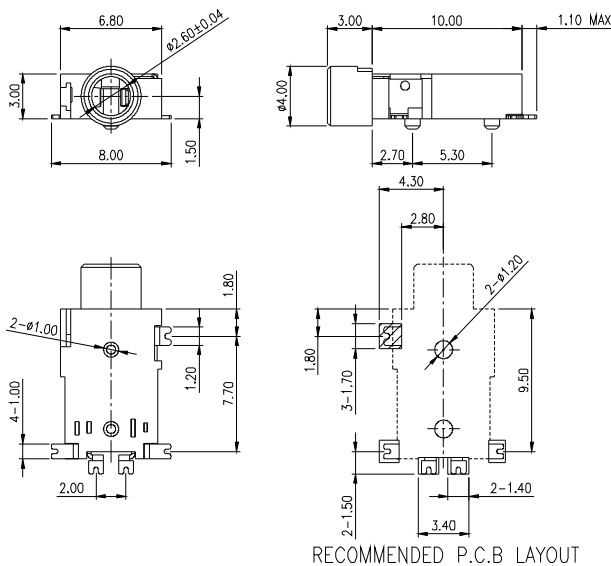
NOTE : SOME SIZES, STYLES AND OPTION ARE NON-STANDARD, NON-CANCELLABLE, NON-RETURNABLE

PHONE JACK - R/A SURFACE MOUNT TYPE - Rt



JP	008	Rt	3	A1	A
PHONE JACK	SERIES NO.	PCB TYPE Rt: RIGHT ANGLE SURFACE MOUNT TYPE	NO. OF POLE	SCHEMATIC TYPE A1: A1 TYPE	FRAME CODE A: A TYPE

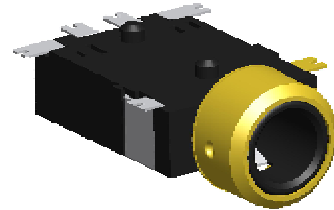
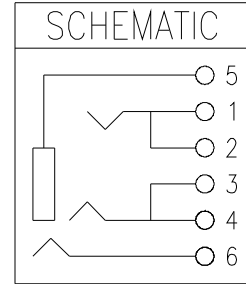
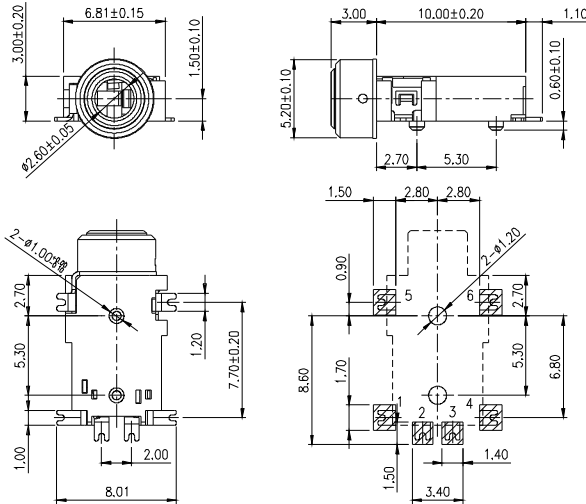
PHONE JACK - R/A SURFACE MOUNT TYPE - Rt



JP	010	Rt	3	B3	A
PHONE JACK	SERIES NO.	PCB TYPE Rt: RIGHT ANGLE SURFACE MOUNT TYPE	NO. OF POLE	SCHEMATIC TYPE B3: B3 TYPE	FRAME CODE A: A TYPE

NOTE : SOME SIZES, STYLES AND OPTION ARE NON-STANDARD, NON-CANCELLABLE, NON-RETURNABLE

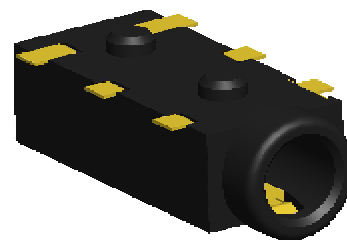
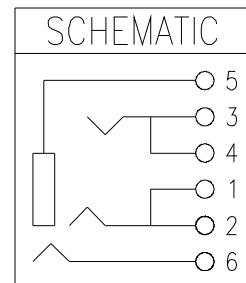
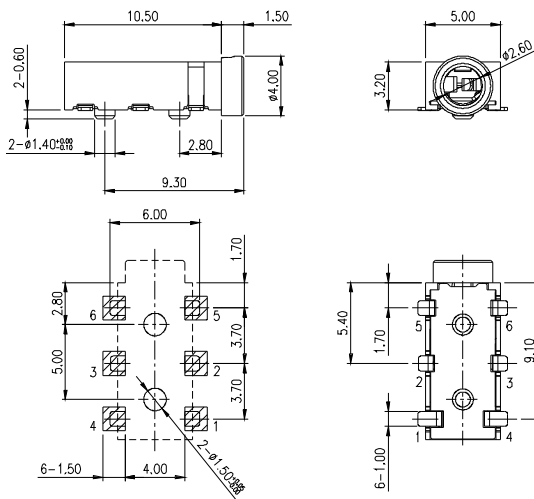
PHONE JACK - R/A SURFACE MOUNT TYPE - Rt



RECOMMENDED PCB LAYOUT

JP	010	Rt	3	B4	A
PHONE JACK	SERIES NO.	PCB TYPE Rt: RIGHT ANGLE SURFACE MOUNT TYPE	NO. OF POLE	SCHEMATIC TYPE B4: B4 TYPE	FRAME CODE A: A TYPE

PHONE JACK - R/A SURFACE MOUNT TYPE - Rt

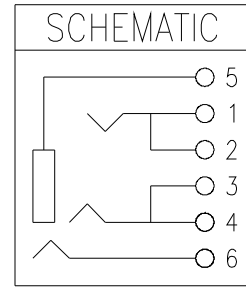
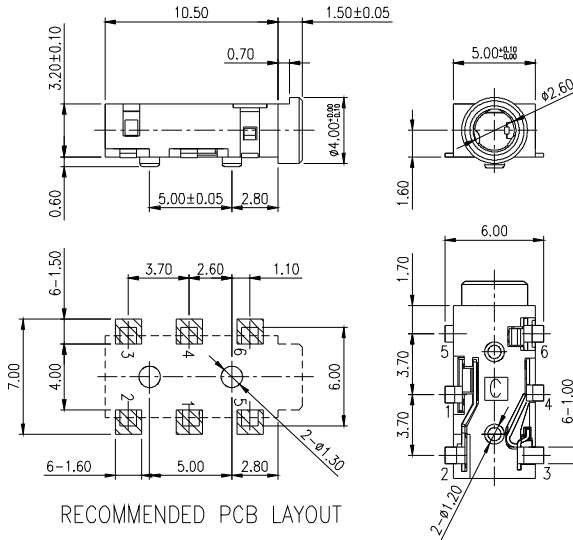


RECOMMENDED P.C.B. LAYOUT

JP	010	Rt	3	D3	A
PHONE JACK	SERIES NO.	PCB TYPE Rt: RIGHT ANGLE SURFACE MOUNT TYPE	NO. OF POLE	SCHEMATIC TYPE D3: D3 TYPE	FRAME CODE A: A TYPE

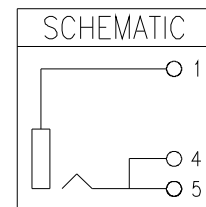
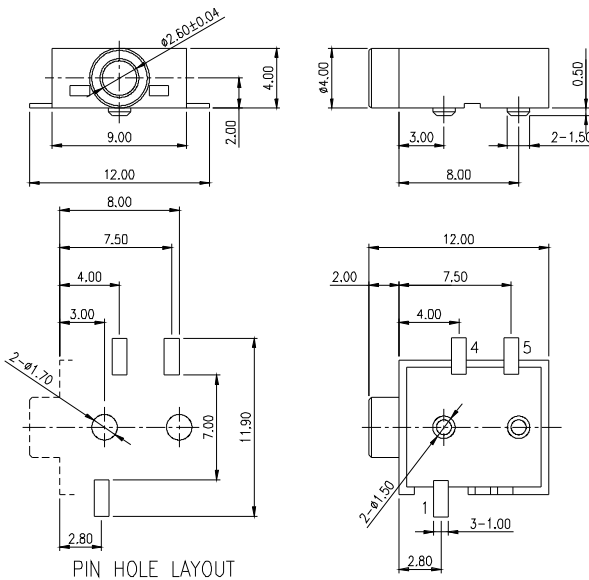
NOTE : SOME SIZES, STYLES AND OPTION ARE NON-STANDARD, NON-CANCELLABLE, NON-RETURNABLE

PHONE JACK - R/A SURFACE MOUNT TYPE - Rt



JP	029	Rt	3	B4	A	A
PHONE JACK	SERIES NO.	PCB TYPE Rt: RIGHT ANGLE SURFACE MOUNT TYPE	NO. OF POLE	SCHEMATIC TYPE B4: B4 TYPE	FRAME CODE A: A TYPE	CLASS OF THE CENTER PIN A: CENTER PIN DIAMETER = 2.60mm

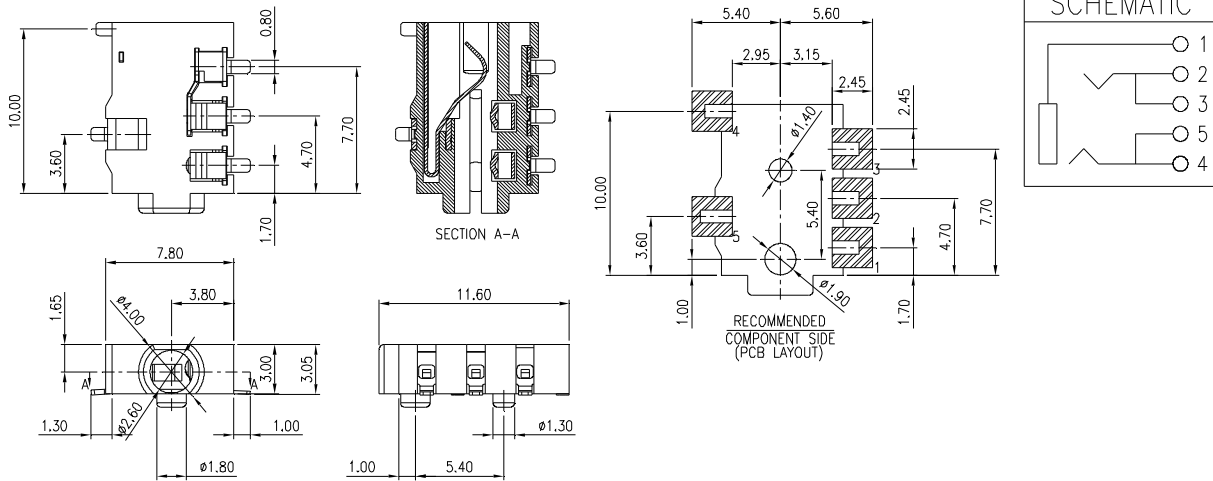
PHONE JACK - R/A SURFACE MOUNT TYPE - Rt



JP	039	Rt	2	B1	A	A
PHONE JACK	SERIES NO.	PCB TYPE Rt: RIGHT ANGLE SURFACE MOUNT TYPE	NO. OF POLE	SCHEMATIC TYPE B1: B1 TYPE	FRAME CODE A: A TYPE	CLASS OF THE CENTER PIN A: CENTER PIN DIAMETER = 2.60mm

NOTE : SOME SIZES, STYLES AND OPTION ARE NON-STANDARD, NON-CANCELLABLE, NON-RETURNABLE

PHONE JACK - R/A SURFACE MOUNT TYPE - Rt



JP	049	-	Rt	3	B3	A	A
PHONE JACK	SERIES NO.		PCB TYPE Rt: RIGHT ANGLE SURFACE MOUNT TYPE	NO. OF POLE	SCHEMATIC TYPE B3: B3 TYPE	FRAME CODE A: A TYPE	CLASS OF THE CENTER PIN A: CENTER PIN DIAMETER = 2.60mm

NOTE : SOME SIZES, STYLES AND OPTION ARE NON-STANDARD, NON-CANCELLABLE, NON-RETURNABLE