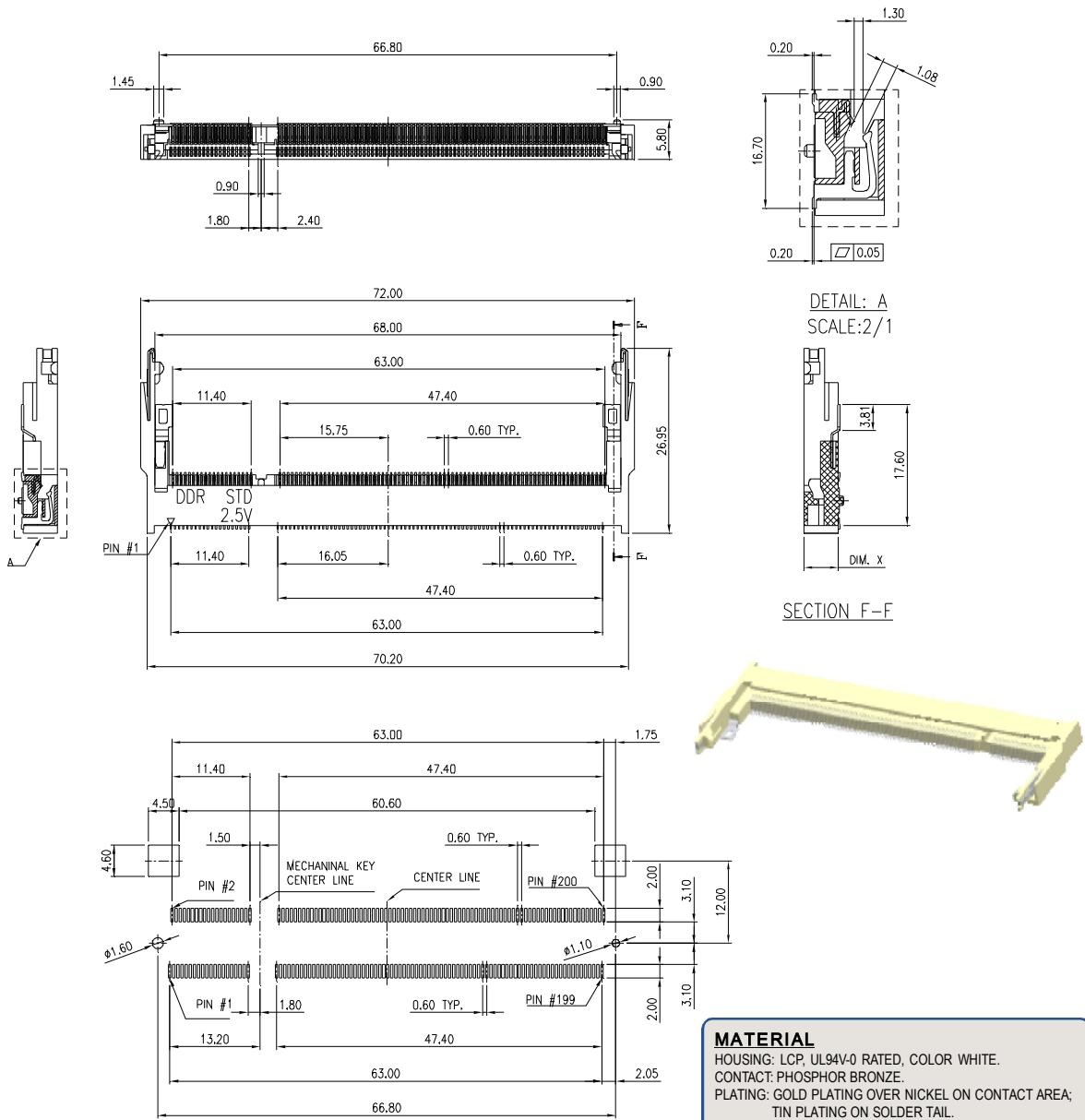


MMI

**S.O.DIMM
CONNECTOR**

S.O.DIMM CONNECTOR - RIGHT ANGLE SURFACE MOUNT TYPE - Rt



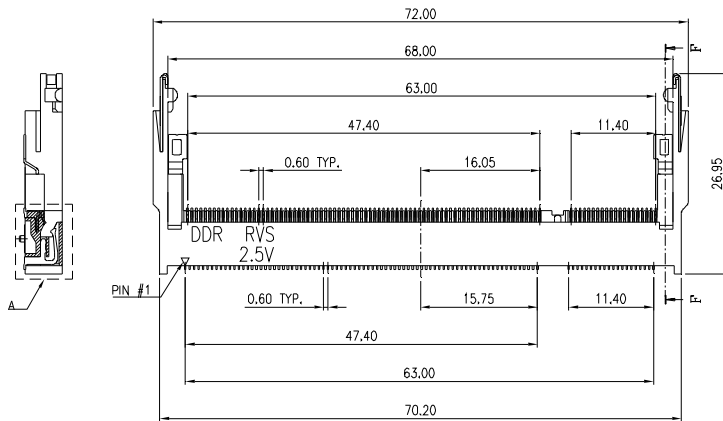
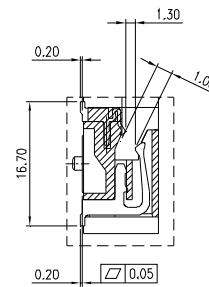
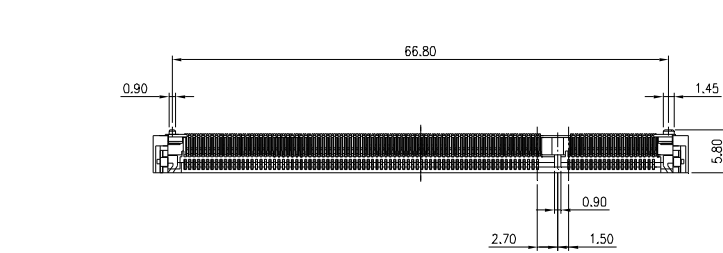
MATERIAL
 HOUSING: LCP, UL94V-0 RATED, COLOR WHITE.
 CONTACT: PHOSPHOR BRONZE.
 PLATING: GOLD PLATING OVER NICKEL ON CONTACT AREA;
 TIN PLATING ON SOLDER TAIL.
 BUTTRESS: STAINLESS STEEL.
 STATOR: STAINLESS STEEL.

ELECTRICAL SPECIFICATION
 OPERATION VOLTAGE: 25V AC MAX.
 CURRENT RATING: 0.3 AMPERE PER CONTACT.
 INSULATION RESISTANCE: 250 MΩ MIN.
 CONTACT RESISTANCE: 30 mΩ MAX. INITIAL 20mΩ MAX.
 INCREASE THROUGH TESTING.
 DIELECTRIC WITHSTANDING VOLTAGE: 250 V AC.
 OPERATING TEMPERATURE: -40° C~ +85° C

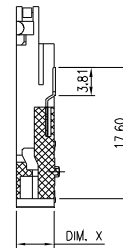
SODM	005	B	Rt	200	GX	2	L
S.O.DIMM CONNECTOR	SERIES NO.	PCB TYPE Rt: RIGHT ANGLE SURFACE MOUNT TYPE	NO. OF CONTACTS	VOLTAGE KEY 2: 2.5V DRAM	INSULATOR MATERIAL L: LCP	PLASTIC HEIGHT OPTION B: DIM.X=5.20 mm	
			CONTACT PLATING OPTION Gt: GOLD FLASH ON CONTACT, TIN PLATED ON SOLDER TAIL G10t: 10u" COLD ON CONTACT, TIN PLATED ON SOLDER TAIL G15t: 15u" COLD ON CONTACT, TIN PLATED ON SOLDER TAIL G30t: 30u" COLD ON CONTACT, TIN PLATED ON SOLDER TAIL				

NOTE : SOME SIZES, STYLES AND OPTION ARE NON-STANDARD, NON-CANCELLABLE, NON-RETURNABLE

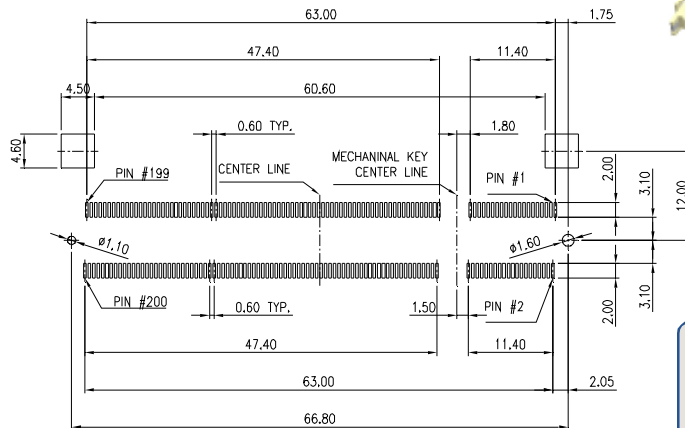
S.O.DIMM CONNECTOR - RIGHT ANGLE SURFACE MOUNT TYPE - Rt



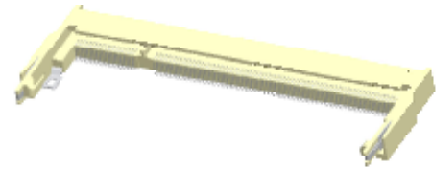
DETAIL: A
SCALE: 2/1



SECTION F-F



P.C.B. LAYOUT



MATERIAL
 HOUSING: LCP, UL94V-0 RATED, COLOR WHITE.
 CONTACT: PHOSPHOR BRONZE.
 PLATING: GOLD PLATING OVER NICKEL ON CONTACT AREA;
 TIN PLATING ON SOLDER TAIL.
 BUTTRESS: STAINLESS STEEL.
 STATOR: STAINLESS STEEL.

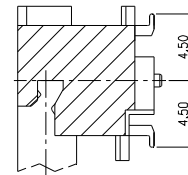
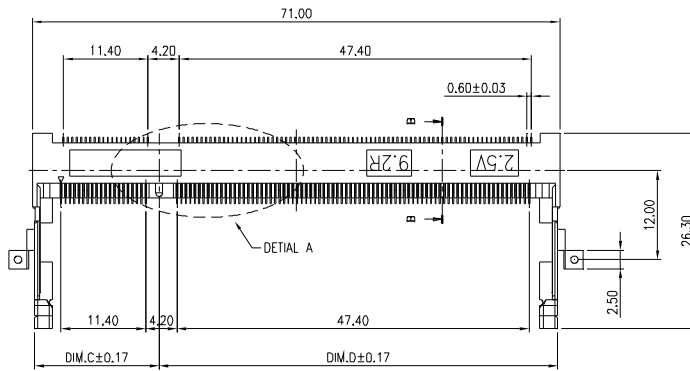
ELECTRICAL SPECIFICATION
 OPERATION VOLTAGE: 25V AC MAX.
 CURRENT RATING: 0.3 AMPERE PER CONTACT.
 INSULATION RESISTANCE: 250 MΩ MIN.
 CONTACT RESISTANCE: 30 mΩ MAX. INITIAL 20mΩ MAX.
 INCREASE THROUGH TESTING.
 DIELECTRIC WITHSTANDING VOLTAGE: 250 V AC.
 OPERATING TEMPERATURE: -40° C~ +85° C

SODM	005	B	Rt	200	GX	R	2	L
S.O.DIMM CONNECTOR	SERIES NO.	PCB TYPE Rt: RIGHT ANGLE SURFACE MOUNT TYPE	PLASTIC HEIGHT OPTION B: DIM.X=5.20 mm	NO. OF CONTACTS	CONTACT PLATING OPTION Gt: GOLD FLASH ON CONTACT, TIN PLATED ON SOLDER TAIL G10t: 10u" COLD ON CONTACT, TIN PLATED ON SOLDER TAIL G15t: 15u" COLD ON CONTACT, TIN PLATED ON SOLDER TAIL G30t: 30u" COLD ON CONTACT, TIN PLATED ON SOLDER TAIL	REVERSE TYPE	VOLTAGE KEY 2: 2.5V DRAM	INSULATOR MATERIAL L: LCP

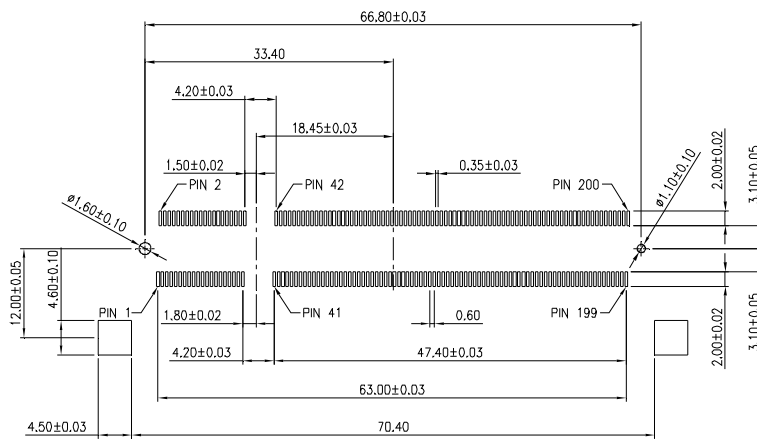
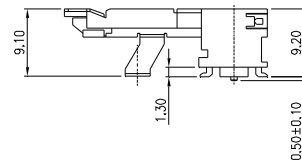
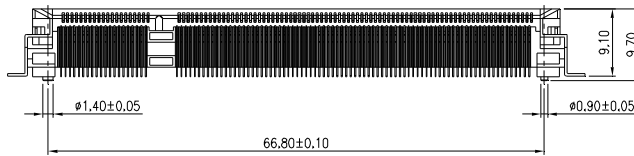
NOTE : SOME SIZES, STYLES AND OPTION ARE NON-STANDARD, NON-CANCELLABLE, NON-RETURNABLE

S.O.DIMM CONNECTOR - RIGHT ANGLE SURFACE MOUNT TYPE - Rt

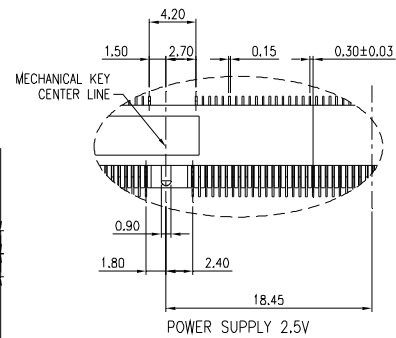
	DIM.C	DIM.D
1.8V	17.67	52.77
2.5V	16.77	53.67



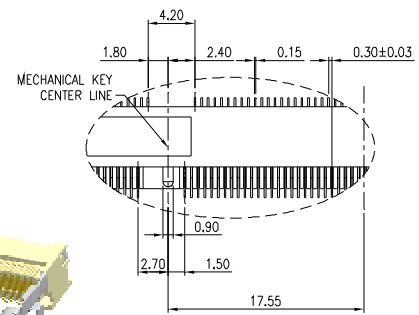
SECTION:B-B
SCALE:2/1



P.C.B. LAYOUT



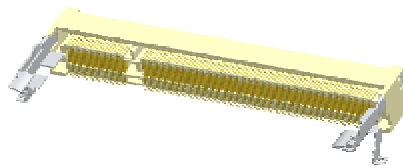
POWER SUPPLY 2.5V



POWER SUPPLY 1.8V
DETAIL A VOLTAGE OPTION

MATERIAL
HOUSING: LCP WITH 30% G.F. UL94V-0, COLOR IVORY.
CONTACT: BRASS.
LATCH: STAINLESS STEEL.

FINISH
CONTACT: GOLD PLATED ON CONTACT & SOLDERING END OVER 50u" MIN. NICKEL UNDER-PLATING.
LATCH: 60-100u" SN ONLY (MATTE) PLATING OVER 50u" MIN. NICKEL UNDERPLATING.



SODM	006	Rt	200	GX	R	X
S.O.DIMM CONNECTOR	SERIES NO.	PCB TYPE Rt: RIGHT ANGLE SURFACE MOUNT TYPE	NO. OF CONTACTS	CONTACT PLATING OPTION Gft: GOLD FLASH ON CONTACT, TIN PLATED ON SOLDER TAIL G10t: 10u" GOLD ON CONTACT, TIN PLATED ON SOLDER TAIL G15t: 15u" GOLD ON CONTACT, TIN PLATED ON SOLDER TAIL G30t: 30u" GOLD ON CONTACT, TIN PLATED ON SOLDER TAIL	REVERSE TYPE	VOLTAGE KEY 1: 1.8V DRAM 2: 2.5V DRAM

NOTE : SOME SIZES, STYLES AND OPTION ARE NON-STANDARD, NON-CANCELLABLE, NON-RETURNABLE