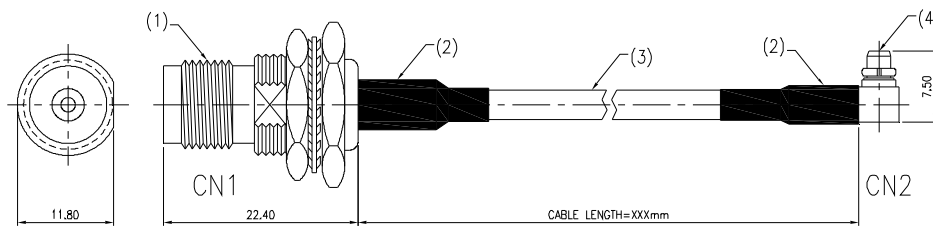


COAXIAL CABLE 1

CABLE ASSEMBLY COAXIAL CABLE - TNC JACK 1-FLAT TO MMCX R/A PLUG



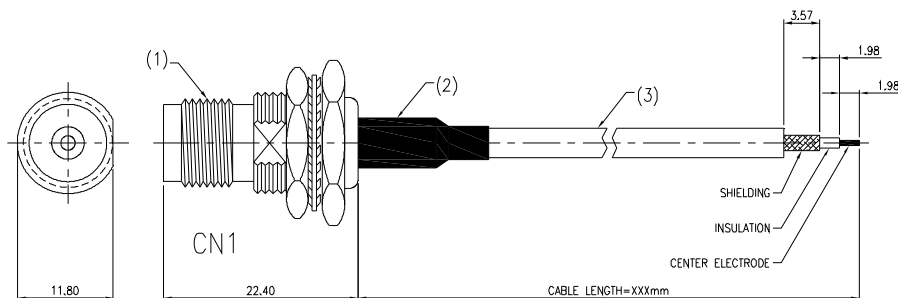
4	R/A MMCX MALE PLUG	1	BRASS
3	*COAXIAL CABLE RG-178/U	1	TEFLON
2	HEAT SHRINKING SLEEVE	2	PVC
1	TNC FEMALE JACK 1-FLAT BLK	1	BRASS
ITEM	DESCRIPTION	Q'TY	MATERIAL

REMARK: *REFER TO CUSTOMER WORK SHEET ON PAGE 76 FOR DIFFERENT CABLES.



CA	710	XXX	FF	178	MM	61
CABLE ASSEMBLY	SERIES NO. CN1 CONNECTOR TYPE 10: TNC JACK 1-FLAT	CABLE LENGTH XXX: XXXmm	CN1 CONTACT TYPE FF: FEMALE HEAD, FEMALE PIN	CABLE TYPE 178: RG-178U CABLE	CN2 CONTACT TYPE MM: MALE HEAD, MALE PIN	CN2 CONNECTOR TYPE 61: MMCX R/A PLUG

CABLE ASSEMBLY COAXIAL CABLE - TNC JACK 1-FLAT, STRIPPED END



3	*COAXIAL CABLE RG-178/U	1	TEFLON
2	HEAT SHRINKING SLEEVE	1	PVC
1	TNC FEMALE JACK 1-FLAT BLK	1	BRASS
ITEM	DESCRIPTION	Q'TY	MATERIAL

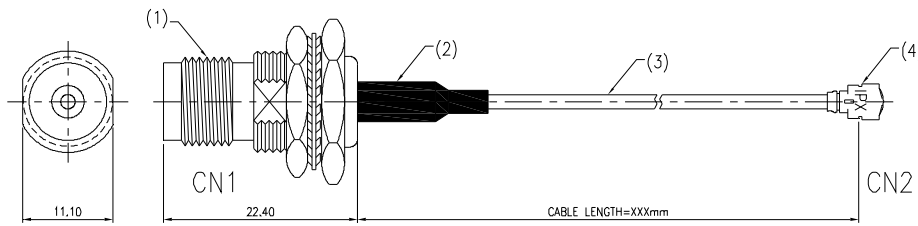
REMARK: *REFER TO CUSTOMER WORK SHEET ON PAGE 76 FOR DIFFERENT CABLES.



CA	710	XXX	FF	178	S1.98
CABLE ASSEMBLY	SERIES NO. CN1 CONNECTOR TYPE 10: TNC JACK 1-FLAT	CABLE LENGTH XXX: XXXmm	CN1 CONTACT TYPE FF: FEMALE HEAD, FEMALE PIN	CABLE TYPE 178: RG-178U CABLE	STRIPPED END 1.98mm

NOTE : SOME SIZES, STYLES AND OPTION ARE NON-STANDARD, NON-CANCELLABLE, NON-RETURNABLE

CABLE ASSEMBLY COAXIAL CABLE - TNC JACK 2-FLAT TO I-PEX PLUG



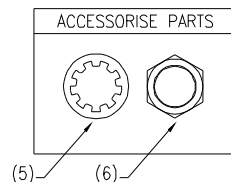
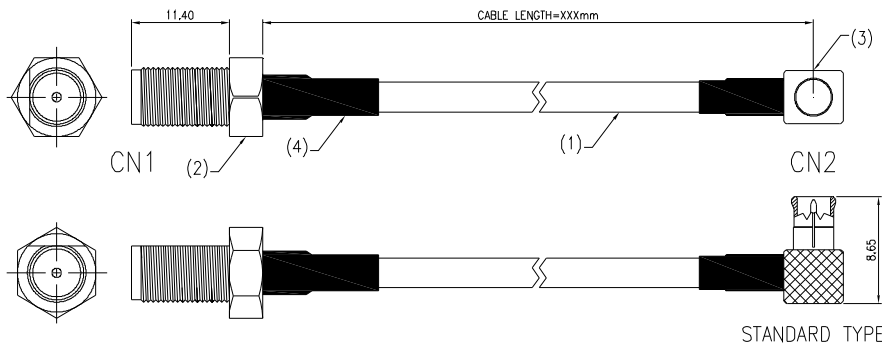
4	I-PEX MHF MALE PLUG	1	BRASS
3	*COAXIAL CABLE ϕ 1,37mm	1	TEFLON
2	HEAT SHRINKING SLEEVE	1	PVC
1	TNC FEMALE JACK 2-FLAT BLK	1	BRASS
ITEM	DESCRIPTION	Q'TY	MATERIAL

REMARK: *REFER TO CUSTOMER WORK SHEET ON PAGE 76 FOR DIFFERENT CABLES.



CA	711	XXX	FF	137	X	I
CABLE ASSEMBLY	SERIES NO. CN1 CONNECTOR TYPE 11: TNC JACK 2-FLAT	CABLE LENGTH XXX: XXXmm	CN1 CONTACT TYPE FF: FEMALE HEAD, FEMALE PIN	CABLE TYPE 137: 1.37mm CABLE	CABLE COLOR BLANK: BLACK W: WHITE B: BLUE	I-PEX PLUG

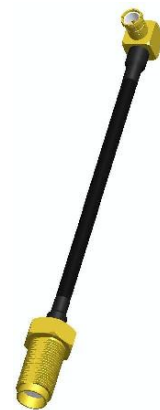
CABLE ASSEMBLY COAXIAL CABLE - SMA JACK TO MCX R/A PLUG



6	NUT	1	BRASS GOLD PLATED
5	TOOTH WASHER	1	BRASS GOLD PLATED
4	SHRINK TUBE ϕ 3.5 BLACK	2	
3	R/A MCX PLUG	1	BRASS GOLD PLATED
2	SMA JACK (11.4mm) BLK	1	BRASS GOLD PLATED
1	*COAXIAL CABLE RG-174/U BLACK	1	
NO	DESCRIPTION	Q'TY	MATERIAL

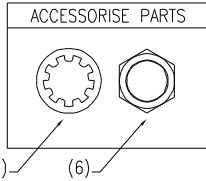
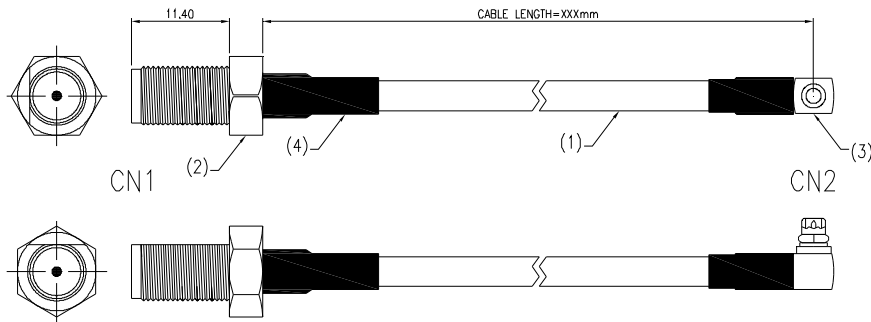
REMARK: *REFER TO CUSTOMER WORK SHEET ON PAGE 76 FOR DIFFERENT CABLES.

CA	720	XXX	FF	174	MM	50	X
CABLE ASSEMBLY	SERIES NO. CN1 CONNECTOR TYPE 20: SMA JACK	CABLE LENGTH XXX: XXXmm	CN1 CONTACT TYPE FF: FEMALE HEAD, FEMALE PIN	CABLE TYPE 174: RG-174U CABLE	CN2 CONTACT TYPE MM: MALE HEAD, MALE PIN	CN2 CONNECTOR TYPE 50: MCX R/A PLUG	DIRECTION OPTION BLANK: STANDARD TYPE R: REVERSE TYPE



NOTE : SOME SIZES, STYLES AND OPTION ARE NON-STANDARD, NON-CANCELLABLE, NON-RETURNABLE

CABLE ASSEMBLY COAXIAL CABLE - RP SMA JACK TO MMCX R/A PLUG



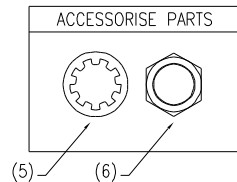
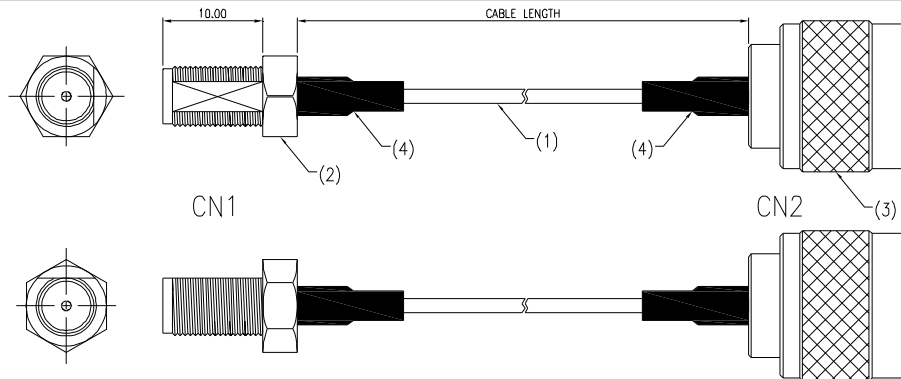
6	NUT	1	BRASS GOLD PLATED
5	TOOTH WASHER	1	BRASS GOLD PLATED
4	SHRINK TUBE ϕ 3.5 BLACK	2	
3	MMCX R/A PLUG	1	BRASS GOLD PLATED
2	RP SMA JACK (11.4mm) BLK	1	BRASS GOLD PLATED
1	*COAXIAL CABLE RG-316/U	1	
NO	DESCRIPTION	Q'TY	MATERIAL

REMARK: *REFER TO CUSTOMER WORK SHEET ON PAGE 76 FOR DIFFERENT CABLES.



CA	720	XXX	FM	316	MM	61
CABLE ASSEMBLY	SERIES NO. CN1 CONNECTOR TYPE 20: SMA JACK	CABLE LENGTH XXX: XXXmm	CN1 CONTACT TYPE FM: FEMALE HEAD, MALE PIN	CABLE TYPE 316: RG-316U CABLE	CN2 CONTACT TYPE MM: MALE HEAD, MALE PIN	CN2 CONNECTOR TYPE 61: MMCX R/A PLUG

CABLE ASSEMBLY COAXIAL CABLE - SMA JACK TO N PLUG



6	NUT GOLD PLATED	1	BRASS
5	TOOTH WASHER GOLD PLATED	1	BRASS
4	SHRINK TUBE BLACK	1	
3	N CRIMPING PLUG FOR RG174U	1	
2	SPECIAL SMA JACK (10.00mm)	1	BRASS
1	*COAXIAL CABLE RG174U BLACK	1	
ITEM	DESCRIPTION	Q'TY	MATERIAL

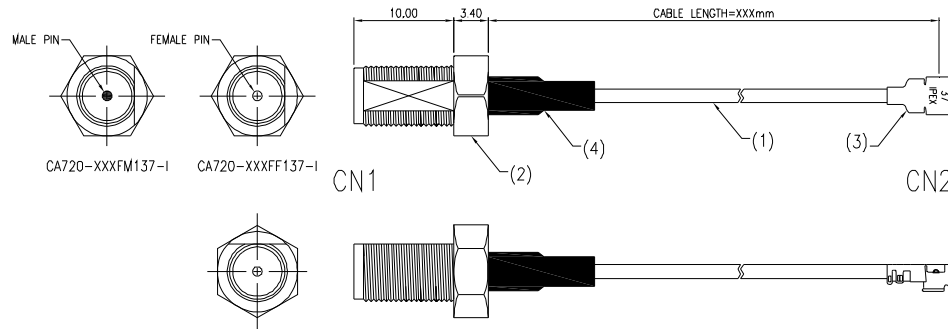
REMARK: *REFER TO CUSTOMER WORK SHEET ON PAGE 76 FOR DIFFERENT CABLES.



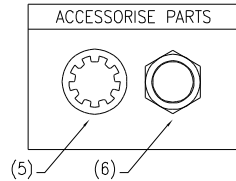
CA	720a	XXX	FF	174	MM	42
CABLE ASSEMBLY	SERIES NO. CN1 CONNECTOR TYPE 20a: SPECIAL SMA JACK	CABLE LENGTH XXX: XXXmm	CN1 CONTACT TYPE FF: FEMALE HEAD, FEMALE PIN	CABLE TYPE 174: RG-174U CABLE	CN2 CONTACT TYPE MM: MALE HEAD, MALE PIN	CN2 CONNECTOR TYPE 42: N PLUG

NOTE : SOME SIZES, STYLES AND OPTION ARE NON-STANDARD, NON-CANCELLABLE, NON-RETURNABLE

CABLE ASSEMBLY COAXIAL CABLE - SPECIAL SMA JACK TO I-PEX PLUG



CA720-XXXFM137-I CA720-XXXFF137-I



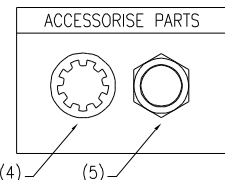
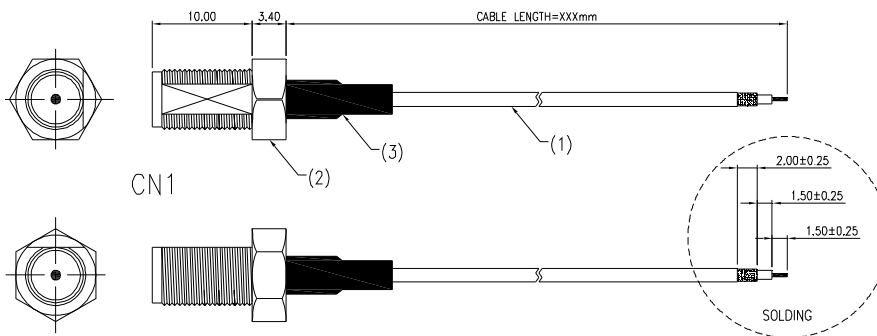
ITEM	DESCRIPTION	Q'TY	MATERIAL
6	NUT	1	BRASS
5	TOOTH WASHER	1	BRASS
4	HEAT SHRINK TUBE	1	
3	I-PEX PLUG	1	BRASS
2	SMA JACK OR RP SMA JACK	1	BRASS
1	*COAXIAL CABLE ϕ 1.37mm	1	

REMARK: *REFER TO CUSTOMER WORK SHEET ON PAGE 76 FOR DIFFERENT CABLES.



CA	720a	XXX	XX	137	X	I
CABLE ASSEMBLY	SERIES NO. CN1 CONNECTOR TYPE 20a: SPECIAL SMA JACK	CABLE LENGTH XXX: XXXmm	CN1 CONTACT TYPE FM: FEMALE HEAD, MALE PIN FF: FEMALE HEAD, FEMALE PIN	CABLE TYPE 137: 1.37mm CABLE	CABLE COLOR BLANK: BLACK W: WHITE	I-PEX PLUG

CABLE ASSEMBLY COAXIAL CABLE - SPECIAL RP SMA JACK, STRIPPED END



ITEM	DESCRIPTION	Q'TY	MATERIAL
5	NUT	1	BRASS
4	TOOTH WASHER	1	BRASS
3	HEAT SHRINK TUBE	1	
2	RP SMA JACK	1	BRASS
1	*COAXIAL CABLE ϕ 1.37mm	1	

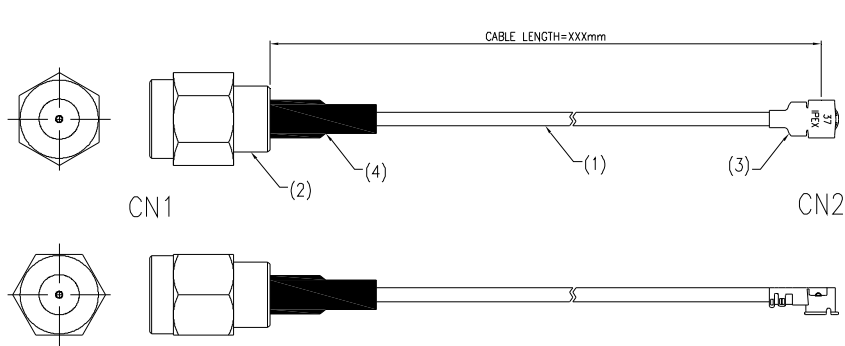
REMARK: *REFER TO CUSTOMER WORK SHEET ON PAGE 76 FOR DIFFERENT CABLES.



CA	720a	XXX	FM	137	X	S1.5
CABLE ASSEMBLY	SERIES NO. CN1 CONNECTOR TYPE 20a: SPECIAL SMA JACK	CABLE LENGTH XXX: XXXmm	CN1 CONTACT TYPE FM: FEMALE HEAD, MALE PIN	CABLE TYPE 137: 1.37mm CABLE	CABLE COLOR BLANK: BLACK W: WHITE	STRIPPED END 1.50mm

NOTE : SOME SIZES, STYLES AND OPTION ARE NON-STANDARD, NON-CANCELLABLE, NON-RETURNABLE

CABLE ASSEMBLY COAXIAL CABLE - RP SMA PLUG TO I-PEX PLUG

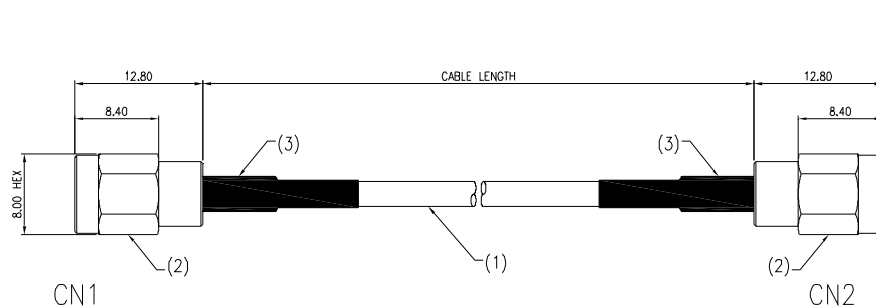


4	HEAT SHRINK TUBE	1	
3	I-PEX PLUG	1	BRASS
2	RP SMA PLUG (CRIMP) GOLD	1	BRASS
1	*COAXIAL CABLE ϕ 1.37mm	1	
ITEM	DESCRIPTION	Q'TY	MATERIAL

REMARK: *REFER TO CUSTOMER WORK SHEET ON PAGE 76 FOR DIFFERENT CABLES.

CA	721	XXX	MF	137	X	I
CABLE ASSEMBLY	SERIES NO. CN1 CONNECTOR TYPE 21: SMA PLUG	CABLE LENGTH XXX: XXXmm	CN1 CONTACT TYPE MF: MALE HEAD, FEMALE PIN	CABLE TYPE 137: 1.37mm CABLE	CABLE COLOR BLANK: BLACK W: WHITE	I-PEX PLUG

CABLE ASSEMBLY COAXIAL CABLE - SMA PLUG TO SMA PLUG



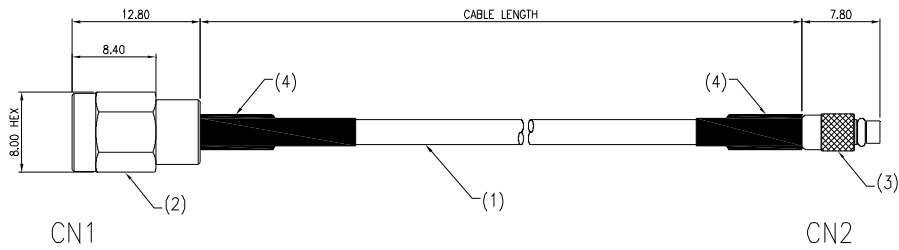
3	HEAT SHRINK TUBE ϕ 3,5 BLACK	2	
2	SMA PLUG GOLD	2	BRASS
1	*COAXIAL CABLE	1	
NO	DESCRIPTION	Q'TY	MATERIAL

REMARK: *REFER TO CUSTOMER WORK SHEET ON PAGE 76 FOR DIFFERENT CABLES.

CA	721	XXX	MM	XXX	MM	21
CABLE ASSEMBLY	SERIES NO. CN1 CONNECTOR TYPE 21: SMA PLUG	CABLE LENGTH XXX: XXXmm	CN1 CONTACT TYPE MM: MALE HEAD, MALE PIN		CN2 CONTACT TYPE MM: MALE HEAD, MALE PIN	CN2 CONNECTOR TYPE 21: SMA PLUG
			CABLE TYPE 316: RG-316U CABLE 402: RG-402U CABLE			

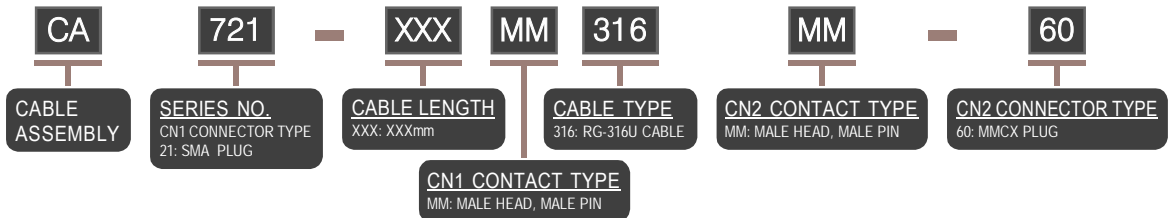
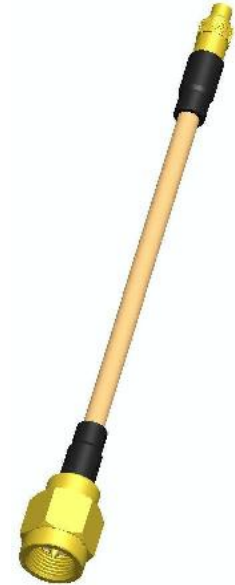
NOTE : SOME SIZES, STYLES AND OPTION ARE NON-STANDARD, NON-CANCELLABLE, NON-RETURNABLE

CABLE ASSEMBLY COAXIAL CABLE - SMA PLUG TO MMCX PLUG

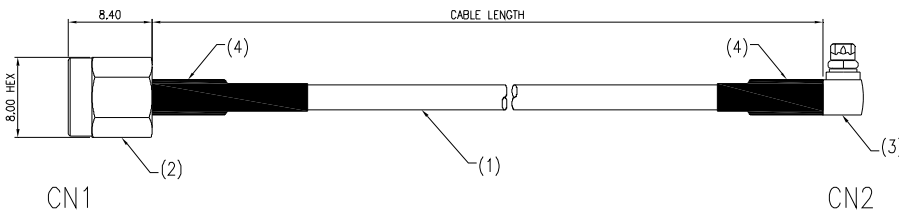


NO	DESCRIPTION	Q'TY	MATERIAL
4	HEAT SHRINK TUBE ϕ 3.5 BLACK	2	
3	MMCX PLUG	1	
2	SMA PLUG FOR RG-316/U GOLD	1	BRASS
1	*COAXIAL CABLE RG-316/U	1	

REMARK: *REFER TO CUSTOMER WORK SHEET ON PAGE 76 FOR DIFFERENT CABLES.

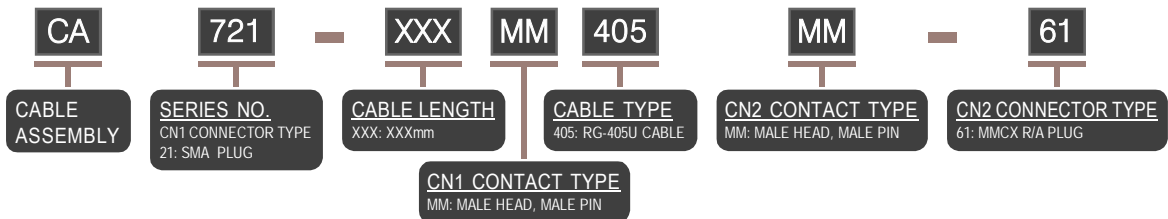


CABLE ASSEMBLY COAXIAL CABLE - SMA PLUG TO MMCX R/A PLUG



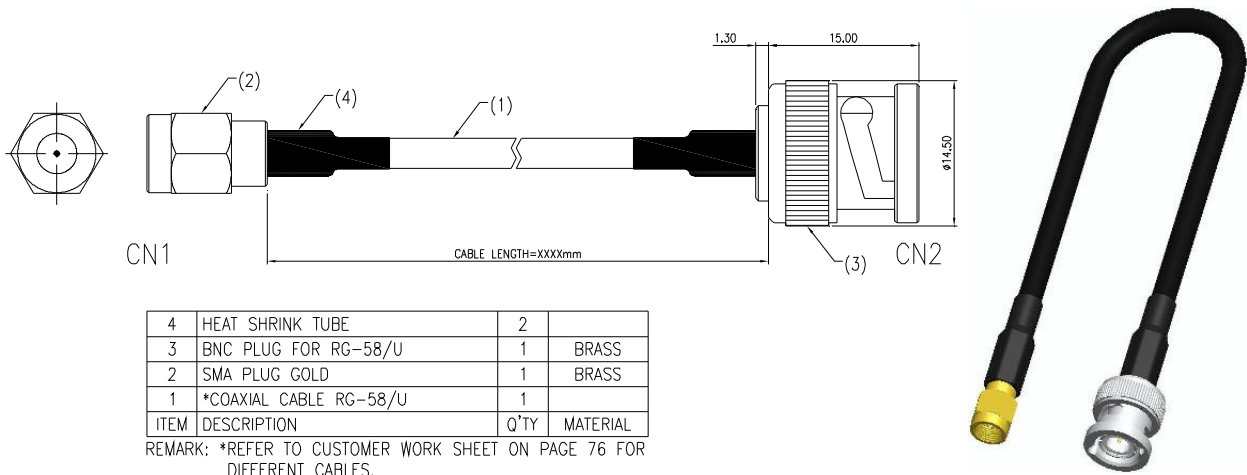
NO	DESCRIPTION	Q'TY	MATERIAL
4	HEAT SHRINK TUBE ϕ 3.5 BLACK	2	
3	MMCX R/A PLUG FOR RG-405/U	1	BRASS GOLD
2	SMA PLUG FOR RG-405/U	1	BRASS GOLD
1	*COAXIAL CABLE RG-405/U	1	

REMARK: *REFER TO CUSTOMER WORK SHEET ON PAGE 76 FOR DIFFERENT CABLES.



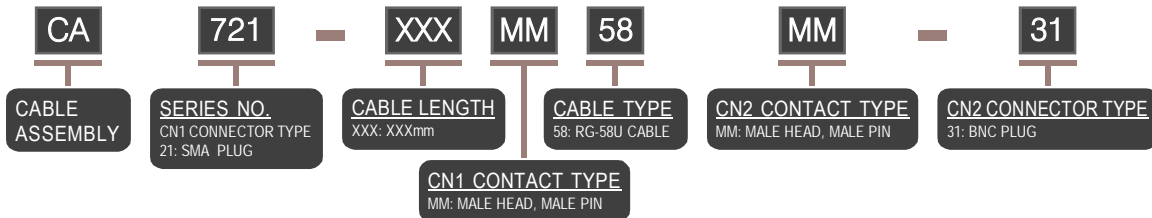
NOTE : SOME SIZES, STYLES AND OPTION ARE NON-STANDARD, NON-CANCELLABLE, NON-RETURNABLE

CABLE ASSEMBLY COAXIAL CABLE - SMA PLUG TO BNC PLUG

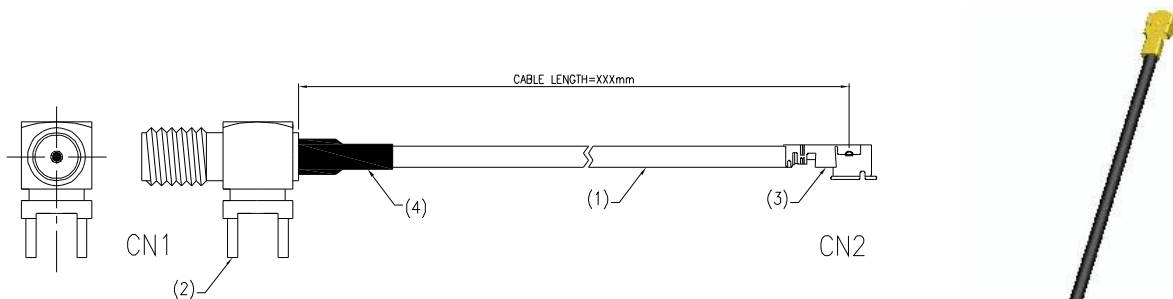


4	HEAT SHRINK TUBE	2	
3	BNC PLUG FOR RG-58/U	1	BRASS
2	SMA PLUG GOLD	1	BRASS
1	*COAXIAL CABLE RG-58/U	1	
ITEM	DESCRIPTION	Q'TY	MATERIAL

REMARK: *REFER TO CUSTOMER WORK SHEET ON PAGE 76 FOR DIFFERENT CABLES.

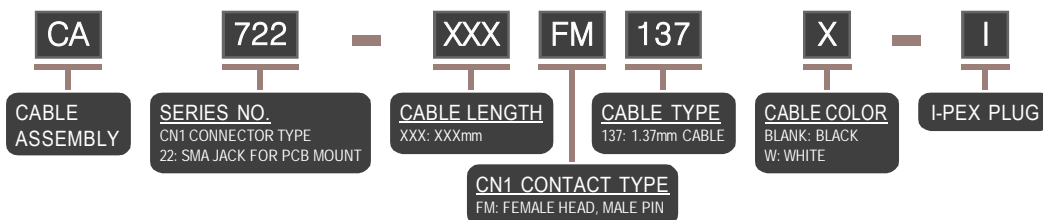


CABLE ASSEMBLY COAXIAL CABLE - RP SMA JACK FOR PCB MOUNT TO I-PEX PLUG



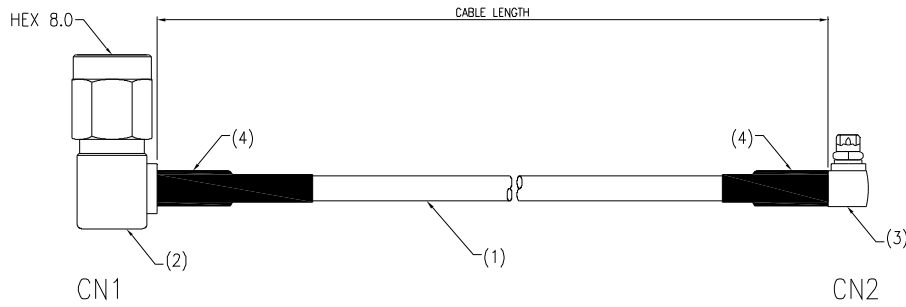
4	SHRINK TUBE ϕ 3,50 BLACK	1	
3	I-PEX PLUG	1	BRASS GOLD PLATED
2	RP SMA JACK FOR PCB MOUNT	1	BRASS GOLD PLATED
1	*COAXIAL CABLE ϕ 1.37mm	1	
NO	DESCRIPTION	Q'TY	MATERIAL

REMARK: *REFER TO CUSTOMER WORK SHEET ON PAGE 76 FOR DIFFERENT CABLES.



NOTE : SOME SIZES, STYLES AND OPTION ARE NON-STANDARD, NON-CANCELLABLE, NON-RETURNABLE

CABLE ASSEMBLY COAXIAL CABLE - R/A SMA PLUG TO MMCX R/A PLUG



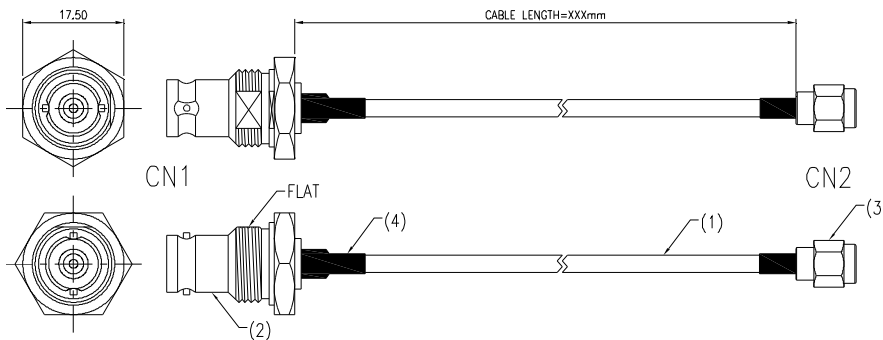
4	HEAT SHRINK TUBE ϕ 3.5 BLACK	2	
3	MMCX R/A PLUG	1	BRASS GOLD
2	SMA R/A PLUG	1	BRASS GOLD
1	*COAXIAL CABLE RG-316/U	1	
NO	DESCRIPTION	Q'TY	MATERIAL

REMARK: *REFER TO CUSTOMER WORK SHEET ON PAGE 76 FOR DIFFERENT CABLES.



CA	723	XXX	MM	316	MM	61
CABLE ASSEMBLY	SERIES NO. CN1 CONNECTOR TYPE 23: R/A SMA PLUG	CABLE LENGTH XXX: XXXmm	CN1 CONTACT TYPE MM: MALE HEAD, MALE PIN	CABLE TYPE 316: RG-316U CABLE	CN2 CONTACT TYPE MM: MALE HEAD, MALE PIN	CN2 CONNECTOR TYPE 61: MMCX R/A PLUG

CABLE ASSEMBLY COAXIAL CABLE - BNC JACK TO SMA PLUG



ACCESSORISE PARTS			
7	GASKET		RUBBER
6	TOOTH WASHER	1	BRASS GOLD PLATED
5	NUT	1	BRASS GOLD PLATED
4	SHRINK TUBE ϕ 4 BLACK	2	
3	SMA PLUG	1	BRASS GOLD PLATED
2	BNC JACK BLK	1	BRASS NICKEL PLATED
1	*COAXIAL CABLE RG-316/U	1	
NO	DESCRIPTION	Q'TY	MATERIAL

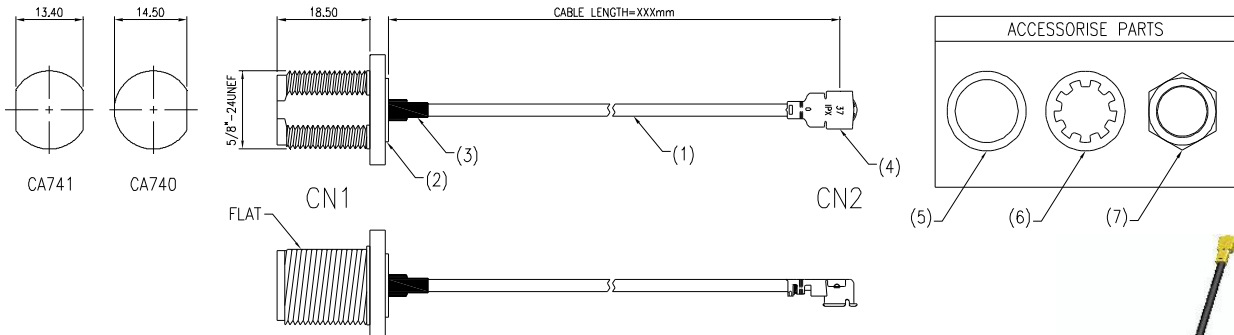
REMARK: *REFER TO CUSTOMER WORK SHEET ON PAGE 76 FOR DIFFERENT CABLES.



CA	730	XXX	FF	316	MM	21
CABLE ASSEMBLY	SERIES NO. CN1 CONNECTOR TYPE 30: BNC JACK	CABLE LENGTH XXX: XXXmm	CN1 CONTACT TYPE FF: FEMALE HEAD, FEMALE PIN	CABLE TYPE 316: RG-316U CABLE	CN2 CONTACT TYPE MM: MALE HEAD, MALE PIN	CN2 CONNECTOR TYPE 21: SMA PLUG

NOTE : SOME SIZES, STYLES AND OPTION ARE NON-STANDARD, NON-CANCELLABLE, NON-RETURNABLE

CABLE ASSEMBLY COAXIAL CABLE - N JACK TO I-PEX PLUG

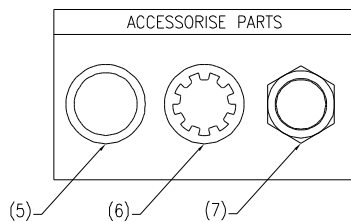
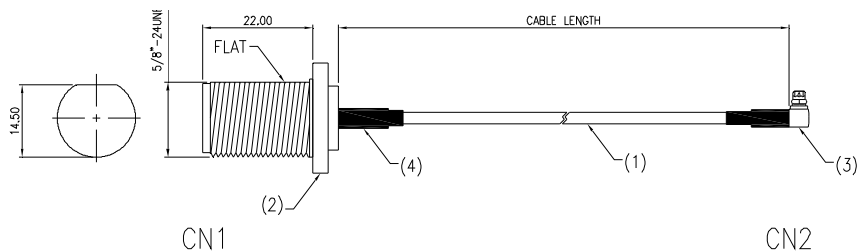


7	NUT	1	BRASS NICKEL
6	WASHER	1	BRASS NICKEL
5	GASKET	1	S.L.RUBBER
4	MHF I-PEX PLUG	1	BRASS GOLD
3	HEAT SHRINK TUBE	1	
2	N JACK BULK HEAD	1	BRASS NICKEL
1	*COAXIAL CABLE ϕ 1.37mm	1	
ITEM	DESCRIPTION	Q'TY	MATERIAL

REMARK: *REFER TO CUSTOMER WORK SHEET ON PAGE 76 FOR DIFFERENT CABLES.

CA	7XXX	XXX	FF	137	X	I
CABLE ASSEMBLY	SERIES NO. CN1 CONNECTOR TYPE 40: N JACK 1-FLAT 18.50mm BLK 40a: N JACK 1-FLAT 22.00mm BLK 41: N JACK 2-FLAT 18.50mm BLK 41a: N JACK 2-FLAT 22.00mm BLK	CABLE LENGTH XXX: XXXmm	CN1 CONTACT TYPE FF: FEMALE HEAD, FEMALE PIN	CABLE TYPE 137: 1.37mm CABLE	CABLE COLOR BLANK: BLACK W: WHITE	I-PEX PLUG

CABLE ASSEMBLY COAXIAL CABLE - N JACK 1-FLAT BLK TO MMCX R/A PLUG



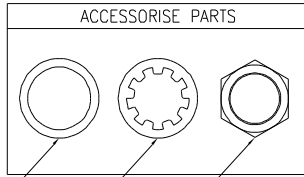
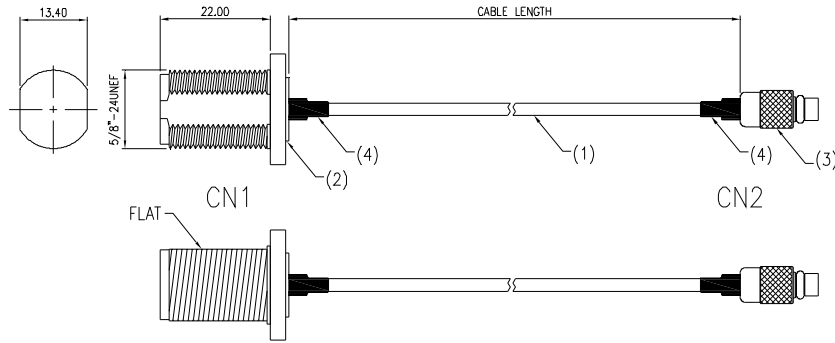
7	NUT	1	BRASS
6	TOOTH WASHER	1	BRASS
5	GASKET	1	S.L.RUBBER
4	SHRINK TUBE ϕ 3.50 BLACK	1	
3	MMCX R/A PLUG	1	BRASS GOLD
2	N JACK 1-FLAT 22mm BLK	1	BRASS NICKEL
1	*COAXIAL CABLE	1	
NO	DESCRIPTION	Q'TY	MATERIAL

REMARK: *REFER TO CUSTOMER WORK SHEET ON PAGE 76 FOR DIFFERENT CABLES.

CA	740a	XXX	FF	XXX	MM	61
CABLE ASSEMBLY	SERIES NO. CN1 CONNECTOR TYPE 40a: N JACK 1-FLAT 22.00mm	CABLE LENGTH XXX: XXXmm	CN1 CONTACT TYPE FF: FEMALE HEAD, FEMALE PIN	CABLE TYPE 316: RG-316U CABLE 405: RG-405U CABLE	CN2 CONTACT TYPE MM: MALE HEAD, MALE PIN	CN2 CONNECTOR TYPE 61: MMCX R/A PLUG

NOTE : SOME SIZES, STYLES AND OPTION ARE NON-STANDARD, NON-CANCELLABLE, NON-RETURNABLE

CABLE ASSEMBLY COAXIAL CABLE - N JACK 2-FLAT BLK TO MMCX PLUG

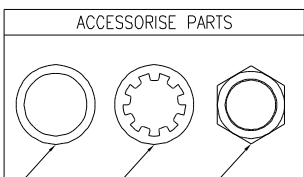
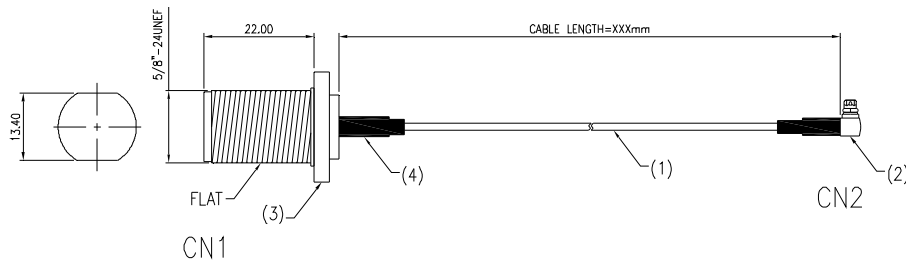


7	NUT	1	BRASS NICKEL
6	WASHER	1	BRASS NICKEL
5	GASKET	1	S.L.RUBBER
4	SHRINK TUBE ϕ 3.50 BLACK	1	
3	MMCX PLUG	1	BRASS GOLD
2	N JACK 2-FLAT 22.0mm BLK	1	BRASS NICKEL
1	*COAXIAL CABLE RG-316/U	1	
ITEM	DESCRIPTION	Q'TY	MATERIAL

REMARK: *REFER TO CUSTOMER WORK SHEET ON PAGE 76 FOR DIFFERENT CABLES.

CA	741a	XXX	FF	316	MM	60
CABLE ASSEMBLY	SERIES NO. CN1 CONNECTOR TYPE 41a: N JACK 2-FLAT 22.00mm	CABLE LENGTH XXX: XXXmm	CN1 CONTACT TYPE FF: FEMALE HEAD, FEMALE PIN	CABLE TYPE 316: RG-316U CABLE	CN2 CONTACT TYPE MM: MALE HEAD, MALE PIN	CN2 CONNECTOR TYPE 61: MMCX R/A PLUG

CABLE ASSEMBLY COAXIAL CABLE - N JACK 2-FLAT BLK TO MMCX R/A PLUG



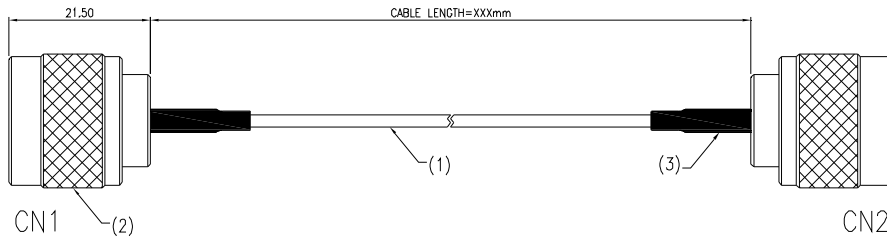
7	NUT	1	BRASS
6	TOOTH WASHER	1	BRASS
5	GASKET	1	S.L.RUBBER
4	SHRINK TUBE ϕ 3-3.5 BLACK	2	
3	N JACK 2-FLAT 22mm BLK	1	BRASS NICKEL
2	MMCX R/A PLUG OR RP MMCX R/A PLUG	1	BRASS
1	*COAXIAL CABLE ϕ 1.37mm	1	
NO	DESCRIPTION	Q'TY	MATERIAL

REMARK: *REFER TO CUSTOMER WORK SHEET ON PAGE 76 FOR DIFFERENT CABLES.

CA	741a	XXX	FF	137	X	XX	61
CABLE ASSEMBLY	SERIES NO. CN1 CONNECTOR TYPE 41a: N JACK 2-FLAT 22.00mm	CABLE LENGTH XXX: XXXmm	CN1 CONTACT TYPE FF: FEMALE HEAD, FEMALE PIN	CABLE TYPE 137: 1.37mm CABLE	CABLE COLOR BLANK: BLACK W: WHITE	CN2 CONTACT TYPE MM: MALE HEAD, MALE PIN MF: MALE HEAD, FEMALE PIN	CN2 CONNECTOR TYPE 61: MMCX R/A PLUG

NOTE : SOME SIZES, STYLES AND OPTION ARE NON-STANDARD, NON-CANCELLABLE, NON-RETURNABLE

CABLE ASSEMBLY COAXIAL CABLE - N PLUG TO N PLUG

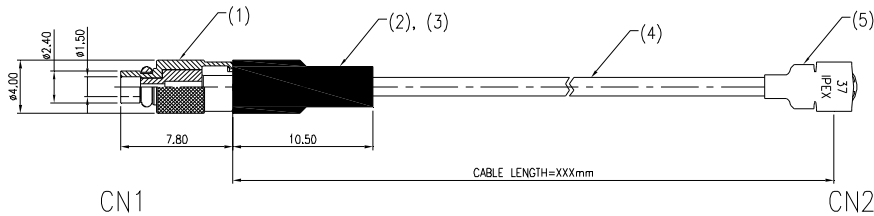


3	HEAT SHRINKING SLEEVE	2
2	N CRIMPING PLUG	2
1	*COAXIAL CABLE RG-316/U	1
ITEM	DESCRIPTION	Q'TY

REMARK: *REFER TO CUSTOMER WORK SHEET ON PAGE 76 FOR DIFFERENT CABLES.

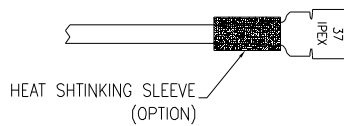
CA	742	XXX	MM	316	MM	42
CABLE ASSEMBLY	SERIES NO. CN1 CONNECTOR TYPE 42: N PLUG	CABLE LENGTH XXX: XXXmm	CN1 CONTACT TYPE MM: MALE HEAD, MALE PIN	CABLE TYPE 316: RG-316U CABLE	CN2 CONTACT TYPE MM: MALE HEAD, MALE PIN	CN2 CONNECTOR TYPE 42: N PLUG

CABLE ASSEMBLY COAXIAL CABLE - MMCX PLUG TO I-PEX PLUG



5	I-PEX MHF MALE PLUG	1	BeCu
4	*COAXIAL CABLE ϕ 1.37mm	1	FPE
3	TUBING	1	BRASS
2	HEAT SHRINKING SLEEVE	1	PVC
1	MMCX PLUG CRIMP TYPE	1	BeCu
ITEM	DESCRIPTION	Q'TY	MATERIAL

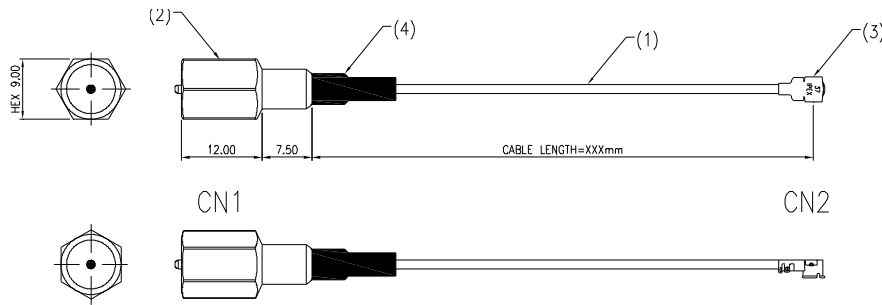
REMARK: *REFER TO CUSTOMER WORK SHEET ON PAGE 76 FOR DIFFERENT CABLES.



CA	760	XXX	MM	137	X	I	X
CABLE ASSEMBLY	SERIES NO. CN1 CONNECTOR TYPE 60: MMCX PLUG	CABLE LENGTH XXX: XXXmm	CN1 CONTACT TYPE MM: MALE HEAD, MALE PIN	CABLE TYPE 137: 1.37mm CABLE	CABLE COLOR BLANK: BLACK W: WHITE	I-PEX PLUG	SHRINKING SLEEVE OPTION BLANK: I-PEX WITHOUT SHRINKING SLEEVE S: I-PEX WITH SHRINKING SLEEVE

NOTE : SOME SIZES, STYLES AND OPTION ARE NON-STANDARD, NON-CANCELLABLE, NON-RETURNABLE

CABLE ASSEMBLY COAXIAL CABLE - MMCX PLUG TO I-PEX PLUG



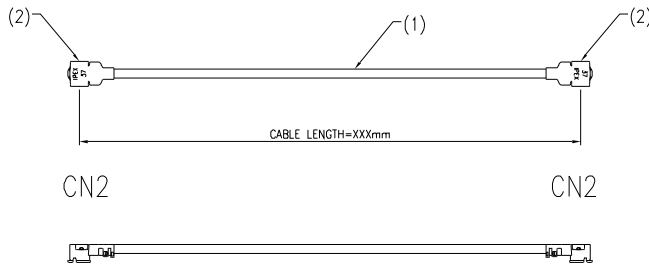
4	SHRINK TUBE ϕ 3.00-3.50 BLACK	1	
3	I-PEX PLUG	1	BRASS
2	FME PLUG STR. NICKEL L27mm	1	BRASS
1	*COAXIAL CABLE ϕ 1.37mm	1	
ITEM	DESCRIPTION	Q'TY	MATERIAL

REMARK: *REFER TO CUSTOMER WORK SHEET ON PAGE 76 FOR DIFFERENT CABLES.



CA	770	XXX	MM	137	X	I
CABLE ASSEMBLY	SERIES NO. CN1 CONNECTOR TYPE 70: FME PLUG	CABLE LENGTH XXX: XXXmm	CN1 CONTACT TYPE MM: MALE HEAD, MALE PIN	CABLE TYPE 137: 1.37mm CABLE	CABLE COLOR BLANK: BLACK W: WHITE	I-PEX PLUG

CABLE ASSEMBLY COAXIAL CABLE - I-PEX PLUG TO I-PEX PLUG



2	I-PEX PLUG	1	BRASS
1	*COAXIAL CABLE ϕ 1.37mm	1	
ITEM	DESCRIPTION	Q'TY	MATERIAL

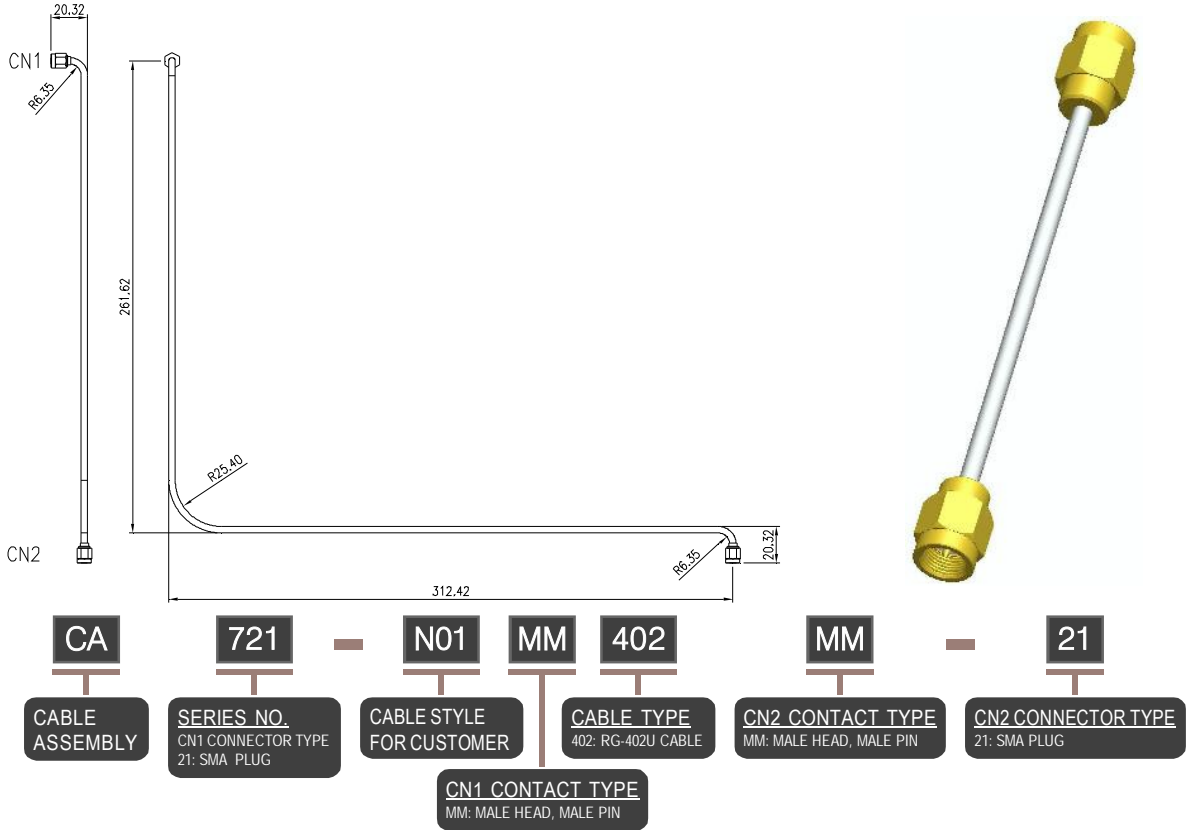
REMARK: *REFER TO CUSTOMER WORK SHEET ON PAGE 76 FOR DIFFERENT CABLES.



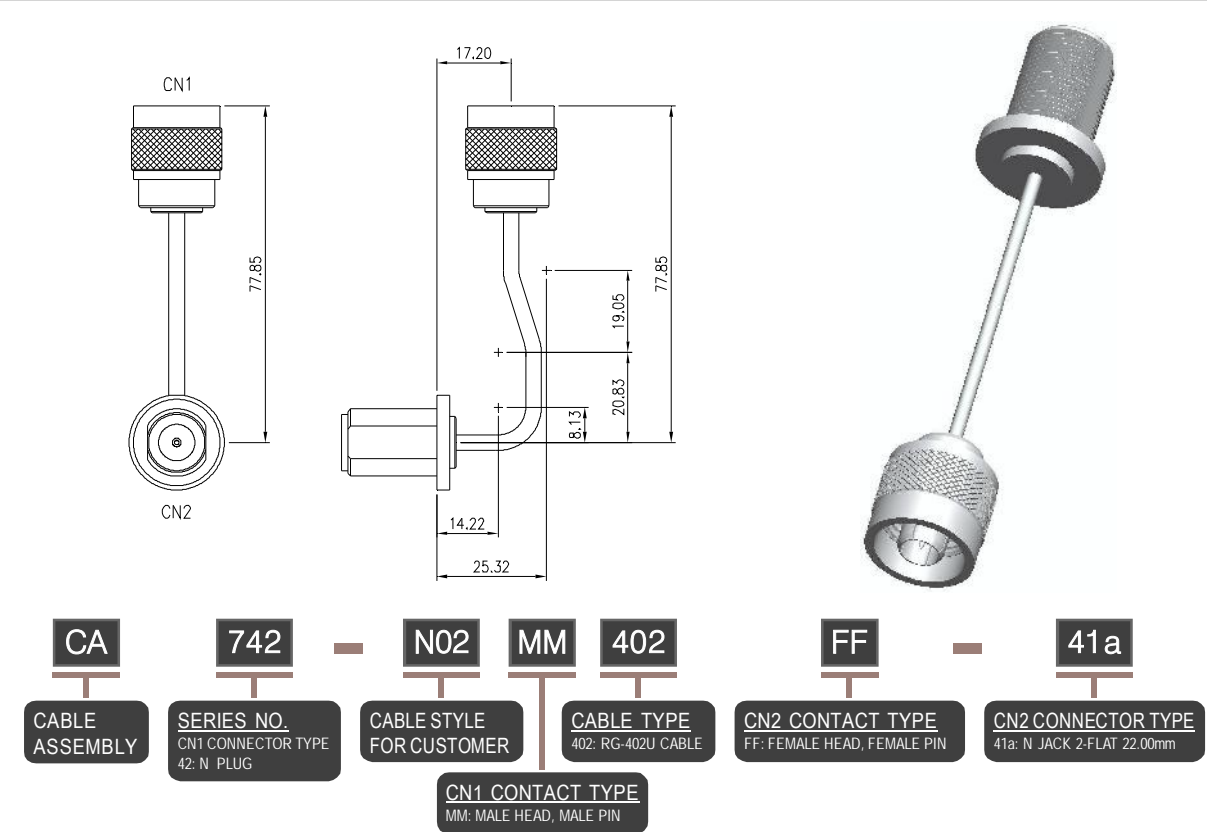
CA	700	XXX	137	X	I
CABLE ASSEMBLY	SERIES NO.	CABLE LENGTH XXX: XXXmm	CABLE TYPE 137: 1.37mm CABLE	CABLE COLOR BLANK: BLACK W: WHITE	I-PEX PLUG

NOTE : SOME SIZES, STYLES AND OPTION ARE NON-STANDARD, NON-CANCELLABLE, NON-RETURNABLE

CABLE ASSEMBLY COAXIAL CABLE - SEMI-RIGID CABLE

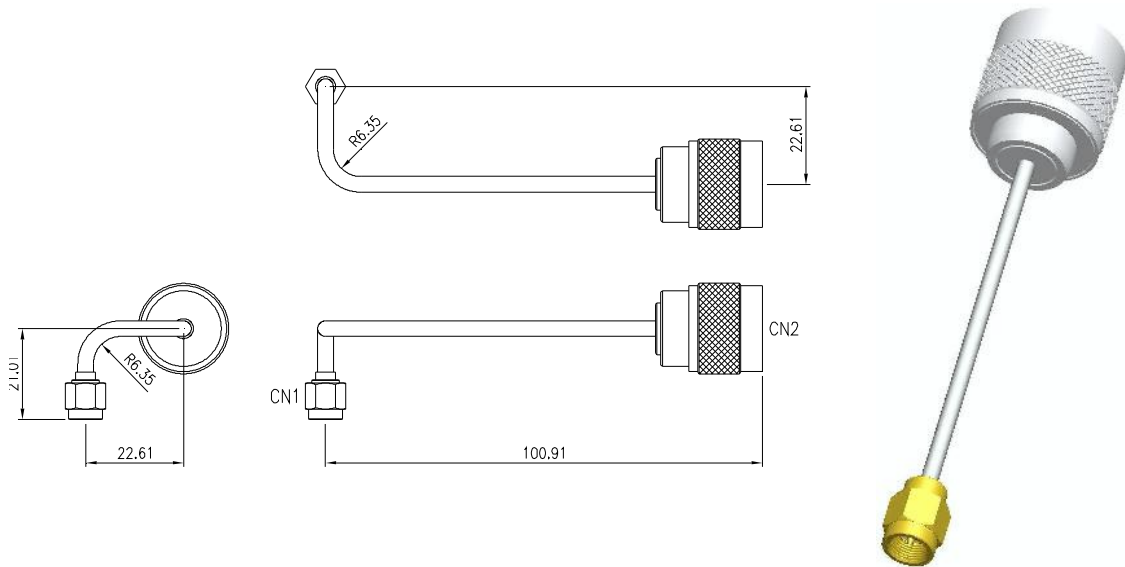


CABLE ASSEMBLY COAXIAL CABLE - SEMI-RIGID CABLE



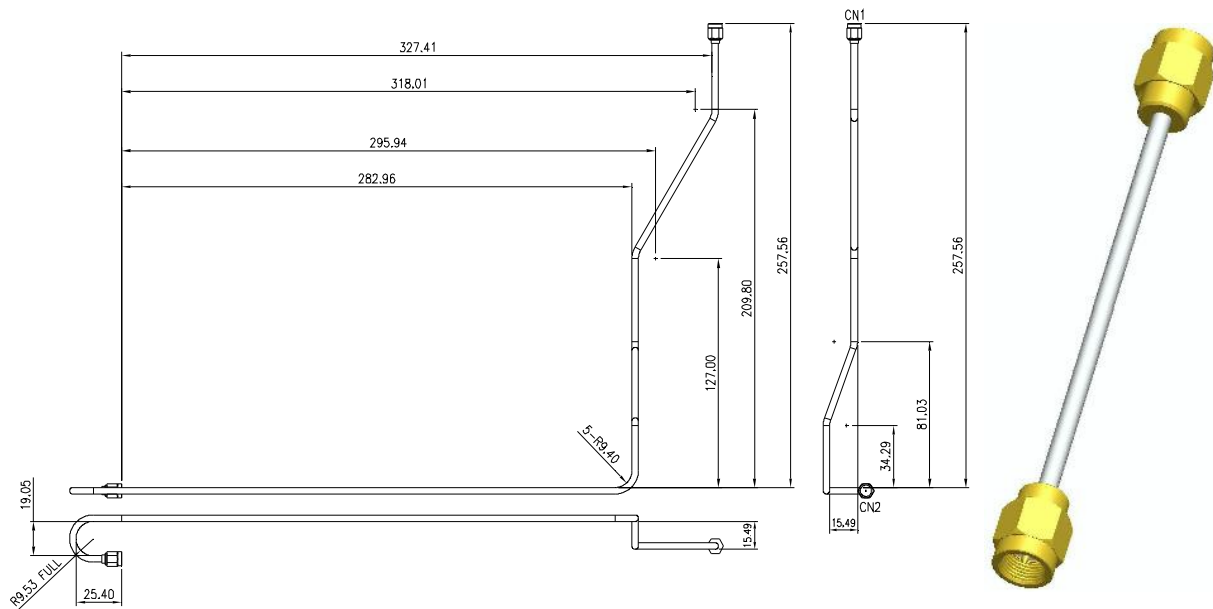
NOTE : SOME SIZES, STYLES AND OPTION ARE NON-STANDARD, NON-CANCELLABLE, NON-RETURNABLE

CABLE ASSEMBLY COAXIAL CABLE - SEMI-RIGID CABLE



CA	721	N03	MM	402	MM	42
CABLE ASSEMBLY	SERIES NO. CN1 CONNECTOR TYPE 21: SMA PLUG	CABLE STYLE FOR CUSTOMER	CN1 CONTACT TYPE MM: MALE HEAD, MALE PIN	CABLE TYPE 402: RG-402U CABLE	CN2 CONTACT TYPE MM: MALE HEAD, MALE PIN	CN2 CONNECTOR TYPE 42: N PLUG

CABLE ASSEMBLY COAXIAL CABLE - SEMI-RIGID CABLE



CA	721	N04	MM	402	MM	21
CABLE ASSEMBLY	SERIES NO. CN1 CONNECTOR TYPE 21: SMA PLUG	CABLE STYLE FOR CUSTOMER	CN1 CONTACT TYPE MM: MALE HEAD, MALE PIN	CABLE TYPE 402: RG-402U CABLE	CN2 CONTACT TYPE MM: MALE HEAD, MALE PIN	CN2 CONNECTOR TYPE 21: SMA PLUG

NOTE : SOME SIZES, STYLES AND OPTION ARE NON-STANDARD, NON-CANCELLABLE, NON-RETURNABLE