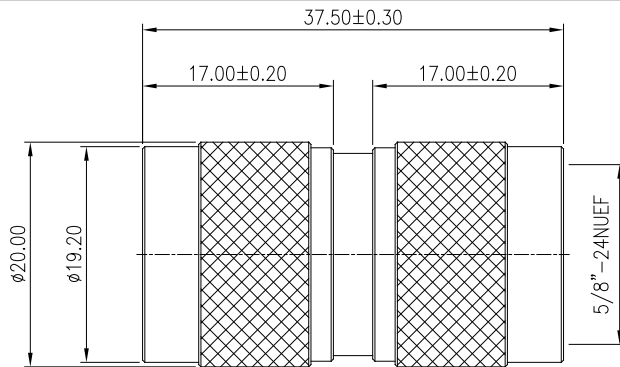


**COAXIAL  
ADAPTER & TERMINATOR**

---

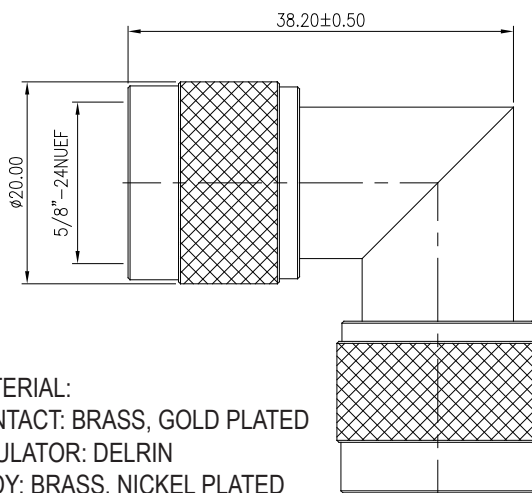
# RF ADAPTER

## MODEL NAME RFA001-NPNP-00 (N PLUG TO N PLUG)



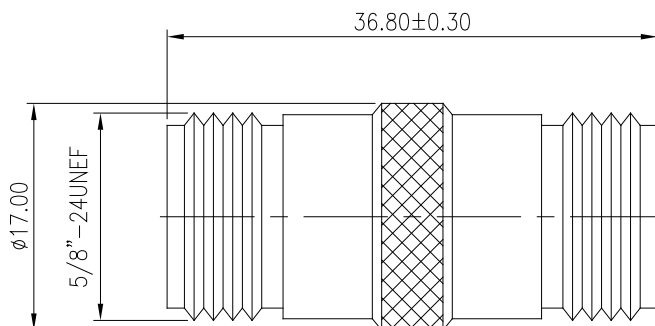
MATERIAL:  
 CONTACT: BRASS, NICKEL PLATED  
 INSULATOR: DELRIN  
 BODY: BRASS, NICKEL PLATED

## MODEL NAME RFA002-NPNP-10 (N PLUG TO N PLUG)



MATERIAL:  
 CONTACT: BRASS, GOLD PLATED  
 INSULATOR: DELRIN  
 BODY: BRASS, NICKEL PLATED

## MODEL NAME RFA003-NJNJ-00 (N JACK TO N JACK)

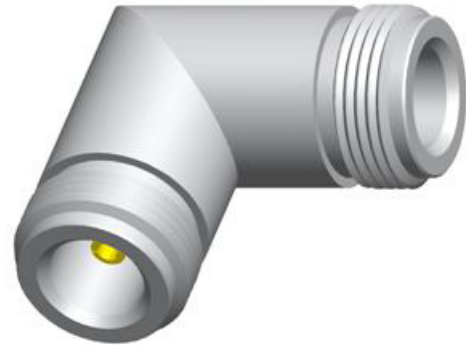
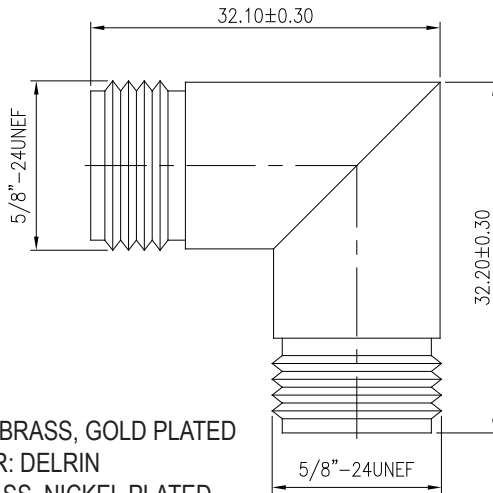


MATERIAL:  
 CONTACT: BRASS, NICKEL PLATED  
 INSULATOR: DELRIN  
 BODY: BRASS, NICKEL PLATED

**NOTE:** SOME SIZES, STYLES AND OPTIONS ARE NON-STANDARD, NON-CANCELLABLE AND NON-RETURNABLE.

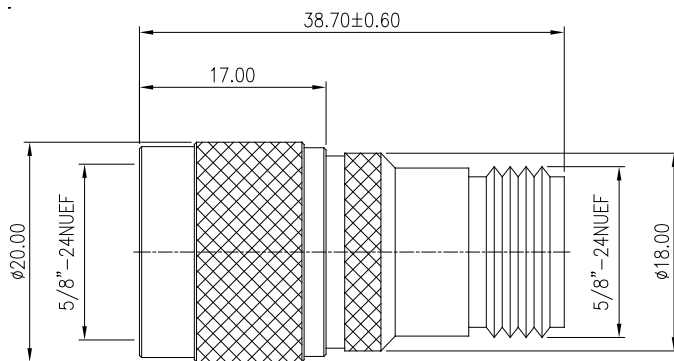
# RF ADAPTER

## MODEL NAME RFA004-NJNJ-10 (N JACK TO N JACK)



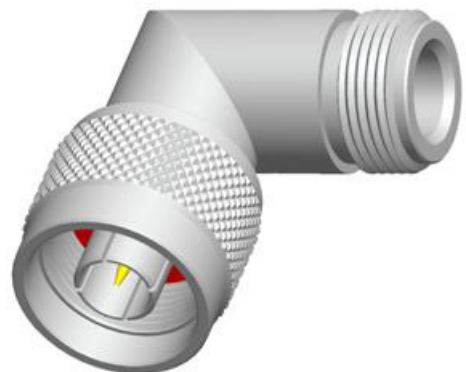
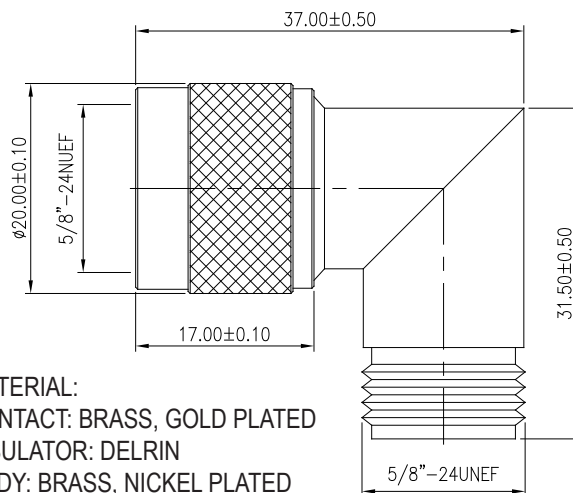
MATERIAL:  
 CONTACT: BRASS, GOLD PLATED  
 INSULATOR: DELRIN  
 BODY: BRASS, NICKEL PLATED

## MODEL NAME RFA005-NPNJ-00 (N PLUG TO N JACK)



MATERIAL:  
 CONTACT: BRASS, NICKEL PLATED  
 INSULATOR: DELRIN  
 BODY: BRASS, NICKEL PLATED

## MODEL NAME RFA006-NPNJ-10 (N PLUG TO N JACK)

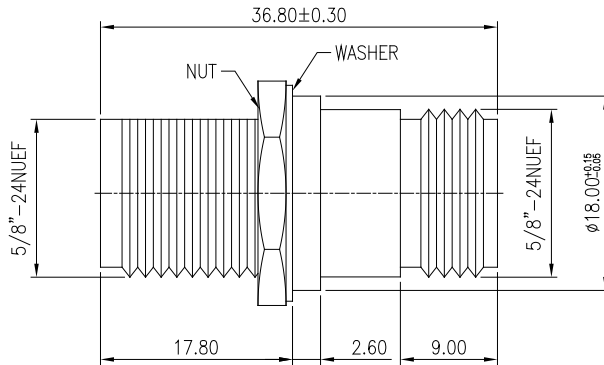


MATERIAL:  
 CONTACT: BRASS, GOLD PLATED  
 INSULATOR: DELRIN  
 BODY: BRASS, NICKEL PLATED

**NOTE:** SOME SIZES, STYLES AND OPTIONS ARE NON-STANDARD, NON-CANCELLABLE AND NON-RETURNABLE.

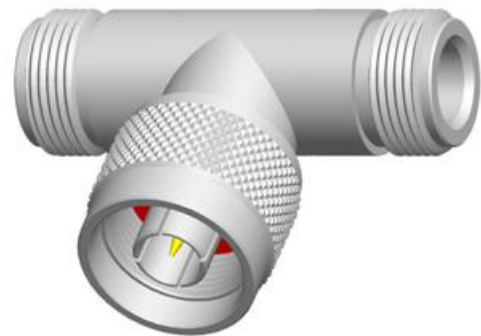
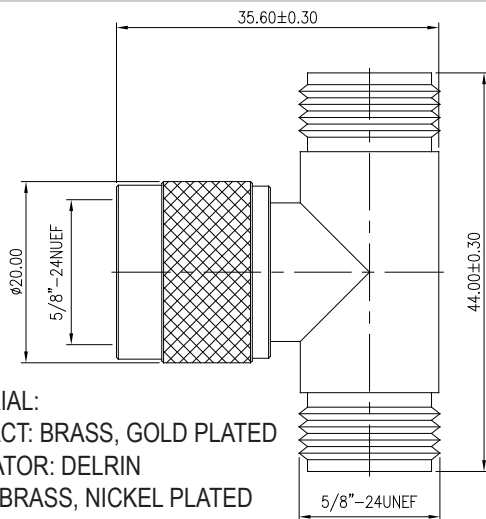
# RF ADAPTER

## MODEL NAME *RFA007-NJNJ-00 (N JACK TO N JACK)*



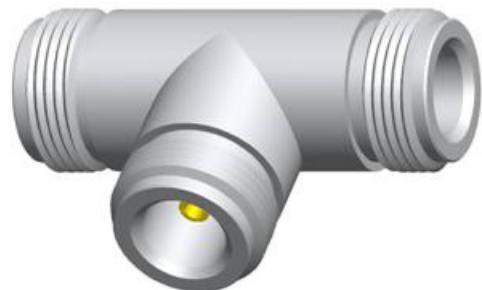
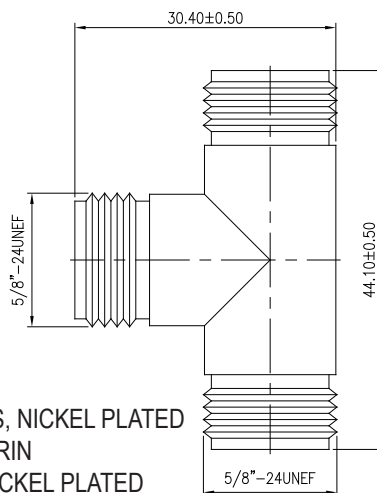
MATERIAL:  
 CONTACT: BRASS, NICKEL PLATED  
 INSULATOR: DELRIN  
 BODY: BRASS, NICKEL PLATED

## MODEL NAME *RFA009-NJNPJ-10 (N "T" FEMALE-MALE-FEMALE)*



MATERIAL:  
 CONTACT: BRASS, GOLD PLATED  
 INSULATOR: DELRIN  
 BODY: BRASS, NICKEL PLATED

## MODEL NAME *RFA010-NJNJN-00 (N "T" FEMALE-FEMALE-FEMALE)*

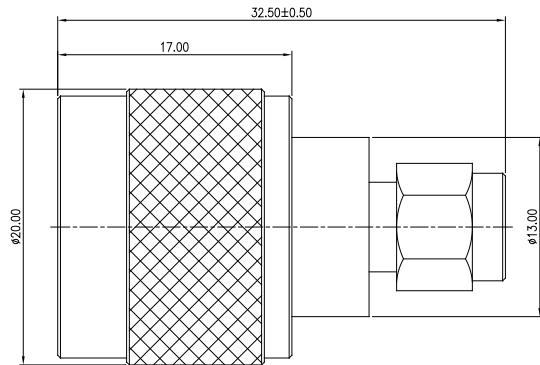


MATERIAL:  
 CONTACT: BRASS, NICKEL PLATED  
 INSULATOR: DELRIN  
 BODY: BRASS, NICKEL PLATED

**NOTE:** SOME SIZES, STYLES AND OPTIONS ARE NON-STANDARD, NON-CANCELLABLE AND NON-RETURNABLE.

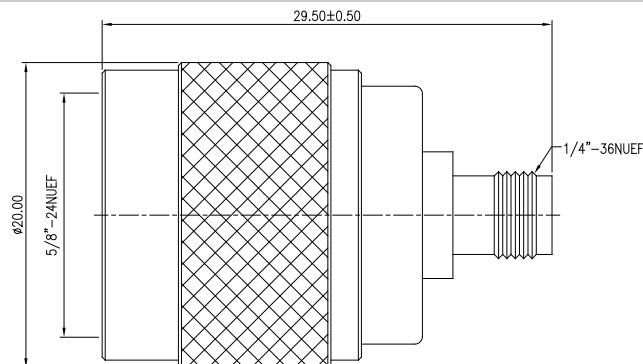
# RF ADAPTER

## MODEL NAME **RFA011-NPSP-10 (N PLUG TO SMA PLUG)**



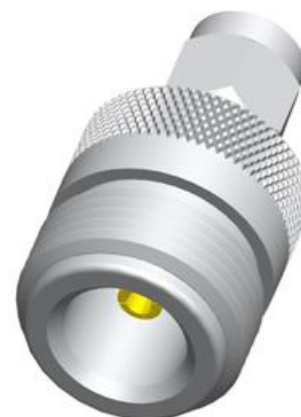
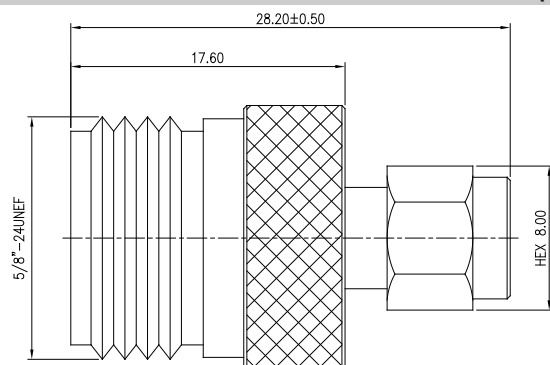
MATERIAL:  
 CONTACT: BRASS, GOLD PLATED  
 INSULATOR: DELRIN  
 BODY: BRASS, NICKEL PLATED

## MODEL NAME **RFA012-NPSJ-10 (N PLUG TO SMA JACK)**



MATERIAL:  
 CONTACT: BRASS, GOLD PLATED  
 INSULATOR: DELRIN  
 BODY: BRASS, NICKEL PLATED

## MODEL NAME **RFA013-NJSP-10 (N JACK TO SMA PLUG)**

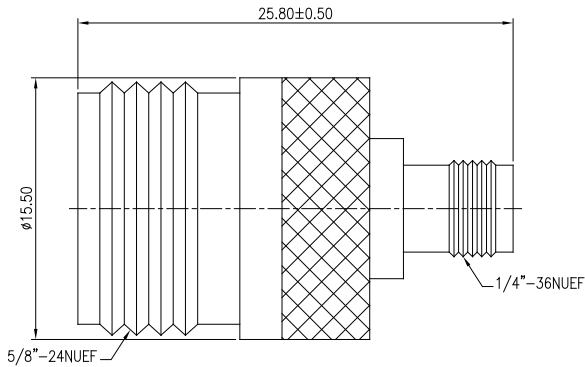


MATERIAL:  
 CONTACT: BRASS, GOLD PLATED  
 INSULATOR: DELRIN  
 BODY: BRASS, NICKEL PLATED

**NOTE:** SOME SIZES, STYLES AND OPTIONS ARE NON-STANDARD, NON-CANCELLABLE AND NON-RETURNABLE.

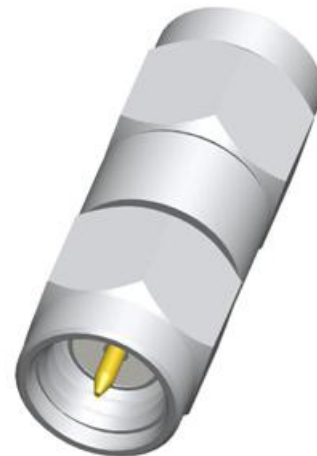
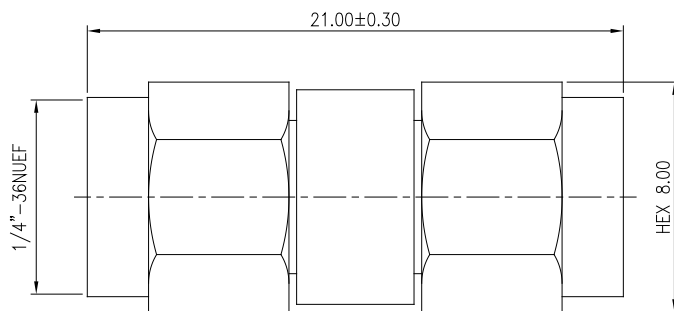
# RF ADAPTER

## MODEL NAME **RFA014-NJSJ-10 (N JACK TO SMA JACK)**



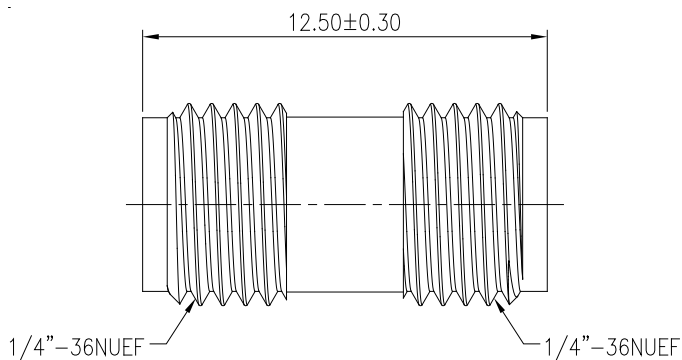
MATERIAL:  
 CONTACT: BRASS, GOLD PLATED  
 INSULATOR: DELRIN  
 BODY: BRASS, NICKEL PLATED

## MODEL NAME **RFA021-SPSP-10 (SMA PLUG TO SMA PLUG)**



MATERIAL:  
 CONTACT: BRASS, GOLD PLATED  
 INSULATOR: DELRIN  
 BODY: BRASS, NICKEL PLATED

## MODEL NAME **RFA023-SJSJ-10 (SMA JACK TO SMA JACK)**

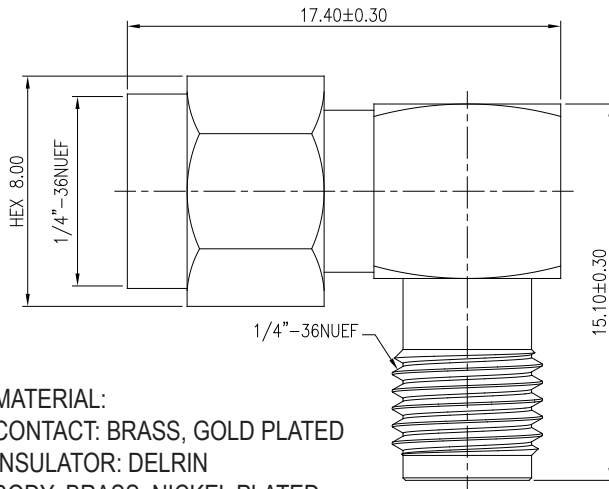


MATERIAL:  
 CONTACT: BRASS, GOLD PLATED  
 INSULATOR: DELRIN  
 BODY: BRASS, NICKEL PLATED

**NOTE:** SOME SIZES, STYLES AND OPTIONS ARE NON-STANDARD, NON-CANCELLABLE AND NON-RETURNABLE.

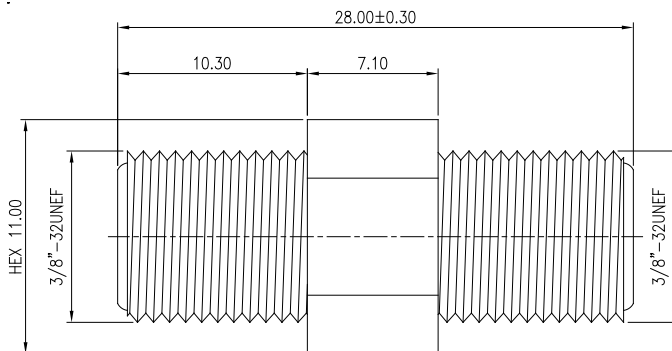
# RF ADAPTER

## MODEL NAME RFA026-SPSJ-10 (SMA PLUG TO SMA JACK)



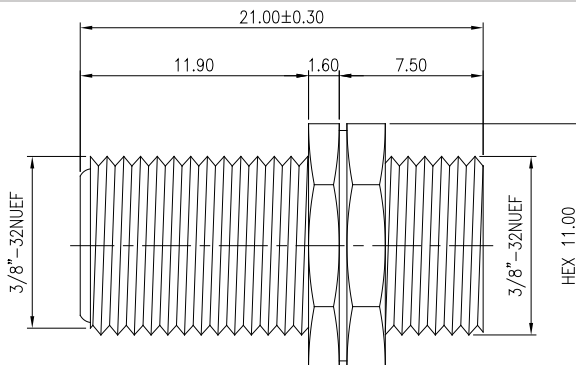
MATERIAL:  
 CONTACT: BRASS, GOLD PLATED  
 INSULATOR: DELRIN  
 BODY: BRASS, NICKEL PLATED

## MODEL NAME RFA031-FJFJ-20 (F JACK TO F JACK)



MATERIAL:  
 CONTACT: BRASS, TIN PLATED  
 INSULATOR: DELRIN  
 BODY: BRASS, NICKEL PLATED

## MODEL NAME RFA032-FJFJ-20 (F JACK TO F JACK)

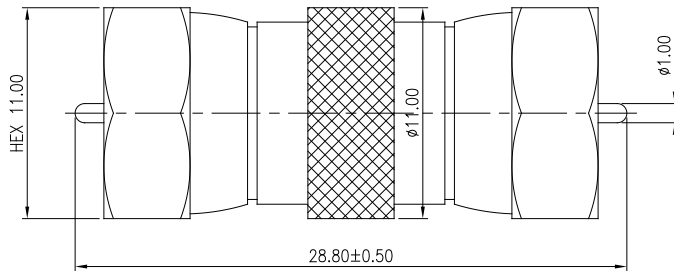


MATERIAL:  
 CONTACT: BRASS, TIN PLATED  
 INSULATOR: DELRIN  
 BODY: BRASS, NICKEL PLATED

**NOTE:** SOME SIZES, STYLES AND OPTIONS ARE NON-STANDARD, NON-CANCELLABLE AND NON-RETURNABLE.

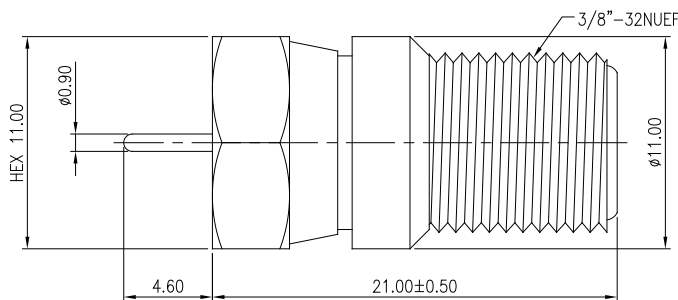
## RF ADAPTER

### MODEL NAME RFA033-FPPF-00 (F PLUG TO F PLUG)



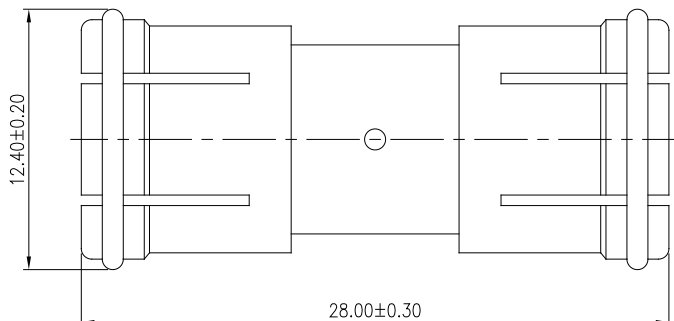
MATERIAL:  
CONTACT: BRASS, NICKEL PLATED  
INSULATOR: DELRIN  
BODY: BRASS, NICKEL PLATED

### MODEL NAME RFA034-FPFJ-20 (F PLUG TO F JACK)



MATERIAL:  
CONTACT: BRASS, TIN PLATED  
INSULATOR: DELRIN  
BODY: BRASS, NICKEL PLATED

### MODEL NAME RFA035-FPPF-00 (F PLUG TO F PLUG)



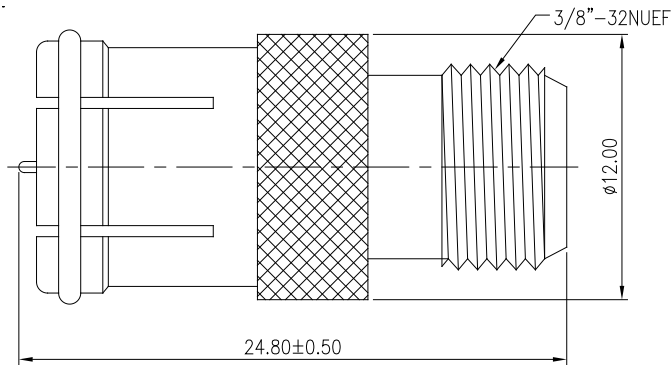
MATERIAL:  
CONTACT: BRASS, NICKEL PLATED  
INSULATOR: DELRIN  
BODY: BRASS, NICKEL PLATED

NOTE: SOME SIZES, STYLES AND OPTIONS ARE NON-STANDARD, NON-CANCELLABLE AND NON-RETURNABLE.



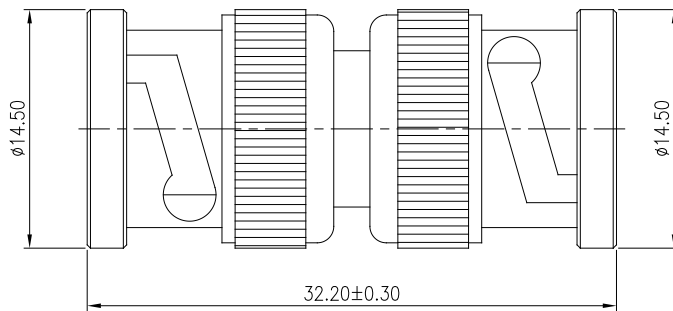
# RF ADAPTER

## MODEL NAME RFA036-FPFJ-20 (F PLUG TO F JACK)



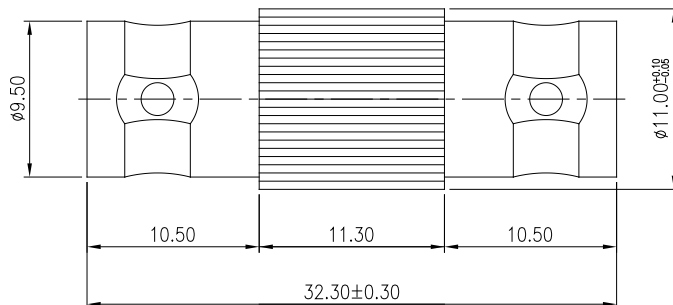
MATERIAL:  
 CONTACT: BRASS, TIN PLATED  
 INSULATOR: DELRIN  
 BODY: BRASS, NICKEL PLATED

## MODEL NAME RFA041-BPBP-10 (BNC PLUG TO BNC PLUG)



MATERIAL:  
 CONTACT: BRASS, GOLD PLATED  
 INSULATOR: DELRIN  
 BODY: BRASS, NICKEL PLATED

## MODEL NAME RFA043-BJBJ-10 (BNC JACK TO BNC JACK)

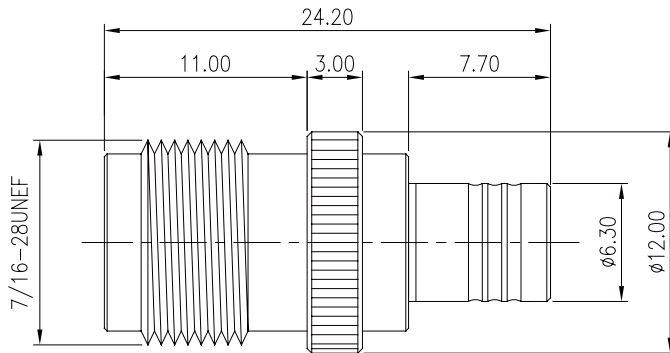


MATERIAL:  
 CONTACT: BRASS, GOLD PLATED  
 INSULATOR: DELRIN  
 BODY: BRASS, NICKEL PLATED

NOTE: SOME SIZES, STYLES AND OPTIONS ARE NON-STANDARD, NON-CANCELLABLE AND NON-RETURNABLE.

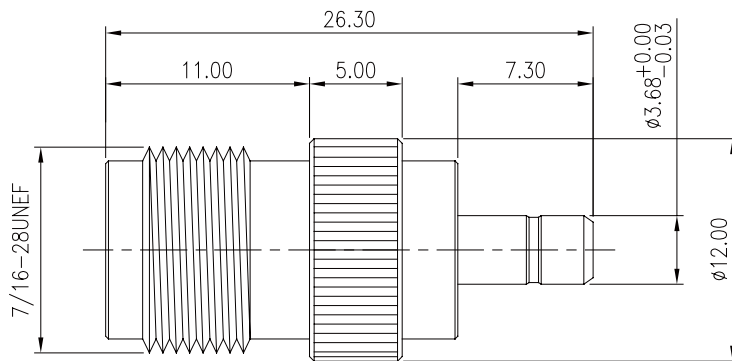
# RF ADAPTER

## MODEL NAME *RFA063-RTJSMBP-10*



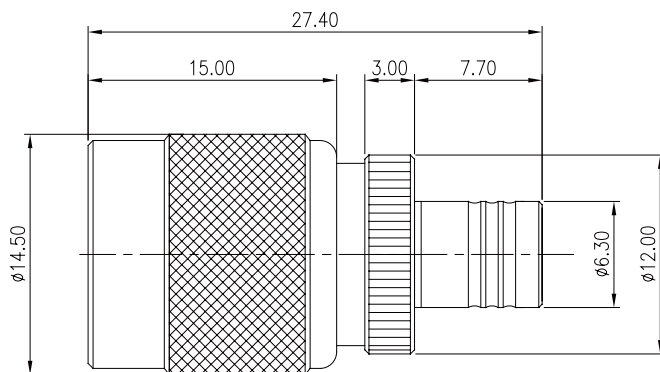
MATERIAL:  
 CONTACT: BRASS, GOLD PLATED  
 INSULATOR: TEFLON  
 BODY: BRASS, NICKEL PLATED

## MODEL NAME *RFA063-RTJSMBJ-10*



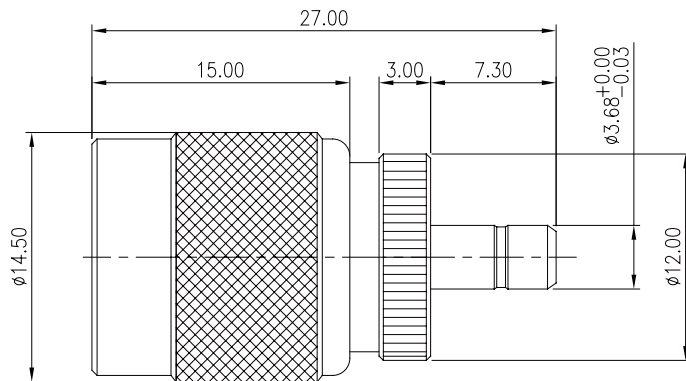
MATERIAL:  
 CONTACT: BRASS, GOLD PLATED  
 INSULATOR: TEFLON  
 BODY: BRASS, NICKEL PLATED

## MODEL NAME *RFA063-TPSMBP-10*



MATERIAL:  
 CONTACT: BRASS, GOLD PLATED  
 INSULATOR: TEFLON  
 BODY: BRASS, NICKEL PLATED

*NOTE: SOME SIZES, STYLES AND OPTIONS ARE NON-STANDARD, NON-CANCELLABLE AND NON-RETURNABLE.*

**RF ADAPTER****MODEL NAME**      *RFA063-TPSMBJ-10*

MATERIAL:  
CONTACT: BRASS, GOLD PLATED  
INSULATOR: TEFLON  
BODY: BRASS, NICKEL PLATED

**MODEL NAME****MODEL NAME**

*NOTE: SOME SIZES, STYLES AND OPTIONS ARE NON-STANDARD, NON-CANCELLABLE AND NON-RETURNABLE.*

**www.mmtmachrone.com**

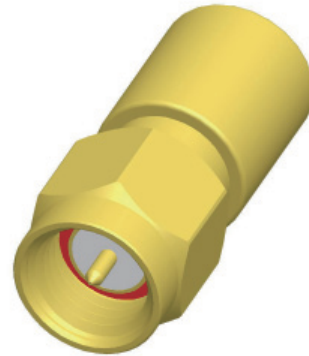
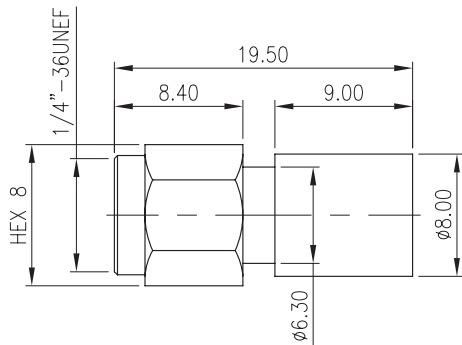
USA TEL: 1-510-979-2188  
FAX: 1-510-979-2189

TAIWAN TEL: 886-2-2755-3193  
FAX: 886-2-2784-5109

SINGAPORE TEL: 65-6274-0566  
FAX: 65-6274-7891

# COAXIAL TERMINATOR

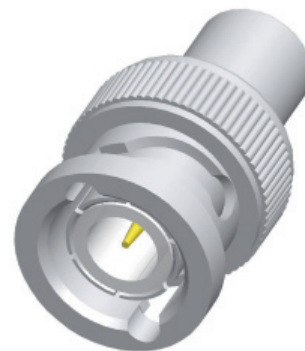
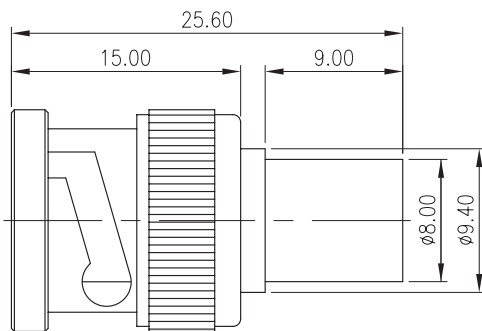
**MODEL NAME** SMA001-TMMGfG



MATERIAL:  
 CONTACT: BRASS, GOLD PLATED  
 BODY: BRASS, GOLD PLATED  
 INSULATOR: TEFLON

ELECTRICAL:  
 IMPEDANCE: 50Ω

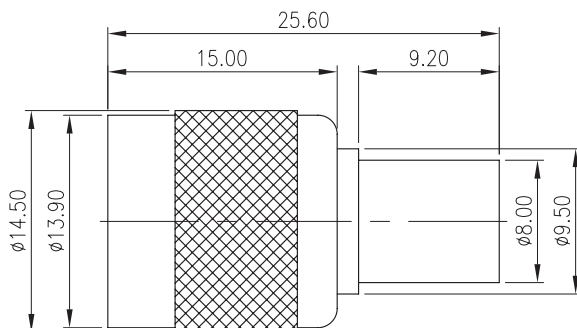
**MODEL NAME** BNC001-TMMGfN1



MATERIAL:  
 CONTACT: BRASS, GOLD PLATED  
 BODY: BRASS, NICKEL PLATED  
 INSULATOR: TEFLON

ELECTRICAL:  
 IMPEDANCE: 50Ω  
 POWER: 0.25W

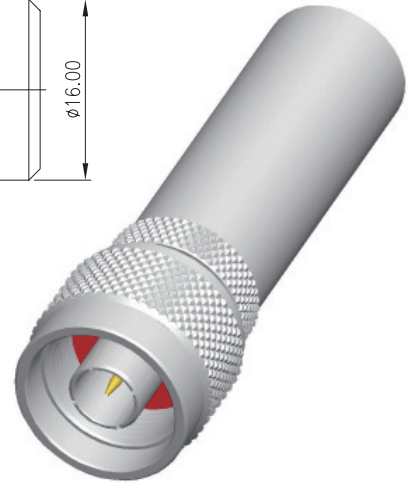
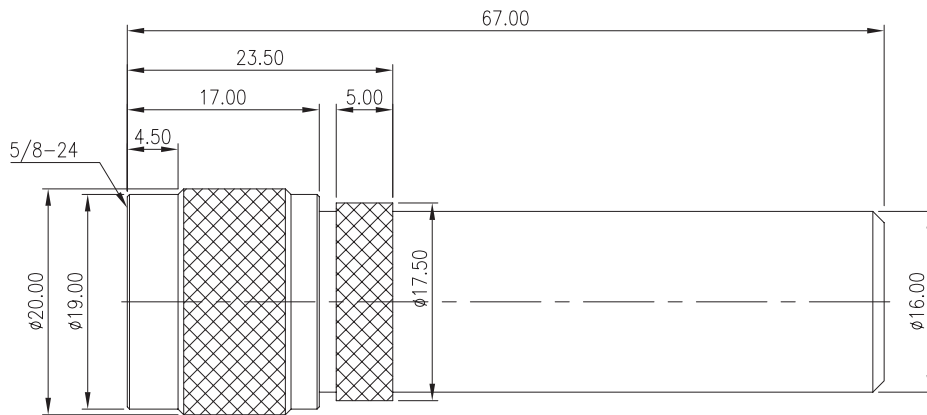
**MODEL NAME** TNC001-TMMGfN



MATERIAL:  
 CONTACT: BRASS, GOLD PLATED  
 BODY: BRASS, NICKEL PLATED  
 INSULATOR: TEFLON

ELECTRICAL:  
 IMPEDANCE: 50Ω

**NOTE:** SOME SIZES, STYLES AND OPTIONS ARE NON-STANDARD, NON-CANCELLABLE AND NON-RETURNABLE.

**COAXIAL TERMINATOR****MODEL NAME**      **NC001-TMMGfN1**

**MATERIAL:**  
BODY: BRASS, NICKEL PLATED  
PIN: BRASS, GOLD PLATED  
INSULATOR: TEFLON

**ELECTRICAL:**  
IMPEDANCE: 50 $\Omega$   
POWER: 10W

**NOTE:** SOME SIZES, STYLES AND OPTIONS ARE NON-STANDARD, NON-CANCELLABLE AND NON-RETURNABLE.

[www.mmtmachrone.com](http://www.mmtmachrone.com)

USA TEL: 1-510-979-2188  
FAX: 1-510-979-2189

TAIWAN TEL: 886-2-2755-3193  
FAX: 886-2-2784-5109

SINGAPORE TEL: 65-6274-0566  
FAX: 65-6274-7891