

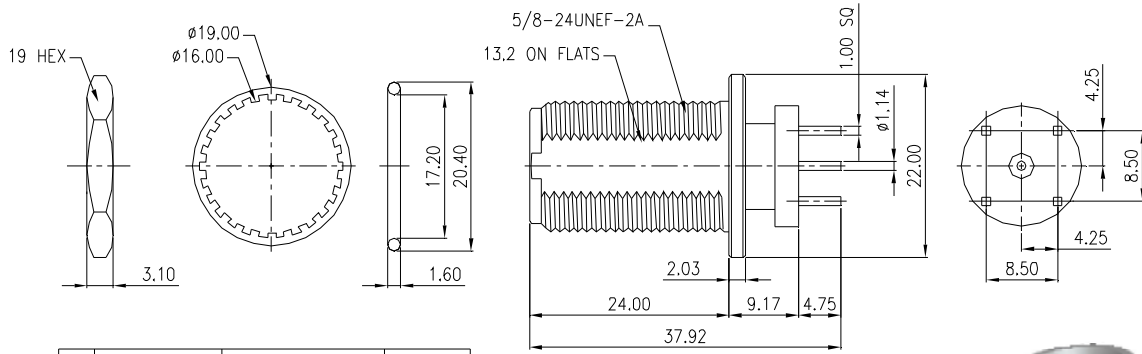
MMI RF COAXIAL CONNECTOR

- NC -
N CONNECTOR

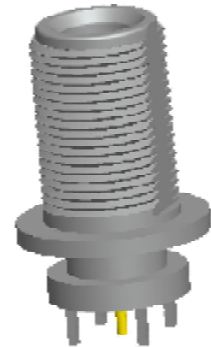
TERMINAL TYPE

- P : PCB TYPE, STRAIGHT TYPE
 - C_p : CABLE TYPE, PANEL MOUNT TYPE
 - C_a : CABLETYPE, RIGHT ANGLE TYPE
 - C : CABLE CONNECTOR, STRAIGHT TYPE
 - P_a : PCB TYPE, RIFHT ANGLE TYPE
-

N CONNECTOR - PCB CONNECTOR, STRAIGHT TYPE - P

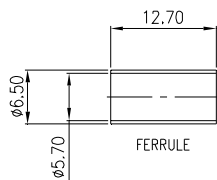
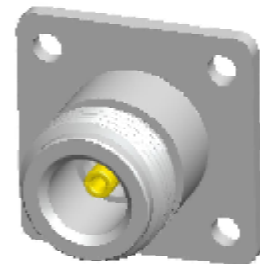
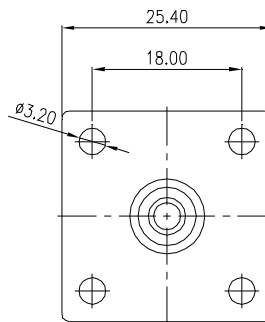
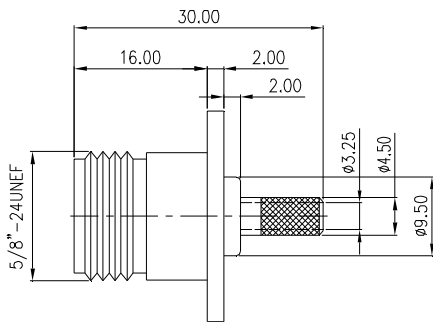


NO	DESCRIPTION	MATERIAL	FINISH
1	BODY	BRASS	NICKEL
2	INSULATOR	TEFLON	NATURAL
3	CENTER PIN	BER. COPPER	GOLD
4	INNER BODY	BRASS	NICKEL
5	P.C.B. LEGS	BRASS	BRT. TIN



NC N CONNECTOR
002 SERIES NO.
P PCB TYPE
 P: STRAIGHT TYPE
FF CONNECTOR TYPE
 FF: FEMALE HEAD, FEMALE PIN
Gf CONTACT PLATNG
 Gf: GOLD FLASH
N BODY PLATING
 N: NICKLE PLATED

N CONNECTOR - CABLE CONNECTOR, PANEL MOUNT TYPE - Cp

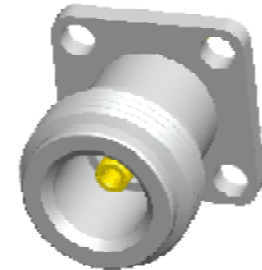
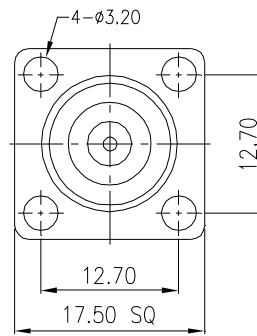
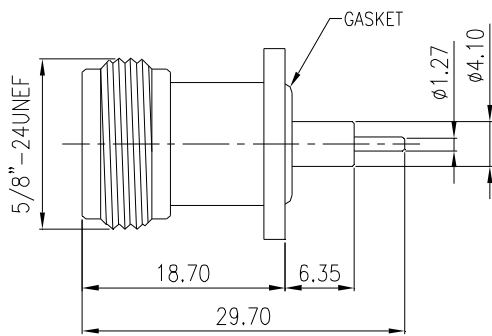


MATERIAL:
 BODY: BRASS, NICKEL PLATED
 PIN: BRASS, GOLD PLATED
 FERRULE: BRASS, NICKEL PLATED
 DIELECTRIC: PTFE

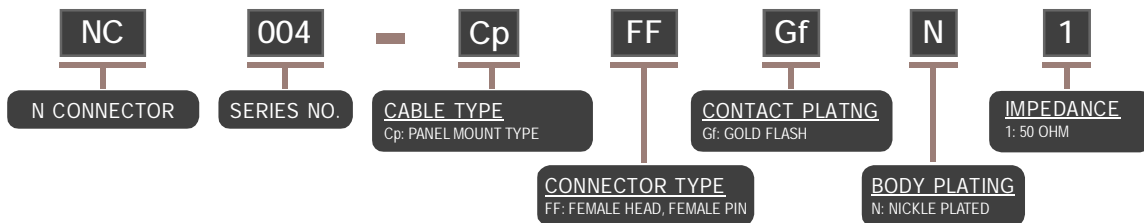
NC N CONNECTOR
003 SERIES NO.
Cp CABLE TYPE
 Cp: PANEL MOUNT TYPE
FF CONNECTOR TYPE
 FF: FEMALE HEAD, FEMALE PIN
Gf CONTACT PLATNG
 Gf: GOLD FLASH
N BODY PLATING
 N: NICKLE PLATED
1 IMPEDANCE
 1: 50 OHM

NOTE : SOME SIZES, STYLES AND OPTION ARE NON-STANDARD, NON-CANCELLABLE, NON-RETURNABLE

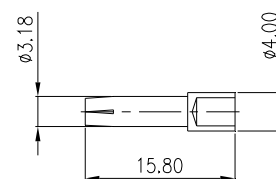
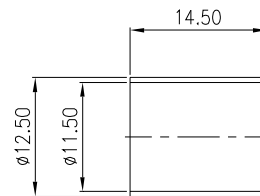
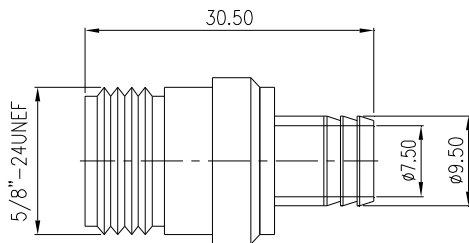
N CONNECTOR - CABLE CONNECTOR, PANEL MOUNT TYPE - Cp



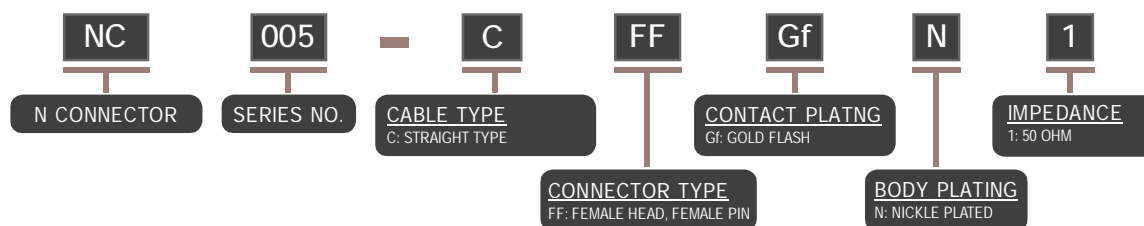
MATERIAL:
 BODY: BRASS, NICKEL PLATED
 PIN: BRASS, GOLD PLATED
 DIELECTRIC: PTFE
 GASKET: SILLCONE, BLACK



N CONNECTOR - CABLE CONNECTOR, STRAIGHT TYPE - C

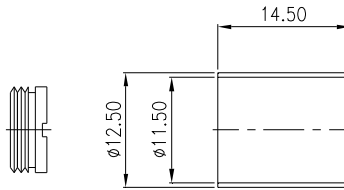
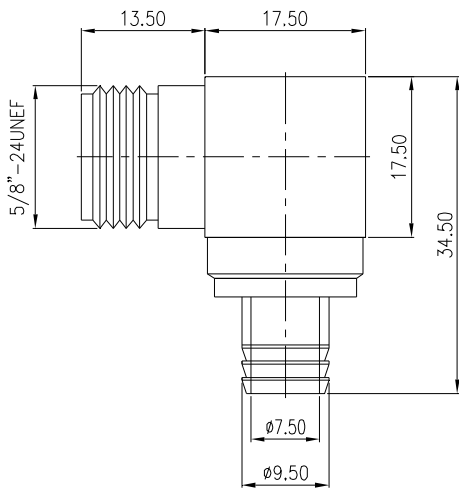


MATERIAL:
 BODY: BRASS, NICKEL PLATED
 PIN: BRASS, GOLD PLATED
 INSULATOR: POM



NOTE : SOME SIZES, STYLES AND OPTION ARE NON-STANDARD, NON-CANCELLABLE, NON-RETURNABLE

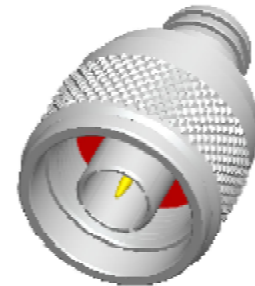
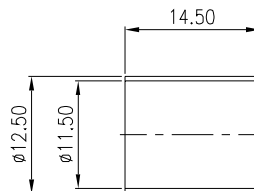
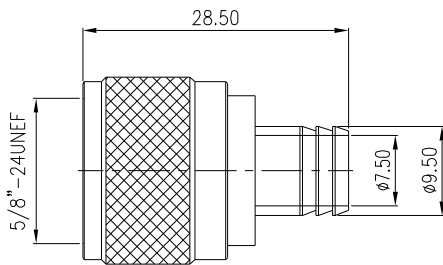
N CONNECTOR - CABLE CONNECTOR, RIGHT ANGLE TYPE - Ca



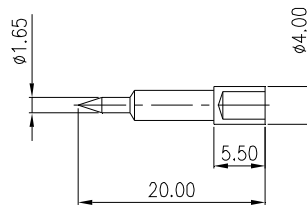
MATERIAL:
 BODY: BRASS, NICKEL PLATED
 PIN: BRASS, GOLD PLATED
 INSULATOR: POM

NC	006	Ca	FF	Gf	N	1
N CONNECTOR	SERIES NO.	CABLE TYPE Ca: RIGHT ANGLE TYPE	CONNECTOR TYPE FF: FEMALE HEAD, FEMALE PIN	CONTACT PLATING Gf: GOLD FLASH	BODY PLATING N: NICKEL PLATED	IMPEDANCE 1: 50 OHM

N CONNECTOR - CABLE CONNECTOR, STRAIGHT TYPE - C



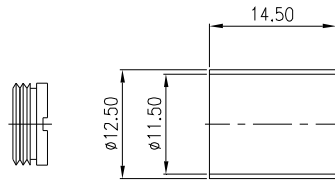
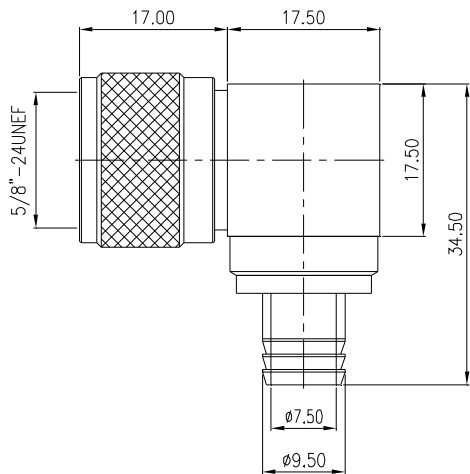
MATERIAL:
 BODY: BRASS, NICKEL PLATED
 PIN: BRASS, GOLD PLATED
 INSULATOR: POM



NC	007	C	MM	Gf	N	1
N CONNECTOR	SERIES NO.	CABLE TYPE C: STRAIGHT TYPE	CONNECTOR TYPE MM: MALE HEAD, MALE PIN	CONTACT PLATING Gf: GOLD FLASH	BODY PLATING N: NICKEL PLATED	IMPEDANCE 1: 50 OHM

NOTE : SOME SIZES, STYLES AND OPTION ARE NON-STANDARD, NON-CANCELLABLE, NON-RETURNABLE

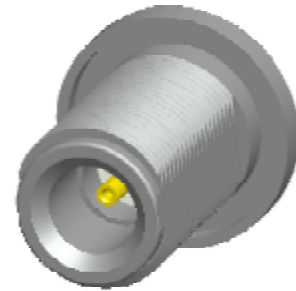
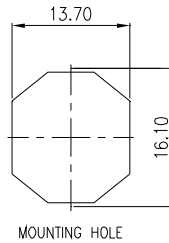
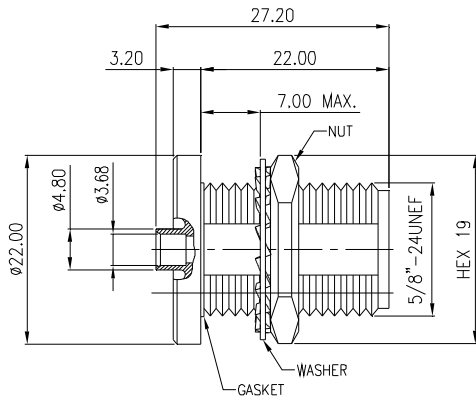
N CONNECTOR - CABLE CONNECTOR, RIGHT ANGLE TYPE - Ca



MATERIAL:
 BODY: BRASS, NICKEL PLATED
 PIN: BRASS, GOLD PLATED
 INSULATOR: POM

NC	008	Ca	MM	Gf	N	1
N CONNECTOR	SERIES NO.	CABLE TYPE Ca: RIGHT ANGLE TYPE	CONNECTOR TYPE MM: MALE HEAD, MALE PIN	CONTACT PLATING Gf: GOLD FLASH	BODY PLATING N: NICKLE PLATED	IMPEDANCE 1: 50 OHM

N CONNECTOR - CABLE CONNECTOR, STRAIGHT TYPE - C

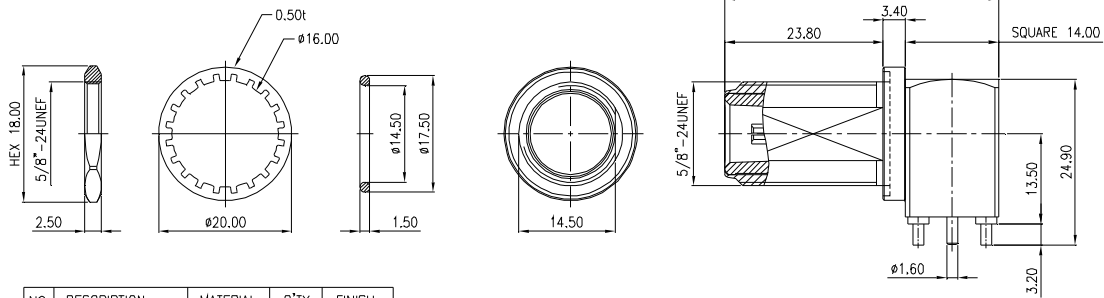


MATERIAL:
 BODY: BRASS, NICKEL PLATED
 PIN: BRASS, GOLD PLATED
 INSULATOR: PTFE
 NUT: BRASS, NICKEL PLATED
 WASHER: BRASS, NICKEL PLATED
 GASKET: RUBBER, BLACK

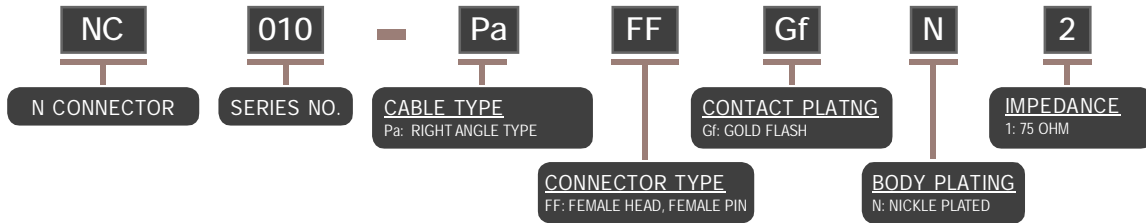
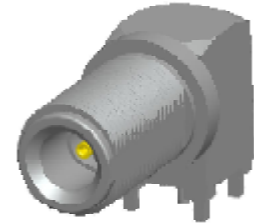
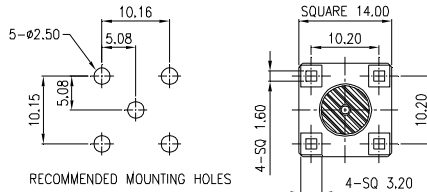
NC	009	C	FF	GX	N	1
N CONNECTOR	SERIES NO.	CABLE TYPE C: STRAIGHT TYPE	CONNECTOR TYPE FF: FEMALE HEAD, FEMALE PIN	CONTACT PLATING Gf: GOLD FLASH G30: 30µ" GOLD FLASH	BODY PLATING N: NICKLE PLATED	IMPEDANCE 1: 50 OHM

NOTE : SOME SIZES, STYLES AND OPTION ARE NON-STANDARD, NON-CANCELLABLE, NON-RETURNABLE

N CONNECTOR - PCB CONNECTOR, RIGHT ANGLE TYPE - Pa



NO	DESCRIPTION	MATERIAL	Q'TY	FINISH
1	NUT	BRASS	1	NICKEL
2	WASHER	BRASS	1	NICKEL
3	O RING	SILICONE	1	BLACK
4	BODY	BRASS	1	NICKEL
5	RETAINING HOLDER	BRASS	1	NICKEL
6	CENTER PIN	BRASS	1	GOLD
7	INSULATOR	TEFLON	1	
8	RETAINING HOLDER	BRASS	1	NICKEL
9	BODY	BRASS	1	NICKEL
10	INSULATOR	TEFLON	1	



NOTE : SOME SIZES, STYLES AND OPTION ARE NON-STANDARD, NON-CANCELLABLE, NON-RETURNABLE