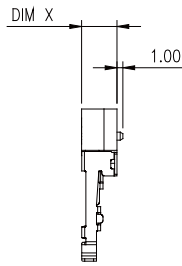
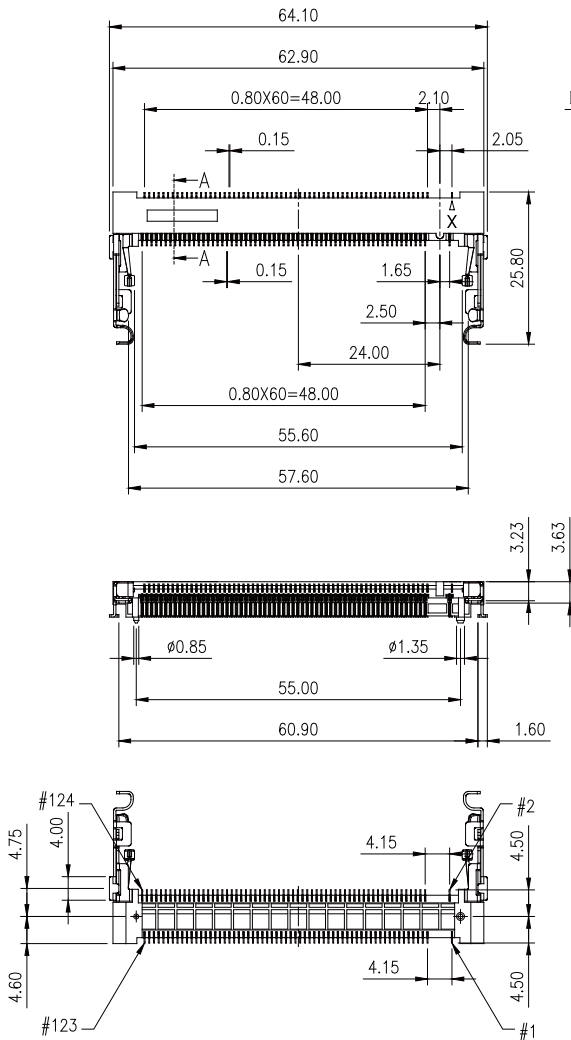
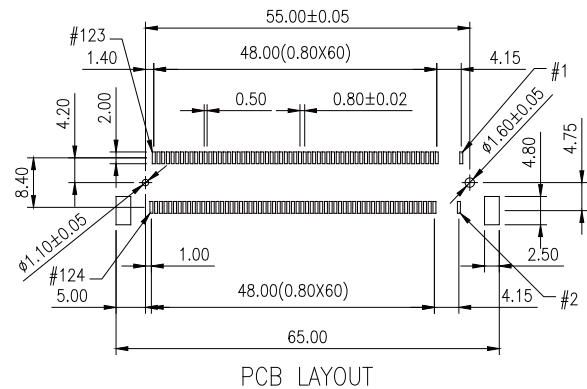
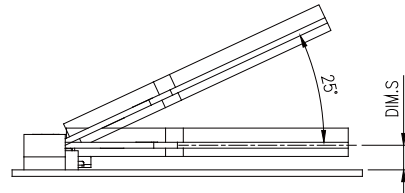


MINIPCI CONNECTOR

MODEL NAME *MINIPCI 100X SERIES*

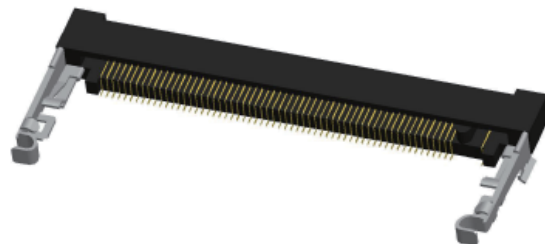


MINI PCI SERIES	DIM.S
MINIPCI1001	2.18
MINIPCI1002	3.38
MINIPCI1003	3.78
MINIPCI1004	4.18
MINIPCI1005	7.38
MINIPCI1006	6.18



ORDER INFORMATION:

MINIPCI100X-Rt124Gf
 MINIPCI: MINI PCI CONNECTOR
 100X: SERIES NO.
 1001: DIM X = 4.00mm
 1002: DIM X = 5.20mm
 1003: DIM X = 5.60mm
 1004: DIM X = 6.00mm
 1005: DIM X = 9.20mm
 1006: DIM X = 8.00mm
 Rt: PCB TYPE, RIGHT ANGLE SURFACE MOUNT TYPE
 124: NO. OF CONTACTS
 Gf: GOLD FLASH ON CONTACT



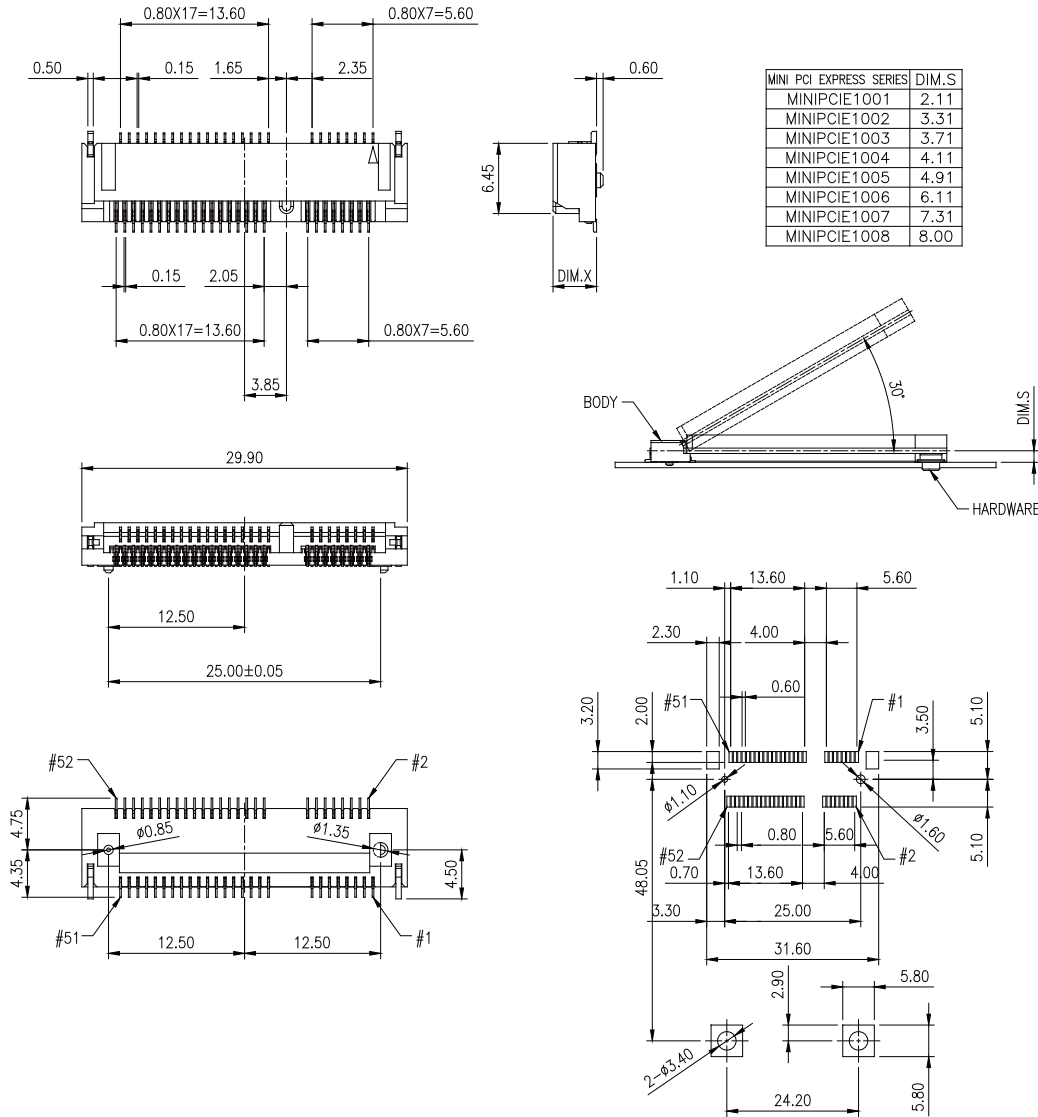
NOTE:

SOLDERTAIL TO BE WITHIN 0.05 UPWARD AND 0.2 DOWNWARD FROM Z-DATUM PLACE, AND COPLANALITY OF SOLDERTAILS TO BE WITHIN 0.10
 MEASUREMENT POINT IS SOLDERTAILS TIP.

NOTE: SOME SIZES, STYLES AND OPTIONS ARE NON-STANDARD, NON-CANCELLABLE AND NON-RETURNABLE.

MINIPCI EXPRESS CONNECTOR

MODEL NAME **MINIPCIE 100X SERIES** (WITH SCREWS)



ORDER INFORMATION:

MINIPCIE100X-Rt52Gf

MINIPCIE: MINI PCI EXPRESS CONNECTOR

100X SERIES NO.

1001: DIM.X= 4.00mm,

1002: DIM.X= 5.20mm,

1003: DIM.X= 5.60mm,

1004: DIM.X= 6.00mm,

1005: DIM.X= 6.80mm,

1006: DIM.X= 8.00mm,

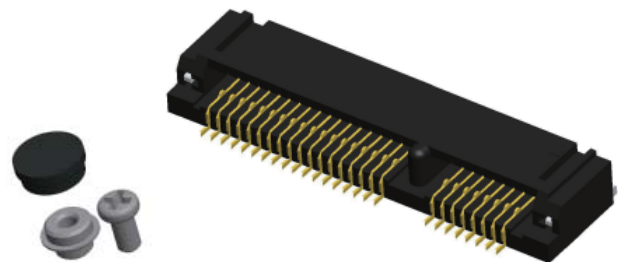
1007: DIM.X= 9.20mm,

1008: DIM.X= 9.90mm,

Rt: PCB TYPE, RIGHT ANGLE SURFACE MOUNT

52: NO. OF CONTACTS

Gf: GOLD FLASH

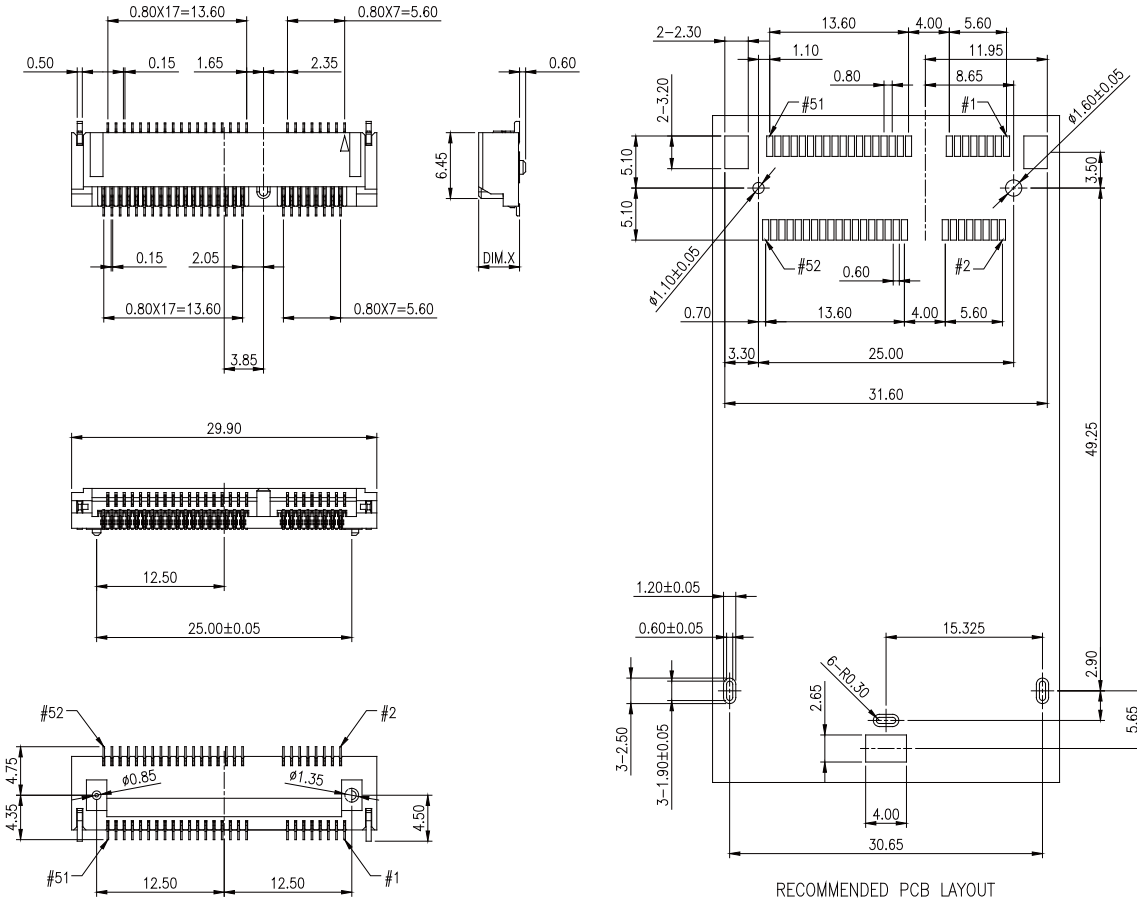


NOTE: SOME SIZES, STYLES AND OPTIONS ARE NON-STANDARD, NON-CANCELLABLE AND NON-RETURNABLE.

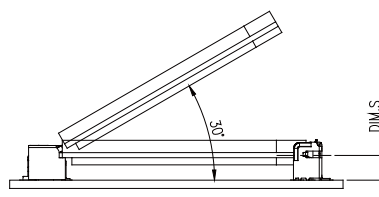
www.mmtmachrone.com

MINIPCI EXPRESS CONNECTOR

MODEL NAME **MINIPCIE 101X SERIES (WITH LATCH)**



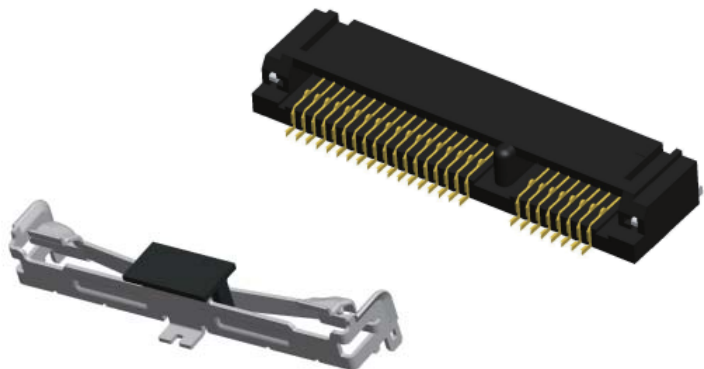
RECOMMENDED PCB LAYOUT



MINI PCI EXPRESS SERIES	DIM.S
MINIPCIE1011-Rt52Gf	2.11
MINIPCIE1012-Rt52Gf	3.31
MINIPCIE1013-Rt52Gf	3.71
MINIPCIE1014-Rt52Gf	4.11
MINIPCIE1015-Rt52Gf	4.85
MINIPCIE1016-Rt52Gf	6.05
MINIPCIE1017-Rt52Gf	7.31

ORDER INFORMATION:

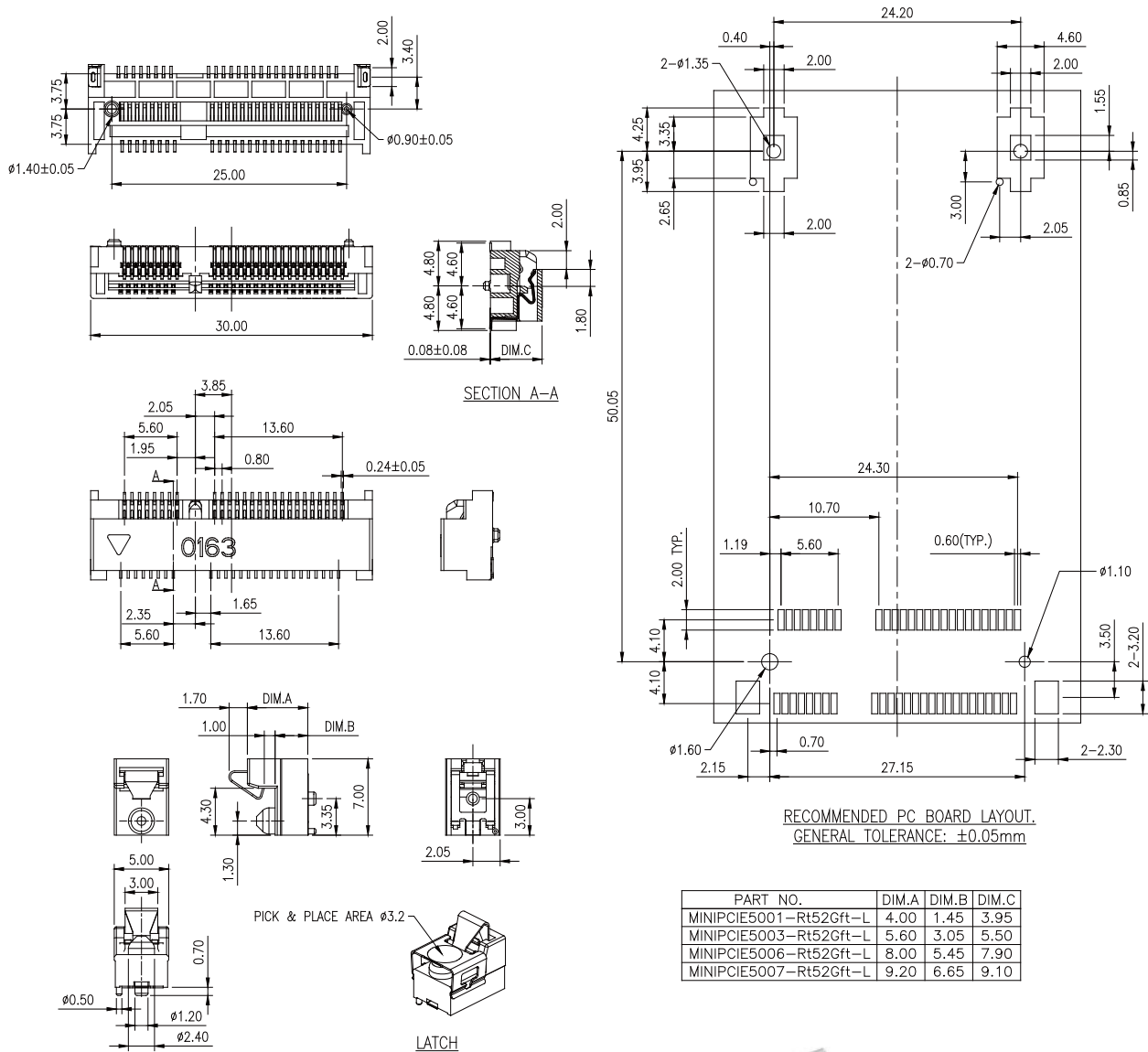
MINIPCIE101X-Rt52Gf
 MINIPCIE: MINI PCI EXPRESS CONNECTOR
 101X: SERIES NO., WITH LATCH
 1011: STAND OFF 4.00mm
 1012: STAND OFF 5.20mm
 1013: STAND OFF 5.60mm
 1014: STAND OFF 6.00mm
 1015: STAND OFF 6.80mm
 1016: STAND OFF 8.00mm
 1017: STAND OFF 9.20mm
 Rt: PCB TYPE, RIGHT ANGLE SURFACE MOUNT
 52: NO. OF CONTACTS
 Gf: CONTACT PLATING, GOLD FLASH



NOTE: SOME SIZES, STYLES AND OPTIONS ARE NON-STANDARD, NON-CANCELLABLE AND NON-RETURNABLE.

MINIPCI EXPRESS CONNECTOR

MODEL NAME **MINIPCI E 500X SERIES (WITH LATCH)**



ORDER INFORMATION:

MINIPCI E500X-Rt52Gft-L

MINIPCI E: MINI PCI EXPRESS CONNECTOR

500X SERIES NO.

5001: DIM.A= 4.00mm

5003: DIM.A= 5.60mm

5006: DIM.A= 8.00mm

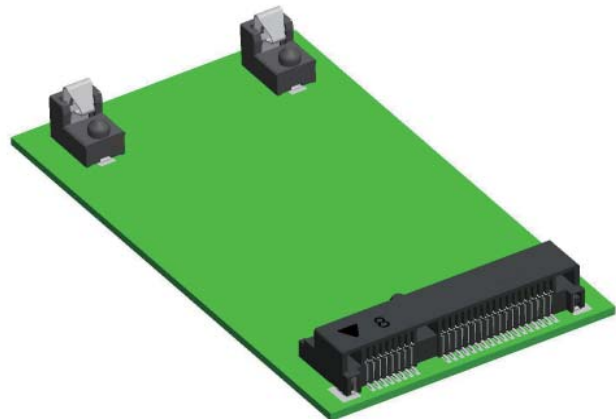
5007: DIM.A= 9.20mm

Rt: PCB TYPE, RIGHT ANGLE SURFACE MOUNT

52: NO. OF CONTACTS

Gft: GOLD FLASH ON CONTACT, TIN PLATED ON
SOLDER AREA

L: WITH LATCH



NOTE: SOME SIZES, STYLES AND OPTIONS ARE NON-STANDARD, NON-CANCELLABLE AND NON-RETURNABLE.