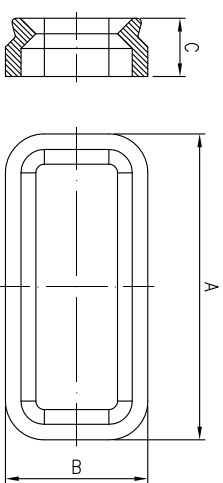
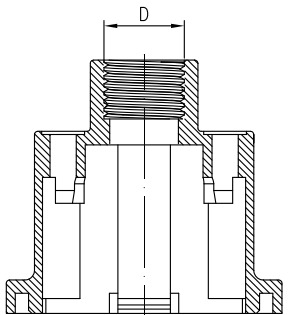
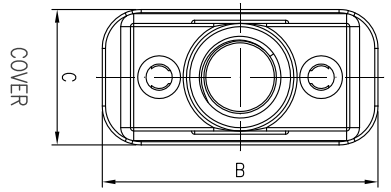
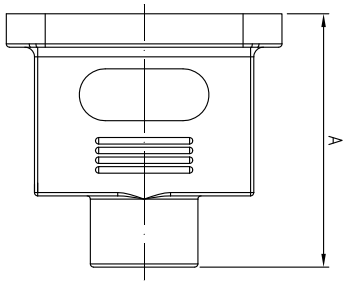


		REVISIONS			
SYM	DESCRIPTION	DATE	APPROVED	SYM	DESCRIPTION
△				△	
△				△	

**\*\*CUSTOMER DRAWING FOR REFERENCE ONLY, SAMPLES APPROVAL ARE REQUIRED!!**

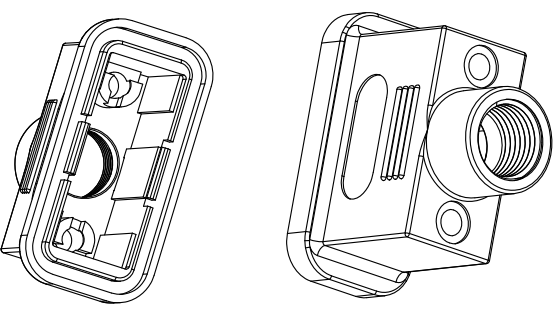
DATE	APPROVED
23/FEB/12'	
23/FEB/12'	

351



COVER				
ITEM	A	B	C	D
9PIN	39.10	42.55	20.90	M12x1.25
15PIN	39.10	50.87	20.90	M13x1.25
25PIN	39.10	64.59	20.90	M14x1.25
37PIN	39.10	81.05	20.90	M15x1.25
50PIN	39.10	78.85	23.90	M18x1.25

SOFT RUBBER				
ITEM	A	B	C	
9PIN	39.35	18.30	7.50	
15PIN	47.67	18.30	7.50	
25PIN	61.39	18.30	7.50	
37PIN	77.85	18.30	7.50	
50PIN	75.65	21.30	7.50	



DBWJ001-

A: SCREW TYPE, #4-40  
B: SCREW TYPE, M3

- 09: 09 PIN
- 15: 15 PIN
- 25: 25 PIN
- 37: 37 PIN
- 50: 50 PIN

MATERIAL: ABS+PC

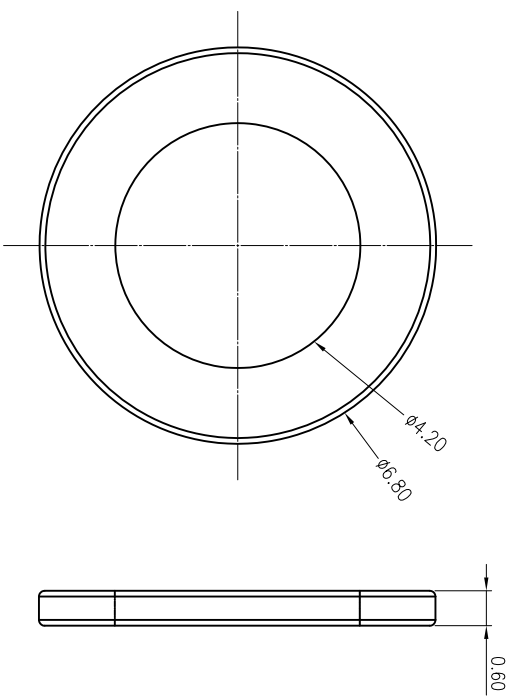
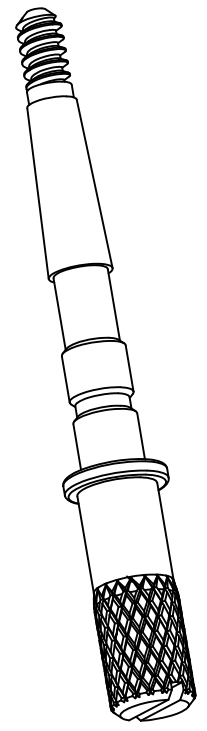
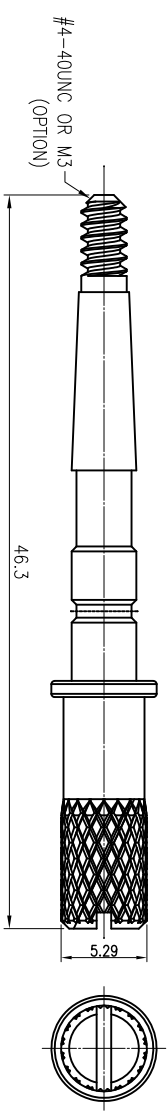
TOLERANCES UNLESS OTHERWISE SPECIFIED		SIGNATURES		DATE	MODEL
±0.38		DRAWN	AARON	23/FEB/12'	D-SUB WATERPROOF JACKET
		CHECKED	PEGGY	23/FEB/12'	
		APPROVALS			NO. DBWJ001- -- --

MMT CORPORATION

		REVISIONS			
SYM	DESCRIPTION	DATE	APPROVED	SYM	DESCRIPTION
Δ				Δ	
Δ				Δ	

\*\*CUSTOMER DRAWING FOR REFERENCE ONLY, SAMPLES APPROVAL ARE REQUIRED!!

DATE	APPROVED	351
------	----------	-----



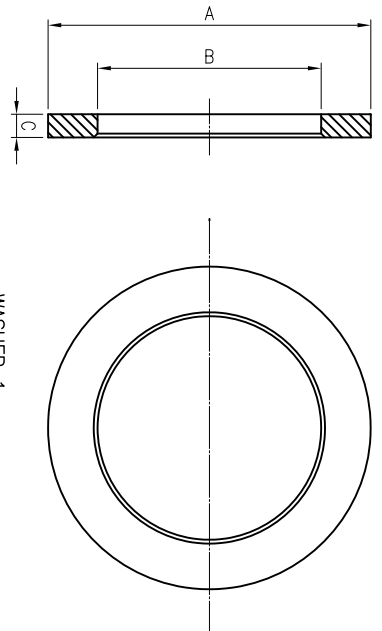
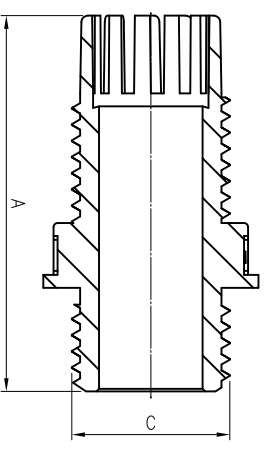
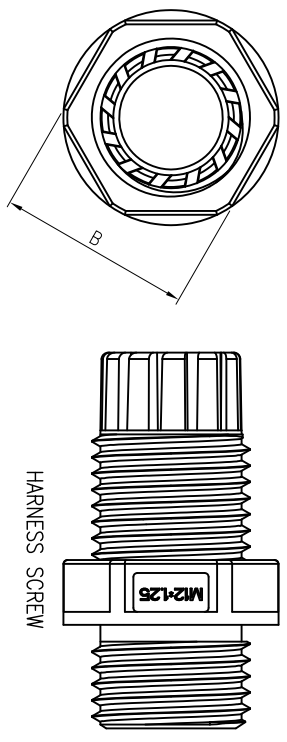
**MATERIAL**  
 BODY: GLASS FILLED THERMOPLASTIC.  
 FLAME RETARDANT TO UL 94V-0, COLOR BLACK.  
 SCREWS: BRASS 100U" MIN SN OVER 50U" MIN NICKEL.  
 CLIMATIC: TEMPERATURE RANGE -55°C~85°C.  
 WATERPROOF RATE: IP67

TOLERANCES UNLESS OTHERWISE SPECIFIED		SIGNATURES		DATE		MODEL	
±0.38		DRAWN	AARON	23/FEB/12'	TITLE	D-SUB WATERPROOF JACKET	
Δ	UNIT	CHECKED	PEGGY	23/FEB/12'	NO.	DBWJ001 - - - - -	
	mm	APPROVALS					
	SCALE	<b>MMT CORPORATION</b>					
	1/1						

REVISIONS		1	2	3	4	5	6	7	8
SYM	DESCRIPTION	DATE	APPROVED	SYM	DESCRIPTION	DATE	APPROVED		
Δ				Δ					
Δ				Δ					

**\*\*CUSTOMER DRAWING FOR REFERENCE ONLY, SAMPLES APPROVAL ARE REQUIRED!!**

351



HARNNESS SCREW			
ITEM	A	B	C
9PIN	29.00	15.00	M12x1.25
15PIN	29.00	15.00	M13x1.25
25PIN	29.00	15.90	M14x1.25
37PIN	29.00	18.60	M15x1.25
50PIN	29.00	19.50	M18x1.25

WASHER 1			
ITEM	A	B	C
9PIN	ø16.6	ø11.5	1.20
15PIN	ø16.6	ø12.5	1.20
25PIN	ø17.6	ø13.5	1.20
37PIN	ø18.6	ø14.5	1.20
50PIN	ø21.6	ø17.3	1.20

MATERIAL: ABS+PC

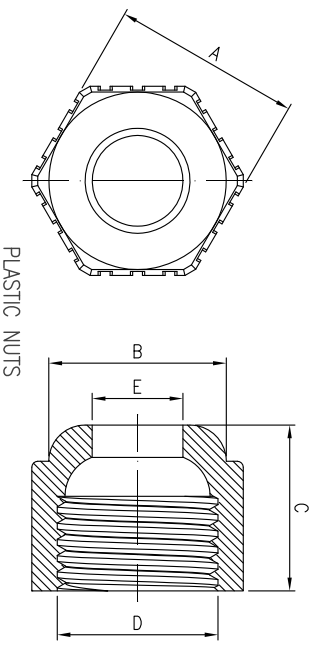
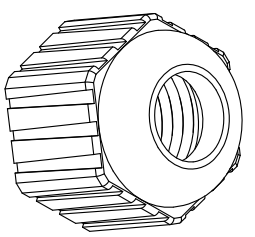
TOLERANCES UNLESS OTHERWISE SPECIFIED		SIGNATURES		DATE	MODEL
±0.38		DRAWN	AARON	23/FEB/12'	D-SUB WATERPROOF JACKET
		CHECKED	PEGGY	23/FEB/12'	
		APPROVALS			

MMT CORPORATION

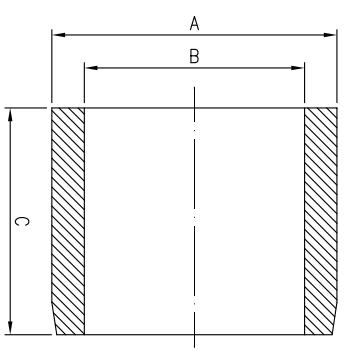
SYM	DESCRIPTION	DATE	APPROVED	SYM	DESCRIPTION	DATE	APPROVED
△				△			
△				△			

**\*\*CUSTOMER DRAWING FOR REFERENCE ONLY, SAMPLES APPROVAL ARE REQUIRED!!**

351
-----



ITEM	A	B	C	D	E
9PIN	14.60	13.50	12.80	M12x1.25	6.85
15PIN	15.20	13.80	12.80	M13x1.25	7.50
25PIN	16.30	14.30	12.80	M14x1.25	8.90
37PIN	17.30	15.30	12.80	M15x1.25	9.85
50PIN	21.80	20.60	12.80	M18x1.25	11.65



ITEM	A	B	C
9PIN	8.80	6.80	7.00
15PIN	9.80	7.80	7.00
25PIN	10.80	8.80	7.00
37PIN	11.80	9.80	7.00
50PIN	13.80	11.80	7.00

PLASTIC NUTS

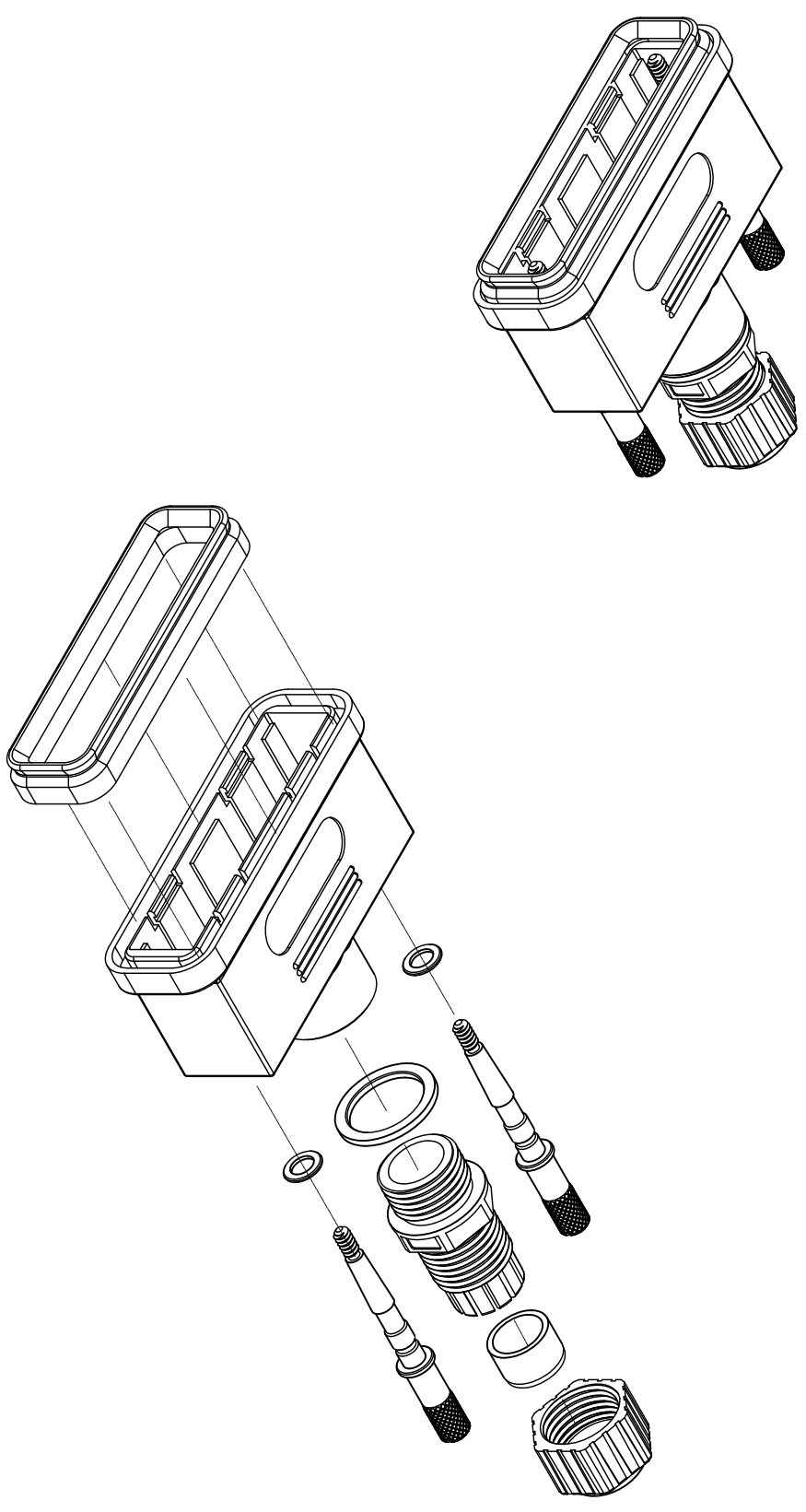
SOFT RUBBER

MATERIAL: ABS+PC

TOLERANCES UNLESS OTHERWISE SPECIFIED		SIGNATURES		DATE	MODEL
±0.38		DRAWN	AARON	23/FEB/12'	D-SUB WATERPROOF JACKET
		CHECKED	PEGGY	23/FEB/12'	
		APPROVALS			

MMT CORPORATION

		REVISIONS			
SYM	DESCRIPTION	DATE	APPROVED	SYM	DESCRIPTION
Δ				Δ	
Δ				Δ	
**CUSTOMER DRAWING FOR REFERENCE ONLY, SAMPLES APPROVAL ARE REQUIRED!!					



TOLERANCES UNLESS OTHERWISE SPECIFIED		SIGNATURES		DATE		MODEL	
±0.25		DRAWN ALAN		23/DEC/14'		TITLE WATERPROOF DB ASSEMBLY DRAWING	
SYMBOL UNIT mm		CHECKED AARON		23/DEC/14'		NO. DBWJ	
SCALE 4/1		APPROVALS					

MMT CORPORATION