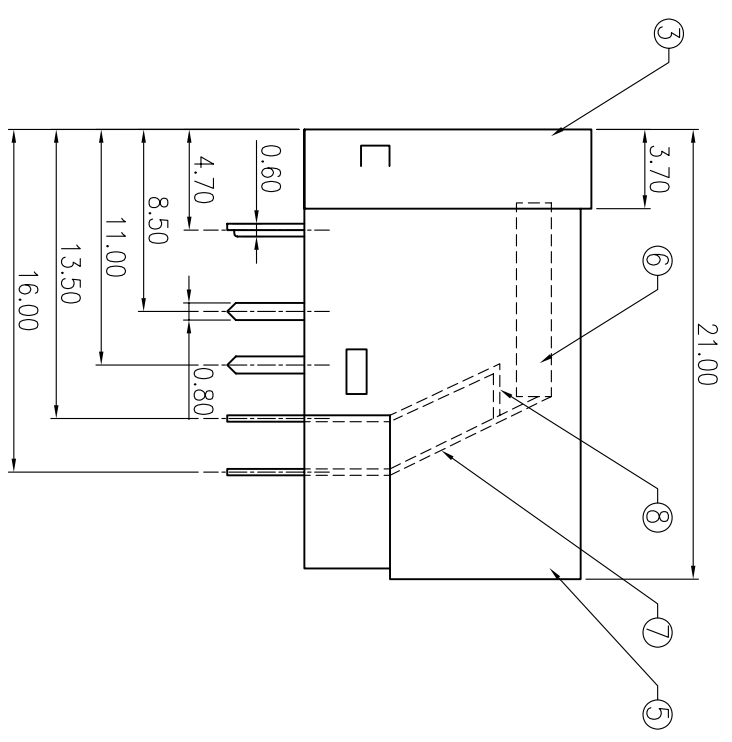
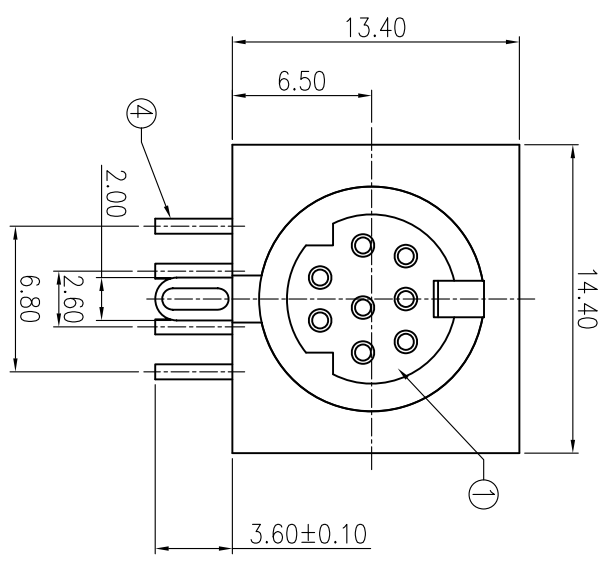
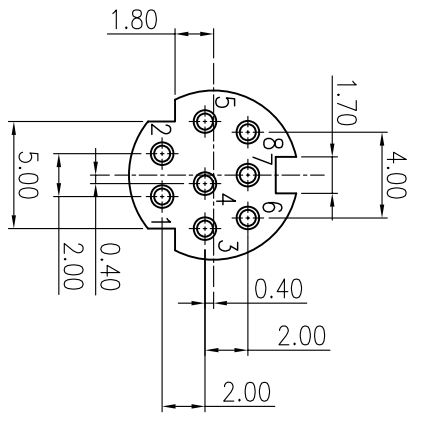
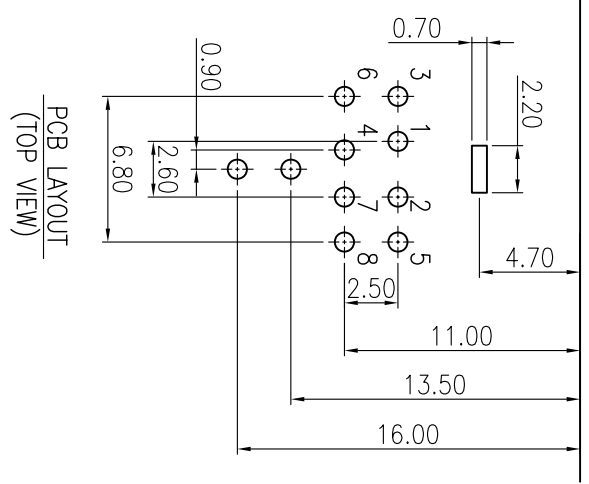


VI.1 NOTE: THIS DEVICE IS ROHS COMPLIANT.



P.C.B. EDGE



ORDER INFORMATION  
 MD348-P008NGft  
 MD: MINI DIN JACK  
 348: SERIES NO.  
 Pa: PCB TYPE, RIGHT ANGLE  
 08: NO. OF CONTACTS  
 N: NICKLE PLATED  
 Gft: TERMINAL PLATING,  
 GOLD PLATING ON CONTACT,  
 TIN PLATING ON SOLDER TAIL

		REVISIONS				
SYM	DISCRPTION	DATE	APPROVED	SYM	DISCRPTION	DATE
Δ				Δ		
Δ				Δ		

\*\*CUSTOMER DRAWING FOR REFERENCE ONLY, SAMPLES APPROVAL ARE REQUIRED!!

022

NO.	PART NAME	Q'ty	MATERIAL
8	CHUNT TERMINAL	1	BSR 0.3t SILVER PLATE
7	SPRING TERMINAL	1	BERYLLIUM COPPER 0.3t SILVER PLATE
6	SLIDER LEVER	1	POLYACETAL UL94HB
5	BACK SHIELDING	1	BS 0.35t NICKEL PLATE
4	CONNECTOR	8	BS 0.5t Pbsn PLATED
3	TOP SHIELDING	1	BS 0.35t NICKEL PLATE
2	COVER	1	PBT+15%GF UL94V-0 BLACK
1	BODY	1	PBT+15%GF UL94V-0 BLACK

TOLERANCES UNLESS OTHERWISE SPECIFIED		SIGNATURES		DATE		MODEL	
SYMBOL	UNIT	SCALE	CHECKED	WENDY	26/NOV/07	TITLE	MINI DIN JACK
Δ	mm	3/1	APPROVALS			NO.	MD348-P008NGft

**MMT CORPORATION**