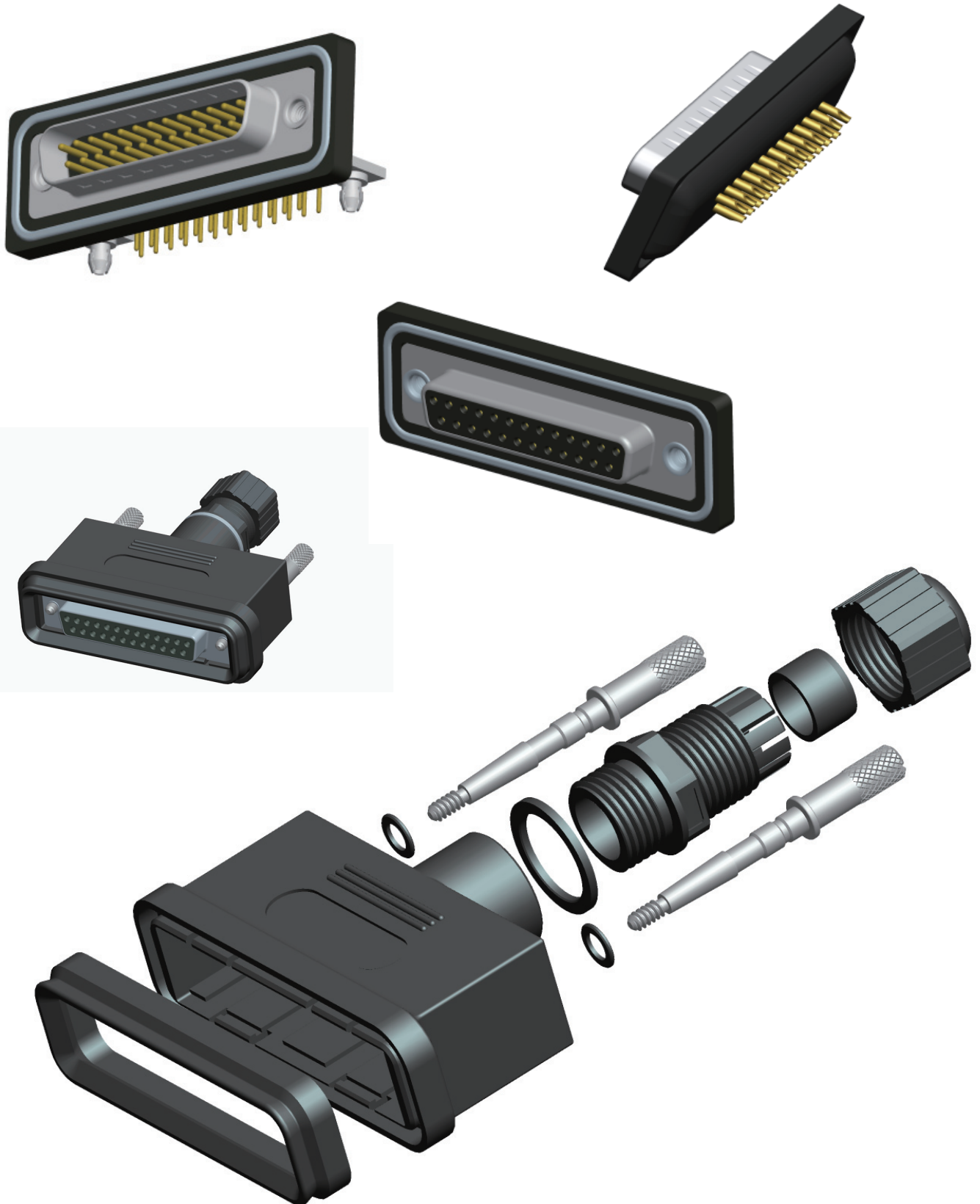


WATERPROOF D-SUB CONNECTOR

MMI



WATERPROOF D-SUB CONNECTOR

SPECIFICATION

STYLE	Standard D-Sub Connector High Density D-SUB Connector Combo D-Sub Connector
CURRENT RATING	Standard D-Sub: 5A High Density D-SUB: 3A ~ 5A
MATERIAL	Contacts: Copper Alloy, Gold Plated Housing: PBT or Zn3# O-Ring: Silicone Epoxy Sealant: Epoxy
TEMPERATURE RANGE	Standard & High Density D-Sub: IP67 Combo D-Sub: IP68
WATERPROOF RATING	Receptacle: -55°C ~ +105°C Field Installable: -55°C ~ +85°C
CONTACT RESISTANCE	30mΩ Max.
INSULATION RESISTANCE	Receptacle: -55°C ~ +105°C Field Installable: -55°C ~ +85°C
DIELECTRIC WITHSTANDING VOLTAGE	1000 VAC

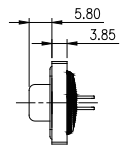
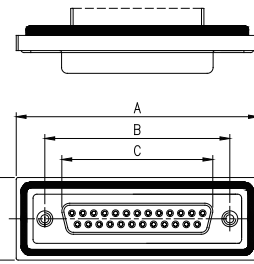
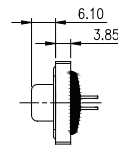
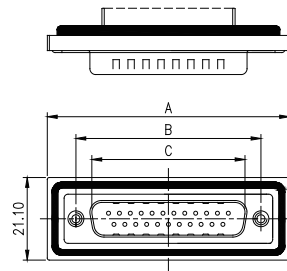
DIMENSION

STANDARD D-SUB

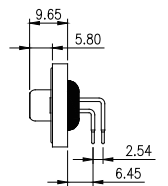
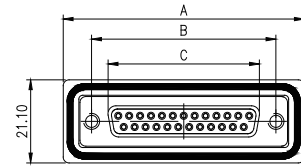
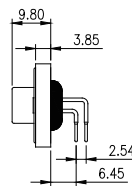
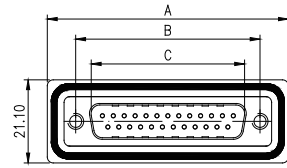
MALE

FEMALE

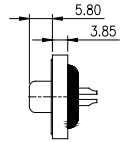
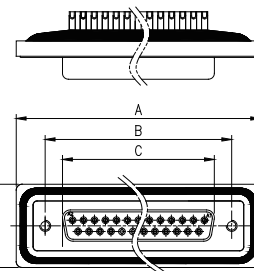
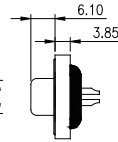
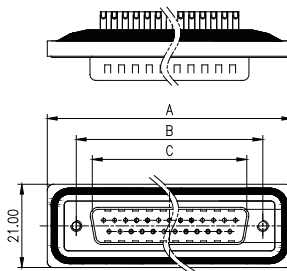
WDB950-P



WDB950-Pa



WDB950-Sc



MATERIAL
 CONTACT: BRASS
 INSULATOR: PBT, UL94V-0 RATED
 SHELL: COLD ROLLER STEEL
 WATERTIGHT FRAME: PBT GF UL94V-0,
 COLOR: BLACK
 O-RING: SILICONE
 EPOXY SEALANT: EPOXY

GENDER		PART NO.	NO. OF CONTACT	A	B	C		
MALE	WDB950-	p	M09Gf-_K	9 PIN	39.50	25.00	16.90	- : FLANGE MOUNTING OPTION 0: #4-40 THREAD HOLE 1: #4-40 THREAD HOLE WITH #4-40UNC SCREWLOCK M3: M3 THREAD HOLE M3S: WITH M3 SCREWLOCK
		Pa	M15Gf-_K	15 PIN	48.00	33.30	25.25	
		Sc	M25Gf-_K	25 PIN	61.50	47.05	38.95	
		Sc	M37Gf-_K	37 PIN	77.80	63.50	55.40	
FEMALE	WDB950-	p	F09Gf-_K	9 PIN	39.50	25.00	16.30	
		Pa	F15Gf-_K	15 PIN	48.00	33.30	24.60	
		Sc	F25Gf-_K	25 PIN	61.50	47.05	38.40	
		Sc	F37Gf-_K	37 PIN	77.80	63.50	54.80	

WATERPROOF D-SUB CONNECTOR

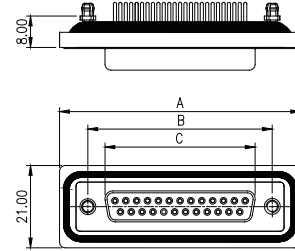
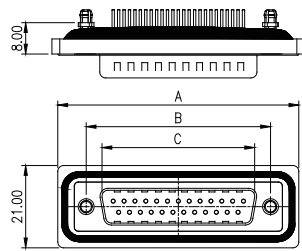
DIMENSION

STANDARD D-SUB

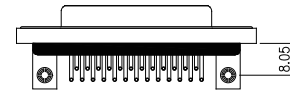
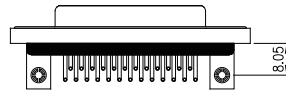
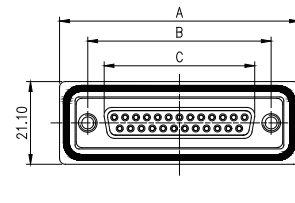
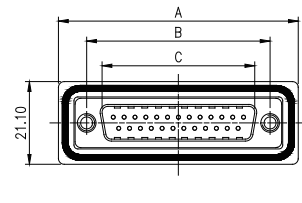
MALE

FEMALE

WDB951-P



WDB961-Pa



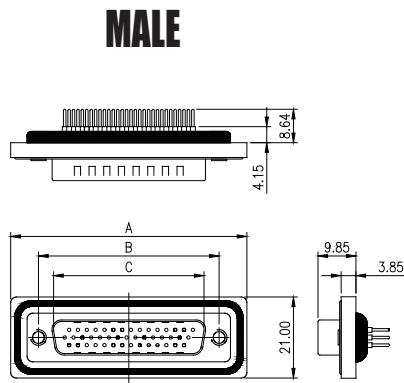
MATERIAL
 CONTACT: BRASS
 INSULATOR: PBT, UL94V-0 RATED
 SHELL: COLD ROLLER STEEL
 METAL WATERTIGHT FRAME: PBT GF
 UL94V-0, COLOR: BLACK
 O-RING: SILICONE
 EPOXY SEALANT: EPOXY

GENDER	PART NO.	NO. OF CONTACT	A	B	C		
MALE	WDB951-P	M09Gf-_K	9 PIN	39.50	25.00	16.90	_ : FLANGE MOUNTING OPTION 0: #4-40 THREAD HOLE 1: #4-40 THREAD HOLE WITH #4-40UNC SCREWLOCK M3: M3 THREAD HOLE M3S: WITH M3 SCREWLOCK
		M15Gf-_K	15 PIN	48.00	33.30	25.25	
	WDB961-Pa	M25Gf-_K	25 PIN	61.50	47.05	38.95	
		M37Gf-_K	37 PIN	77.80	63.50	55.40	
FEMALE	WDB951-P	F09Gf-_K	9 PIN	39.50	25.00	16.30	
		F15Gf-_K	15 PIN	48.00	33.30	24.60	
	WDB961-Pa	F25Gf-_K	25 PIN	61.50	47.05	38.40	
		F37Gf-_K	37 PIN	77.80	63.50	54.80	

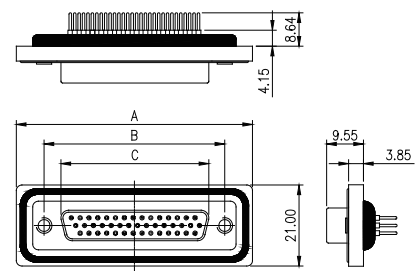
DIMENSION

HIGH DENSITY D-SUB

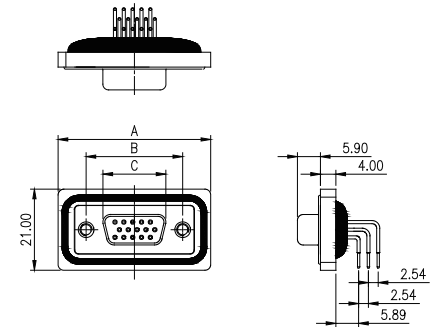
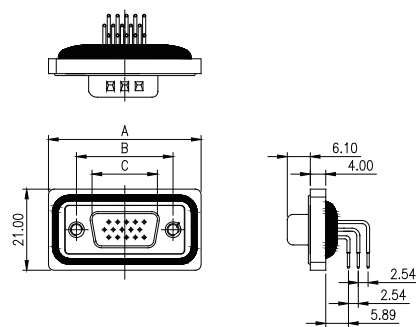
WHDB930P-P



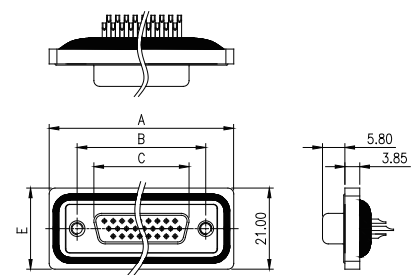
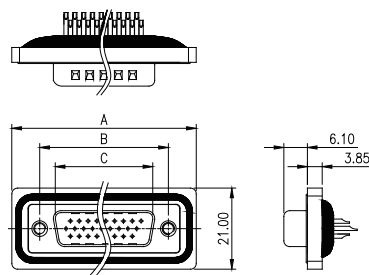
FEMALE



WHDB930P-Pa



WHDB930-Sc



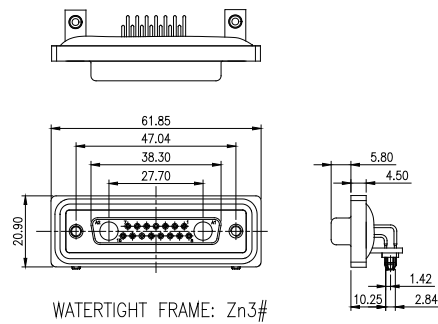
MATERIAL
 CONTACT: BRASS
 INSULATOR: PBT, UL94V-0 RATED
 SHELL: COLD ROLLER STEEL
 WATERTIGHT FRAME: PBT GF UL94V-0,
 COLOR: BLACK
 O-RING: SILICONE
 EPOXY SEALANT: EPOXY

GENDER	PART NO.	NO. OF CONTACT	A	B	C		
MALE	WHDB930P-P	M15Gf-_K	15 PIN	39.50	25.00	16.90	- : FLANGE MOUNTING OPTION 0: #4-40 THREAD HOLE 1: #4-40 THREAD HOLE WITH #4-40UNC SCREWLOCK M3: M3 THREAD HOLE M3S: WITH M3 SCREWLOCK
	WHDB930P-Pa	M26Gf-_K	26 PIN	48.00	33.30	25.25	
	WHDB930-Sc	M44Gf-_K	44 PIN	61.50	47.05	38.95	
		M62Gf-_K	62 PIN	77.80	63.50	55.40	
FEMALE	WHDB930P-P	F15Gf-_K	15 PIN	39.50	25.00	16.30	
	WHDB930P-Pa	F26Gf-_K	26 PIN	48.00	33.30	24.60	
	WHDB930-Sc	F44Gf-_K	44 PIN	61.50	47.05	38.40	
		F62Gf-_K	62 PIN	77.80	63.50	54.80	

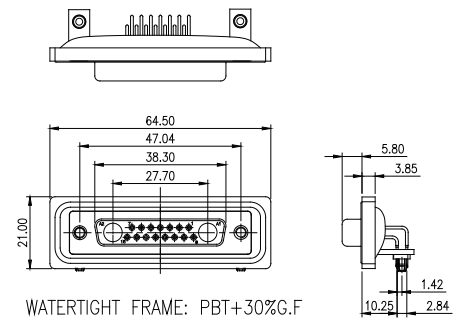
DIMENSION

COMBO D-SUB

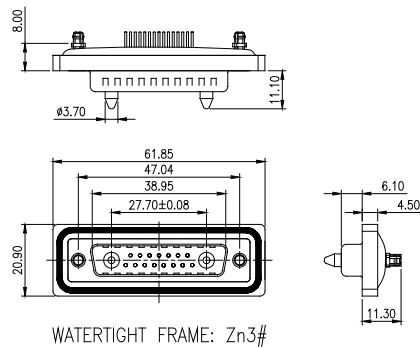
WCDB101-PaF17W2Gf (FRMALE)



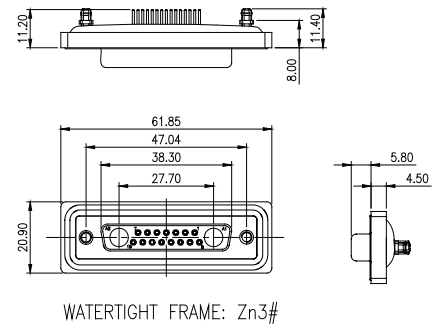
WCDB102-PaF17W2Gf (FRMALE)



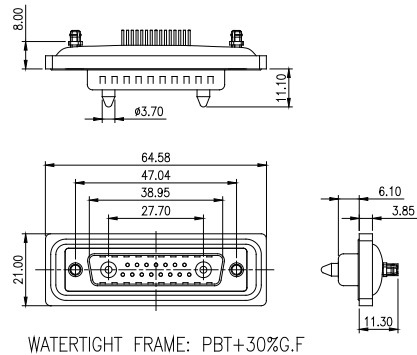
WCDB201-PM17W2Gf (MALE)



WCDB201-PF17W2Gf (FRMALE)



WCDB202-PM17W2Gf (MALE)

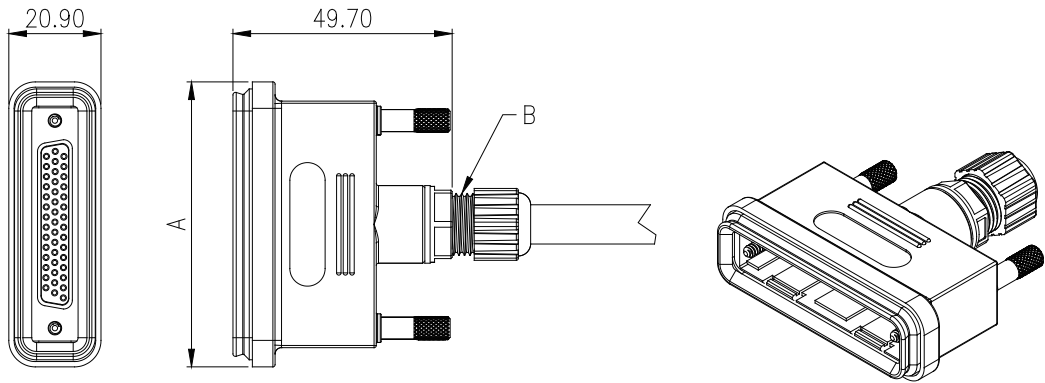


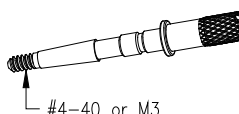
MATERIAL
 CONTACT: BRASS
 INSULATOR: PBT, UL94V-0 RATED
 SHELL: COLD ROLLER STEEL
 O-RING: SILICONE
 EPOXY SEALANT: EPOXY

DIMENSION

FIELD INSTALLABLE

DIMENSION



CONNECTOR	PART NUMBER	DIMENSION		A	B	(H)DBWJ001-XX-X
		NO. OF CONTACTS				
STANDARD D-SUB	DBWJ001-09-_-	9PIN		42.55	M12x1.25	A: SCREW TYPE, #4-40 B: SCREW TYPE, M3 09: 09 PIN 15: 15 PIN 25: 25 PIN 37: 37 PIN 50: 50 PIN
	DBWJ001-15-_-	15PIN		50.87	M13x1.25	
	DBWJ001-25-_-	25PIN		64.59	M14x1.25	
	DBWJ001-37-_-	37PIN		81.05	M15x1.25	
	DBWJ001-50-_-	50PIN		78.85	M18x1.25	
HIGH DENSITY D-SUB	HDBWJ001-15-_-	15PIN		42.55	M12x1.25	 #4-40 or M3
	HDBWJ001-26-_-	26PIN		50.87	M13x1.25	
	HDBWJ001-44-_-	44PIN		64.59	M14x1.25	
	HDBWJ001-62-_-	62PIN		81.05	M15x1.25	
	HDBWJ001-78-_-	78PIN		78.85	M18x1.25	

ASSEMBLY DRAWING

