

8 7 6 5 4 3 2 1  
 VI.1 NOTE: THIS DEVICE IS ROHS COMPLIANT.

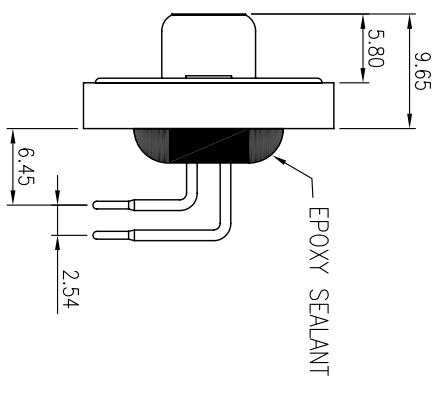
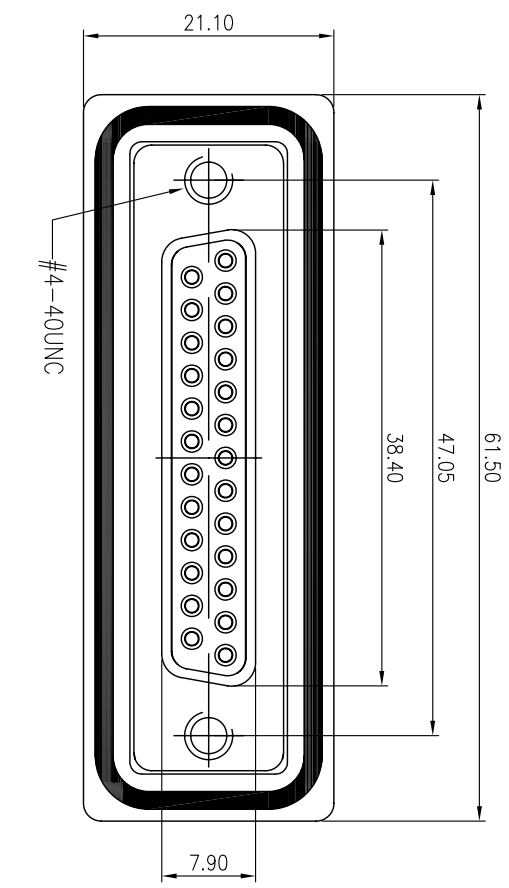
REVISIONS				
SYM	DESCRIPTION	DATE	APPROVED	SYM
Δ				Δ
Δ				Δ

SYM	DESCRIPTION	DATE	APPROVED
Δ			

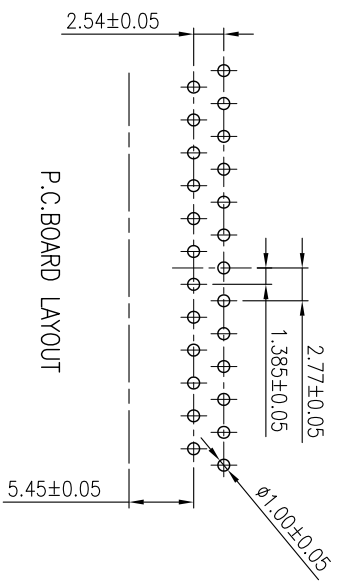
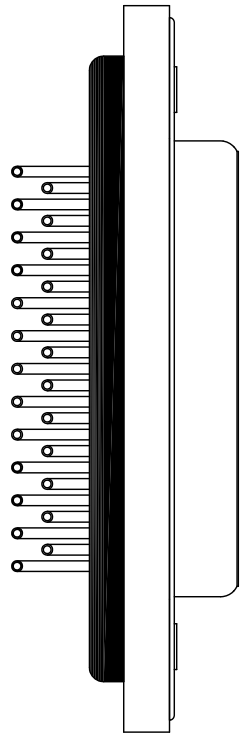
**\*\*CUSTOMER DRAWING FOR REFERENCE ONLY, SAMPLES APPROVAL ARE REQUIRED!!**

				351
--	--	--	--	-----



**MATERIALS AND FINISH**  
 SHELL: STEEL MATERIAL TIN FINISHED  
 INSULATOR: PBT GFJUL 94V-0, BLACK COLOR  
 SIGNAL CONTACT: COPPER ALLOY, COLD FLASH  
 METAL WATERIGHT FRAME: PBT GFJUL 94V-0, BLACK COLOR  
 O-RING: SILICONE  
 EPOXY SEALANT: EPOXY

**ELECTRICAL CHARACTERISTICS**  
 SIGNAL CONTACT CURRENT RATING: 5.0 AMPS  
 SIGNAL CONTACT TESTSTANCE: 10MΩ MAX  
 DIELECTRIC WITHSTANDING VOLTAGE: 1000V FOR 1 MINUTE  
 INSULATION RESISTANCE: 5GΩ MIN  
 TEMPERATURE RATING: -55°C~+105°C  
 DEGREE OF PROTECTION: IP67 ACCORDING TO IEC60529



**ORDER INFORMATION:**  
 WDB950-PdF25GX-KK  
 WDB: WATERPROOF D-SUB CONNECTOR  
 950: SERIES NO.  
 Pg: PCB TYPE, RIGHT ANGLE  
 F: FEMALE  
 25: NO. OF CONTACTS  
 GX: CONTACT PLATING OPTION  
 Gf: GOLD FLASH ON CONTACT  
 G15: 15U" GOLD ON CONTACT  
 G30: 30U" GOLD ON CONTACT  
 X: FLANGE MOUNTING OPTION  
 0: #4-40 THREAD HOLE  
 1: #4-40 THREAD HOLE WITH #4-40UNC SCREWLOCK  
 K: INSULATOR COLOR, BLACK

TOLERANCES UNLESS OTHERWISE SPECIFIED		SIGNATURES		DATE	MODEL
±0.25		DRAWN	AARON	09/NOV/10'	TITLE
		CHECKED	PEGGY	09/NOV/10'	D-SUB WATERPROOF CONN.
SYMBOL	UNIT	SCALE	APPROVALS		NO.
Δ	mm	2/1			WDB950-PdF25GX-K

**MMT CORPORATION**