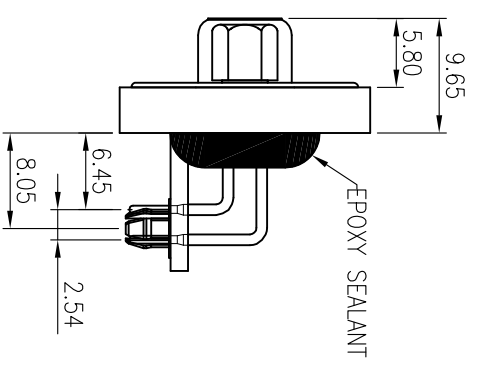
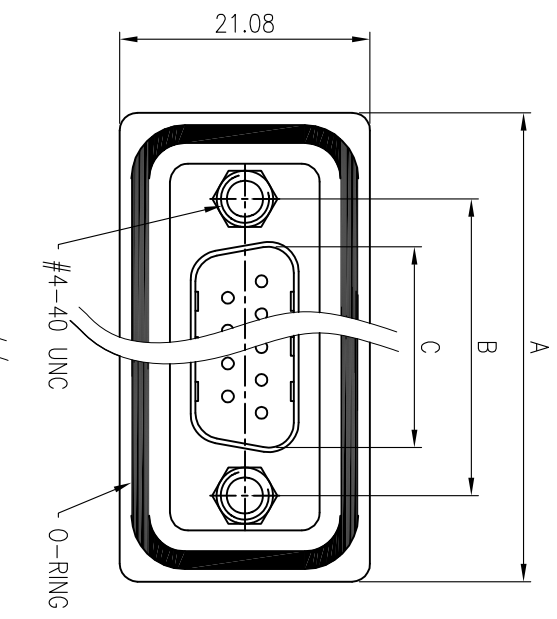


8 7 6 5 4 3 2 1
 VI.1 NOTE: THIS DEVICE IS ROHS COMPLIANT.

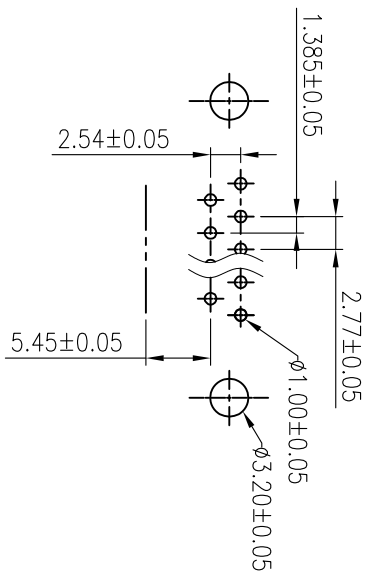
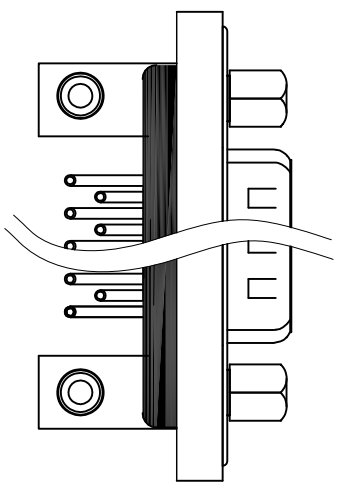


REVISIONS		2		1		
SYM	DESCRIPTION	DATE	APPROVED	SYM	DATE	APPROVED
Δ				Δ		
Δ						

****CUSTOMER DRAWING FOR REFERENCE ONLY, SAMPLES APPROVAL ARE REQUIRED!!**

351

- NOTES:
- MATERIAL:
 - HOUSING:THERMOPLASTIC UL94V-0 BLACK;
 - TERMINAL:BRASS;
 - SHELL: COLD ROLLER STEEL;
 - METAL WATERTIGHT FRAME:PBT 94V-0,BLACK COLOR;
 - O-RING:SILICONE;
 - EPOXY SEALANT:EPOXY;
 - SPECIFICATION:
 - CURRENT RATING:3.0A MAX PER PIN;
 - CONTACT RESISTANCE(LOW LEVEL):10mOHM MAX;INITIAL;
 - INSULATION RESISTANCE:5000M OHM MIN;INITIAL;
 - DIELECTRIC WITHSTANDING VOLTAGE:1000VAC;
 - OPERATING TEMPERATURE -25°C TO +85°C;
 - DEGREE OF PROTECTION IP67 ACCORDING TO IDC60529



P.C. BOARD LAYOUT

PART NO	A	B	C
WDB962-PdM09G--K	39.50	25.00	16.90
WDB962-PdM15G--K	48.00	33.30	25.25
WDB962-PdM25G--K	61.50	47.05	38.95
WDB962-PdM37G--K	77.80	63.50	55.40

TOLERANCES UNLESS OTHERWISE SPECIFIED ±0.25		SIGNATURES		DATE		MODEL	
SYMBOL	UNIT	SCALE	DRAWN	CHECKED	APPROVALS	TITLE	NO.
Δ	mm	1/1	ABER	ARRON		D-SUB WATERPROOF CONN.	
						WDB962-PdM--G--K	

MMT CORPORATION

TEL:(510)979-2188

www.mmtmachine.com

FAX:(510)979-2189