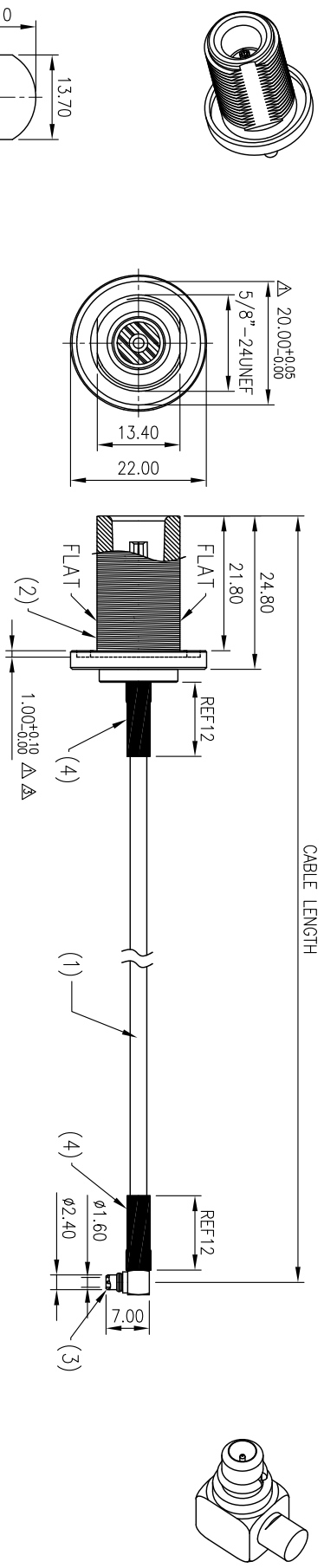


		REVISIONS					
SYM	DESCRIPTION	DATE	APPROVED	SYM	DESCRIPTION	DATE	APPROVED
Δ	DIMENSION MODIFY	22/OCT/20	ABER	Δ	MODIFY DIMENSION	30/JUL/21	AARON
Δ	ADD NOTE	23/FEB/21	AARON	Δ			

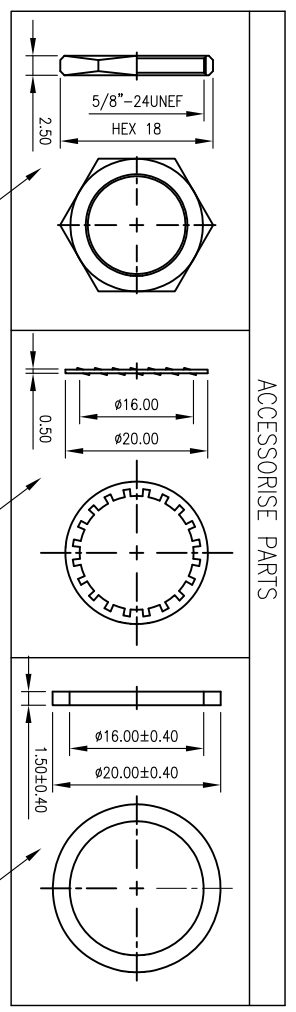
****CUSTOMER DRAWING FOR REFERENCE ONLY, SAMPLES APPROVAL ARE REQUIRED!!**

090

Δ NOTE: Minimum Bend Radius: 5 x OD (Coaxial Fixed Cable based on IPC 620C)



REFERENCE MOUNTING HOLES



ACCESSORISE PARTS

NO	DESCRIPTION	QTY
7	NUT	1
6	TOOTH WASHER	1
5	GASKET RED, MMT# ORING-201042 Δ	1
4	SHRINK TUBE Ø3-3.5mm BLACK	2
3	CN N J BLK 2-FLAT 21.8mm NI FOR IP67(NNS JUSC504PN-EB)	1
2	CN MMCX R/A PLUG FOR SF405	1
1	COAXIAL CABLE SEMI-FLEX 405 BLUE	1

ORDER INFORMATION:
 CA741bw-XXXdFFSF405MM-61
 CA: CABLE ASSEMBLY
 741bw: SERIES NO.
 7: COAXIAL CABLE
 41b: CN1 CONNECTOR TYPE,
 N JACK 2-FLAT 21.80mm BLK
 w: WATERPROOF
 XXXd: CABLE LENGTH, XXXmm
 FF: CN1 CONTACT TYPE: FEMALE HEAD, FEMALE PIN
 SF405: SEMI-FLEX 405 COAXIAL CABLE
 MM: CN2 CONTACT TYPE: MALE HEAD, MALE PIN
 61: CN2 CONNECTOR TYPE, MMCX R/A PLUG

TOLERANCES UNLESS OTHERWISE SPECIFIED ±0.25		SIGNATURES		DATE		MODEL			
SYMBOL	UNIT	SCALE	CHECKED	APPROVALS	DRAWN	ABER	19/SEP/19	TITLE	COAXIAL CABLE ASSEMBLY
Δ	mm	1/1	AARON				19/SEP/19	NO.	CA741bw-XXXdFFSF405MM-61

MMT CORPORATION