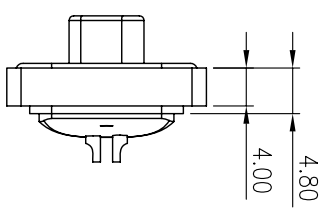
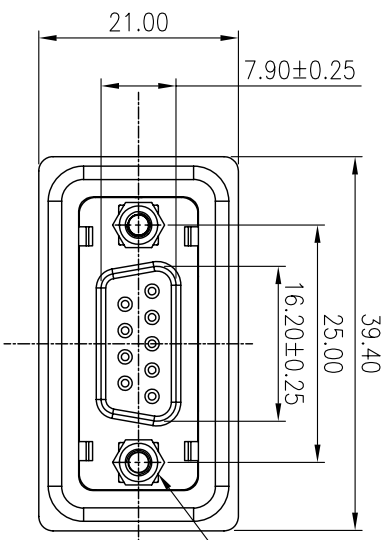
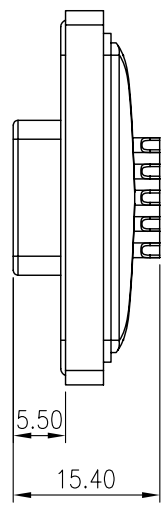


8 7 6 5 4 3 2 1
 VI.1 NOTE: THIS DEVICE IS ROHS COMPLIANT.



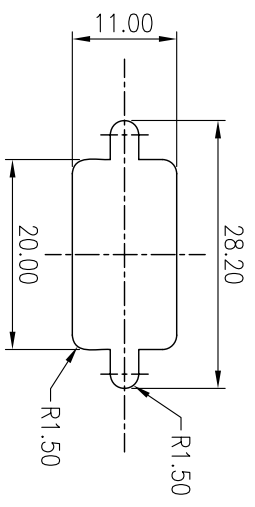
REVISIONS				
SYM	DESCRIPTION	DATE	APPROVED	SYM
Δ				Δ
Δ				Δ

****CUSTOMER DRAWING FOR REFERENCE ONLY, SAMPLES APPROVAL ARE REQUIRED!!**

DATE	DESCRIPTION	DATE	APPROVED

PANEL THICKNESS
 X(MAX.)

SCREW L = 5.0 FOR PANEL THICKNESS UNDER 1.2mm
 SCREW L = 6.0 FOR PANEL THICKNESS BETWEEN 1.2~2.0mm

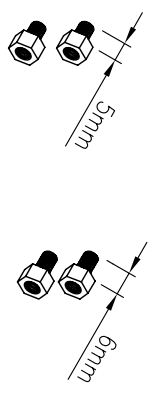
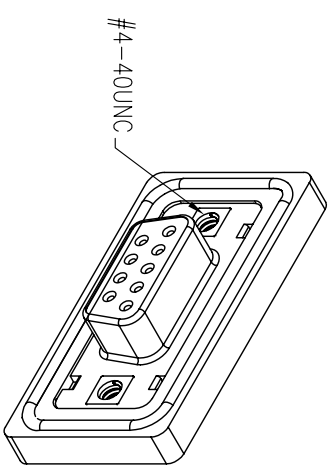


RECOMMENDED PANEL CUT OUT

NOTE:
 WATERPROOF RATE: IP68

MATERIAL HOUSING: THERMAL PLASTIC UL94 V-0
 CORE COLOR: BLACK
 CONTACT: COPPER ALLOY, GOLD PLATED
 RING: SILICONE, COLOR: RED
 SCREW: #4-40UNC, NICKEL PLATED

ORDER INFORMATION:
 DB460-ScF09Gf-X
 DB: D-SUB CONNECTOR
 460: SERIES NO.
 Sc: SOLDER TYPE
 F: FEMALE
 09: NO. OF PIN
 Gf: GOLD FLASH OVER ALL
 X: MOUNTING OPTION
 b: WITH 4#-40UNC THREAD INSERT GROUNDING BRACKET
 L1: WITH 4#-40UNC HEX NUT(5mm) IN THE FRONT THE SHELL
 L2: WITH 4#-40UNC HEX NUT(6mm) IN THE FRONT THE SHELL



TOLERANCES UNLESS OTHERWISE SPECIFIED		SIGNATURES		DATE		MODEL	
SYMBOL	UNIT	SCALE	DRAWN	CHECKED	APPROVALS	TITLE	
Δ	mm	1/1	AARON	PEGGY		D-SUB CONNECTOR	
						DB460-ScF09Gf-X	

MMT CORPORATION