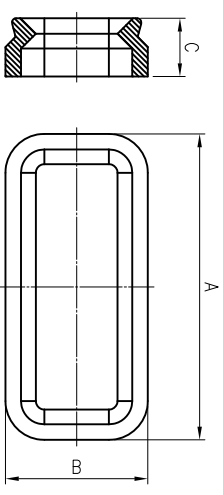
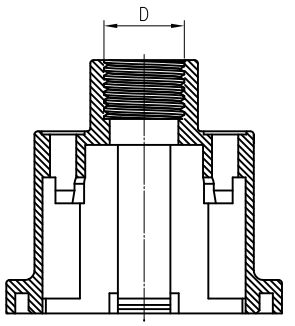
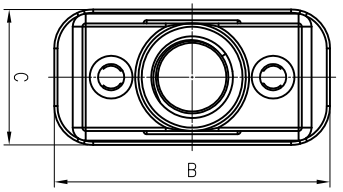
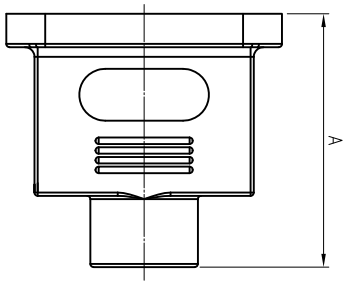


		REVISIONS					
SYM	DESCRIPTION	DATE	APPROVED	SYM	DESCRIPTION	DATE	APPROVED
Δ				Δ			
Δ				Δ			

****CUSTOMER DRAWING FOR REFERENCE ONLY, SAMPLES APPROVAL ARE REQUIRED!!**

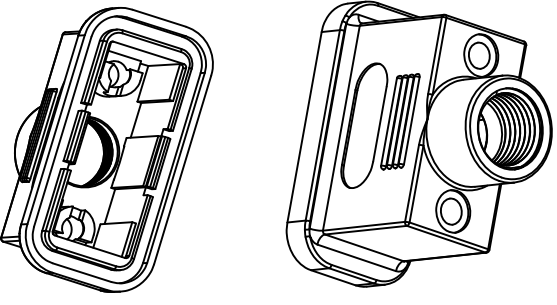
							351
--	--	--	--	--	--	--	-----



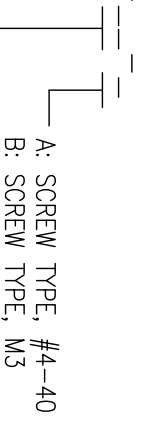
SOFT RUBBER 2

COVER				
ITEM	A	B	C	D
15PIN	39.10	42.55	20.90	M12x1.25
26PIN	39.10	50.87	20.90	M13x1.25
44PIN	39.10	64.59	20.90	M14x1.25
62PIN	39.10	81.05	20.90	M15x1.25
78PIN	39.10	78.85	23.90	M18x1.25

SOFT RUBBER			
ITEM	A	B	C
15PIN	39.35	18.30	7.50
26PIN	47.67	18.30	7.50
44PIN	61.39	18.30	7.50
62PIN	77.85	18.30	7.50
78PIN	75.65	21.30	7.50



HDBWJ001 -



MATERIAL: ABS+PC

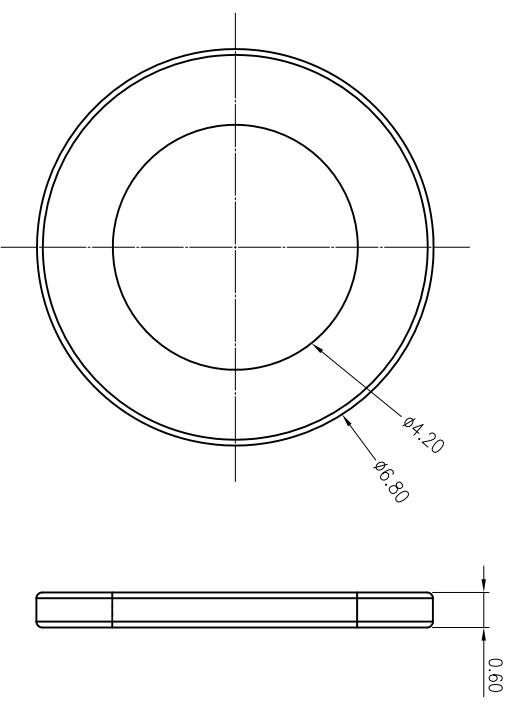
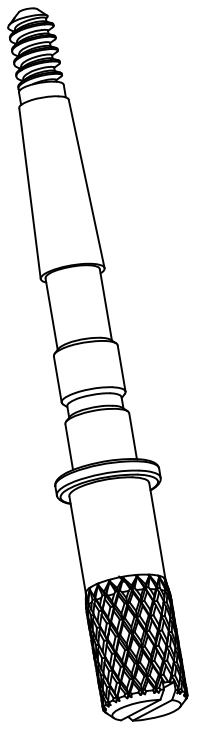
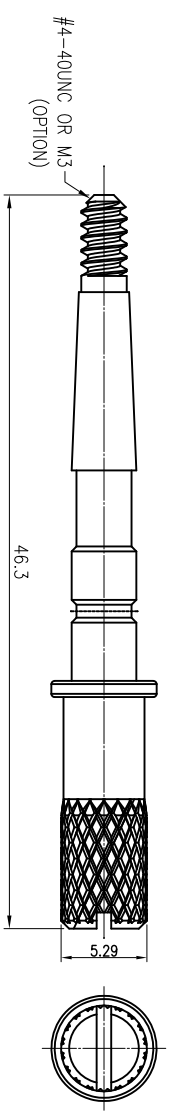
TOLERANCES UNLESS OTHERWISE SPECIFIED		SIGNATURES		DATE		MODEL	
±0.38		DRAWN	AARON	23/FEB/12'	TITLE		HD-SUB WATERPROOF JACKET
SYMBOL		CHECKED	PEGGY	23/FEB/12'	NO.		HDBWJ001 -
UNIT	SCALE	APPROVALS					
mm	1/1						

MMT CORPORATION

		REVISIONS					
SYM	DESCRIPTION	DATE	APPROVED	SYM	DESCRIPTION	DATE	APPROVED
Δ				Δ			
Δ				Δ			

**CUSTOMER DRAWING FOR REFERENCE ONLY, SAMPLES APPROVAL ARE REQUIRED!!

351



WASHER 2 (X2)

MATERIAL
 BODY: GLASS FILLED THERMOPLASTIC.
 FLAME RETARDANT TO UL 94V-0, COLOR BLACK.
 SCREWS: BRASS 100U" MIN SN OVER 50U" MIN NICKEL.
 CLIMATIC: TEMPERATURE RANGE -55°C~85°C.
 WATERPROOF RATE: IP67

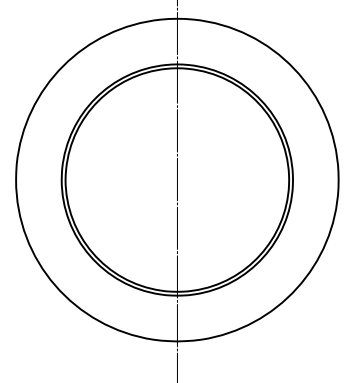
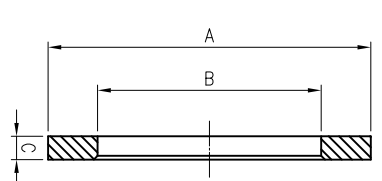
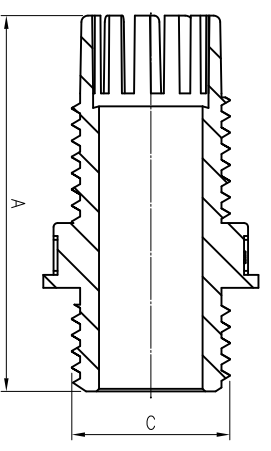
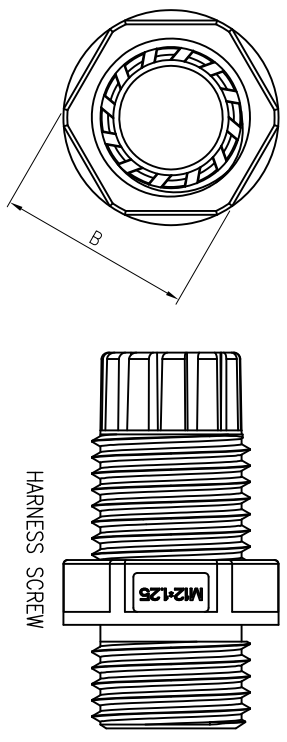
TOLERANCES UNLESS OTHERWISE SPECIFIED		SIGNATURES		DATE		MODEL	
±0.38		DRAWN	AARON	23/FEB/12'	TITLE	HD-SUB WATERPROOF JACKET	
SYMBOL	UNIT	CHECKED	PEGGY	23/FEB/12'	NO.	HDBWJ001	
Δ	mm	APPROVALS					

MMT CORPORATION

		REVISIONS					
SYM	DESCRIPTION	DATE	APPROVED	SYM	DESCRIPTION	DATE	APPROVED
Δ				Δ			
Δ				Δ			

****CUSTOMER DRAWING FOR REFERENCE ONLY, SAMPLES APPROVAL ARE REQUIRED!!**

351



HARNNESS SCREW			
ITEM	A	B	C
15PIN	29.00	15.00	M12x1.25
26PIN	29.00	15.00	M13x1.25
44PIN	29.00	15.90	M14x1.25
62PIN	29.00	18.60	M15x1.25
78PIN	29.00	19.50	M18x1.25

WASHER 1			
ITEM	A	B	C
15PIN	ø16.6	ø11.5	1.20
26PIN	ø16.6	ø12.5	1.20
44PIN	ø17.6	ø13.5	1.20
62PIN	ø18.6	ø14.5	1.20
78PIN	ø21.6	ø17.3	1.20

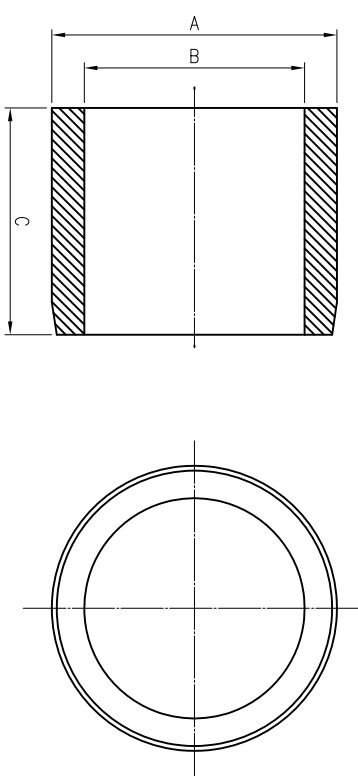
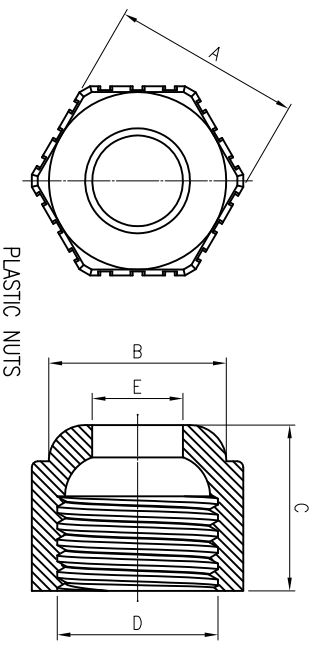
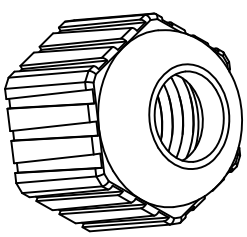
MATERIAL: ABS+PC

TOLERANCES UNLESS OTHERWISE SPECIFIED		SIGNATURES		DATE		MODEL	
±0.38		DRAWN	AARON	23/FEB/12'	TITLE		HD-SUB WATERPROOF JACKET
CHECKED	PEGGY	23/FEB/12'	NO.		HDBWJ001-		
SYMBOL	UNIT	SCALE	APPROVALS	MMT CORPORATION			
Δ	mm	1/1					

		REVISIONS			
SYM	DESCRIPTION	DATE	APPROVED	SYM	DESCRIPTION
Δ				Δ	
Δ				Δ	

****CUSTOMER DRAWING FOR REFERENCE ONLY, SAMPLES APPROVAL ARE REQUIRED****

					351
--	--	--	--	--	-----



PLASTIC NUTS					
ITEM	A	B	C	D	E
15PIN	14.60	13.50	12.80	M12x1.25	6.85
26PIN	15.20	13.80	12.80	M13x1.25	7.50
44PIN	16.30	14.30	12.80	M14x1.25	8.90
62PIN	17.30	15.30	12.80	M15x1.25	9.85
78PIN	21.80	20.60	12.80	M18x1.25	11.65

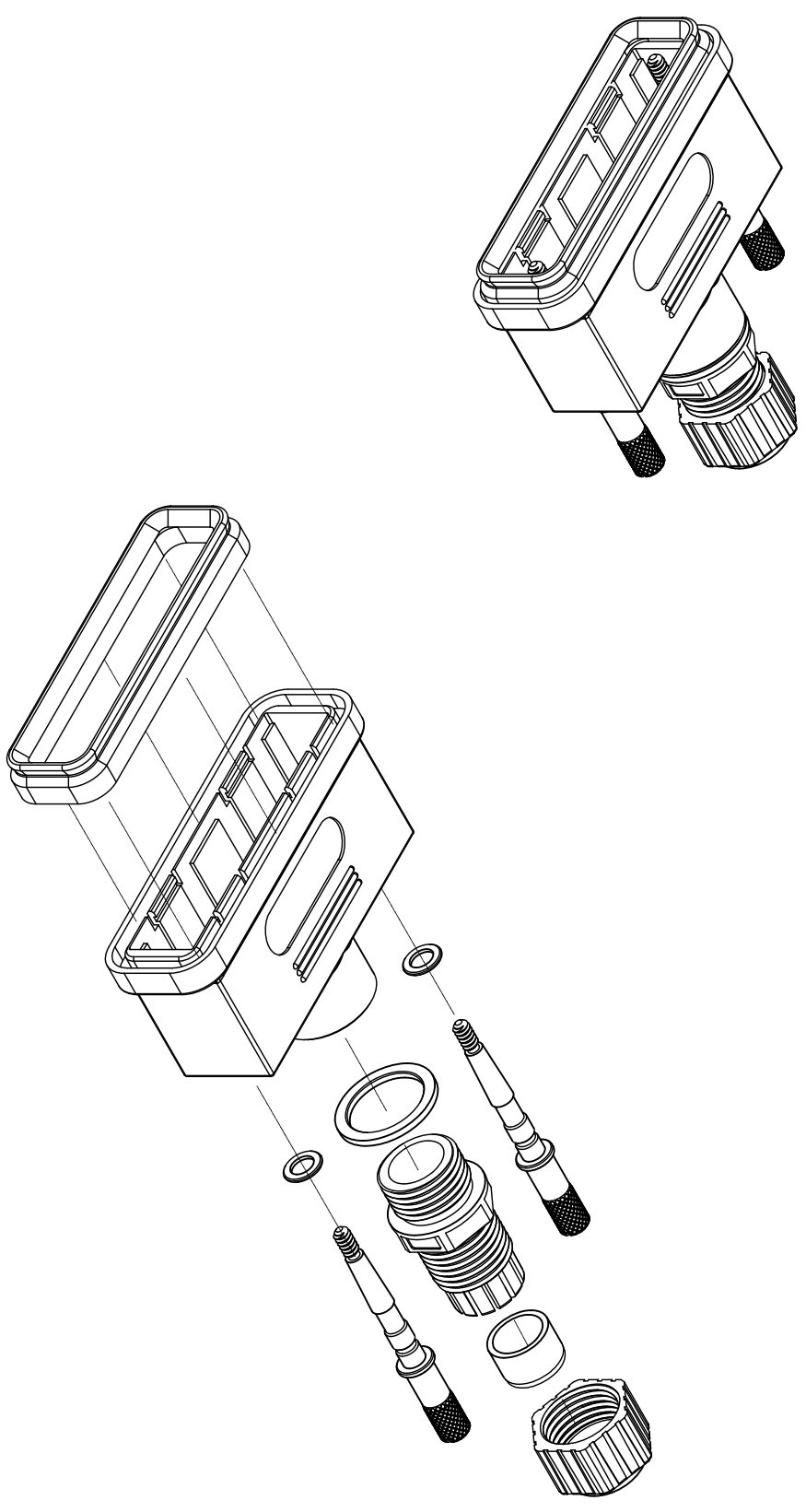
SOFT RUBBER			
ITEM	A	B	C
15PIN	8.80	6.80	7.00
26PIN	9.80	7.80	7.00
44PIN	10.80	8.80	7.00
62PIN	11.80	9.80	7.00
78PIN	13.80	11.80	7.00

MATERIAL: ABS+PC

TOLERANCES UNLESS OTHERWISE SPECIFIED ±0.38		SIGNATURES		DATE		MODEL	
DRAWN	AARON			23/FEB/12'		HD-SUB WATERPROOF JACKET	
CHECKED	PEGGY			23/FEB/12'			
SYMBOL	UNIT	SCALE	APPROVALS			NO. HDBWJ001- -- --	
Δ	mm	1/1					

MMT CORPORATION

		REVISIONS			
SYM	DESCRIPTION	DATE	APPROVED	SYM	DESCRIPTION
Δ				Δ	
Δ				Δ	
**CUSTOMER DRAWING FOR REFERENCE ONLY, SAMPLES APPROVAL ARE REQUIRED!!					



TOLERANCES UNLESS OTHERWISE SPECIFIED		SIGNATURES		DATE		MODEL	
±0.25		DRAWN	ALAN	23/DEC/14'		TITLE	DB ASSEMBLY DRAWING
mm		CHECKED	AARON	23/DEC/14'		WATERPROOF	
Δ		APPROVALS				NO.	DBWJ
UNIT	SCALE	MMT CORPORATION					
4/1							