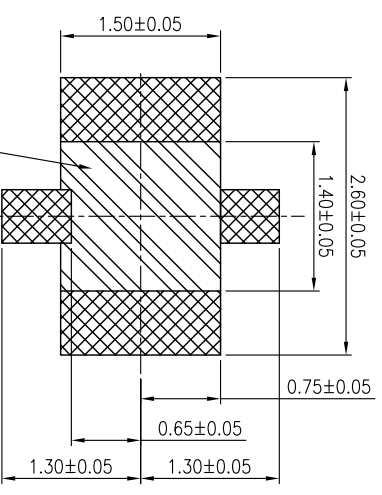
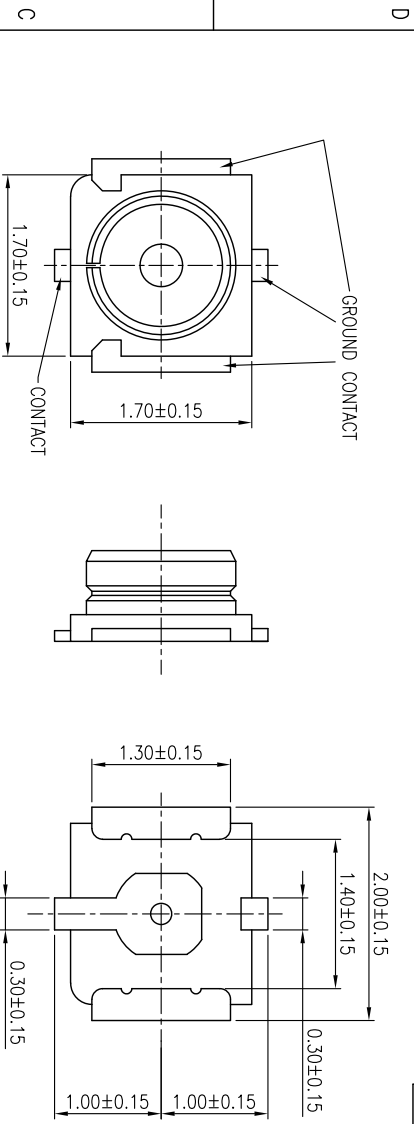


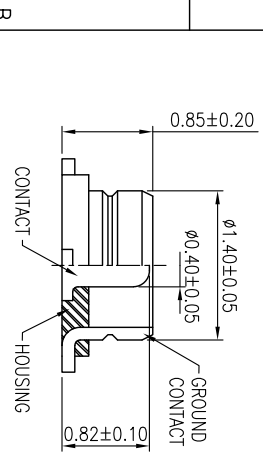
		REVISIONS					
SYM	DESCRIPTION	DATE	APPROVED	SYM	DESCRIPTION	DATE	APPROVED
Δ				Δ			
Δ				Δ			

**\*\*CUSTOMER DRAWING FOR REFERENCE ONLY, SAMPLES APPROVAL ARE REQUIRED!!**

090

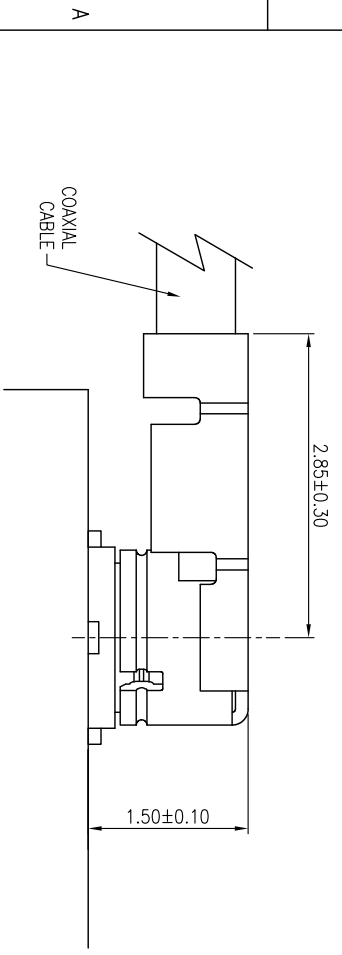


RECOMMENDED FOOTPRINT PATTERN



**MATERIAL:**  
 HOUSING: LCP (GF=30%), UL94V-0, BLACK  
 CONTACT: BRASS, Au OVER Ni  
 GROUND CONTACT: PHOSPHOR BRONZE, Au OVER Ni

**ORDER INFORMATION:**  
 IRC010-PtGfG  
 IRC: I-PEX RECEPTACLE CONNECTOR  
 010: SERIES NO. I-PEX III  
 Pt: PCB TYPE, SURFACE MOUNT  
 Gf: CONTACT PLATING, GOLD FLASH  
 G: BODY PLATING, GOLD PLATED



TOLERANCES UNLESS OTHERWISE SPECIFIED		SIGNATURES		DATE		MODEL	
±0.25		DRAWN	AARON	20/JAN/11'	TITLE	I-PEX III	RECEPTACLE
Δ	mm	CHECKED	UNA	20/JAN/11'	NO.	IRC010-PtGfG	

MMT CORPORATION