

SYM		DISCRIPTION	DATE	APPROVED	SYM	DISCRIPTION	DATE	APPROVED
△	REVISE DRAWING		02/JUL/12	AARON	△	ADD OPERATING TEMP.	27/AUG/19	AARON
△	REVISE DRAWING		02/MAR/15	ALAN	△	MODIFY THE BOTTOM FEATURES OF HOUSING	20/NOV/20	AARON

****CUSTOMER DRAWING FOR REFERENCE ONLY, SAMPLES APPROVAL ARE REQUIRED!!**

121

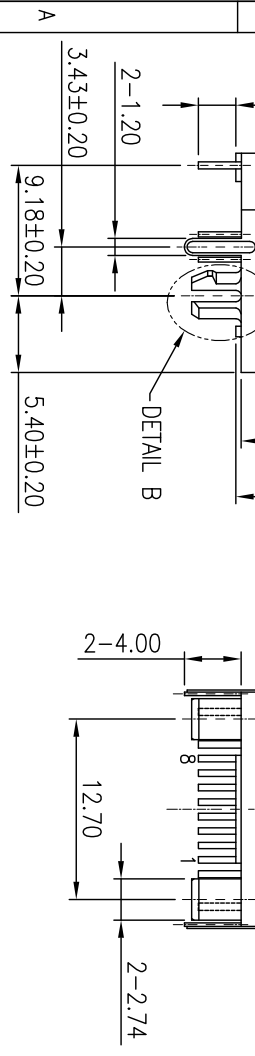
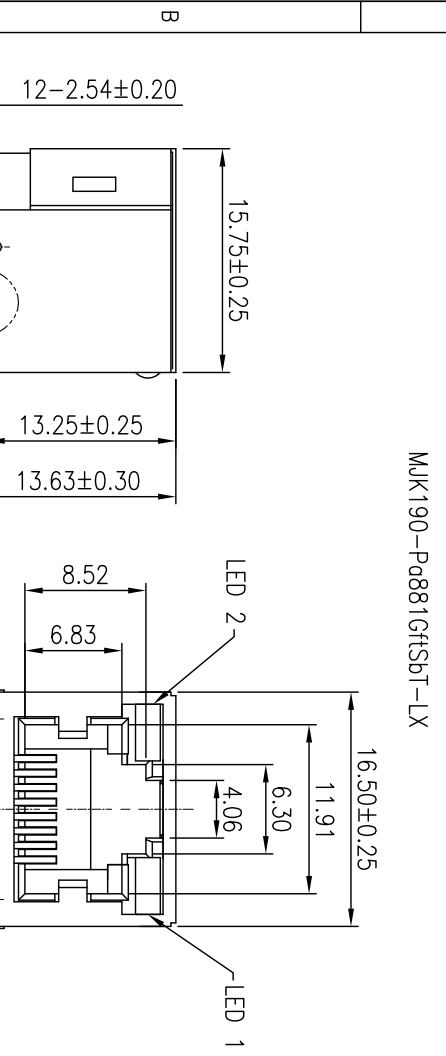
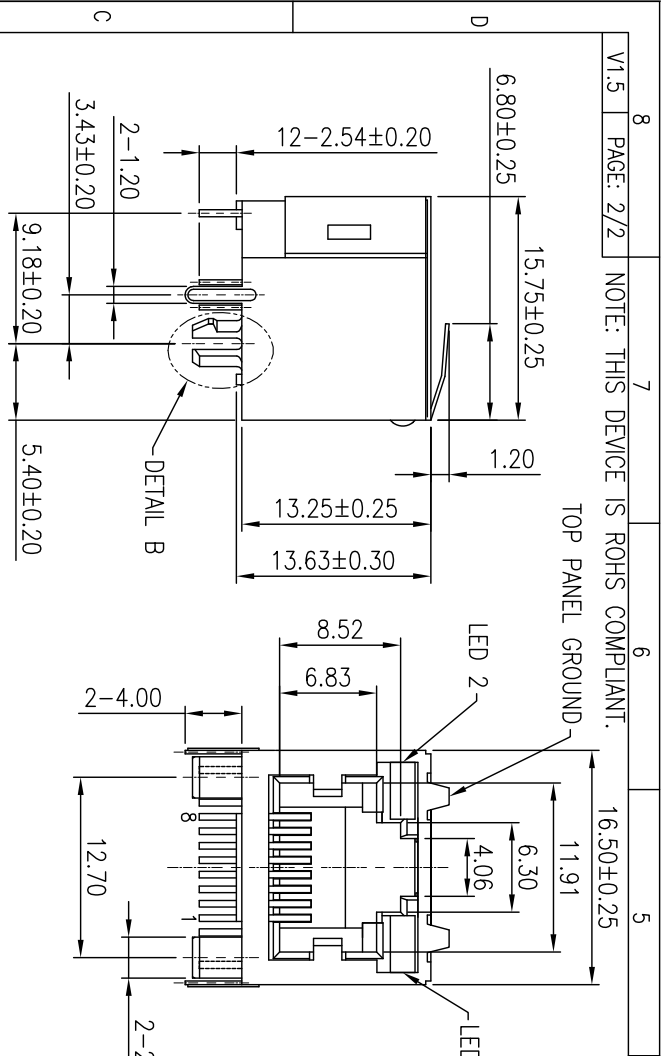
MATERIALS:
 HOUSING: DSM STANNYL TE250F6 (NYLON-46)
 HEAT DEFLECTION TEMP 290°
 BLACK COLOR, U194V-0
 CONTACTS: 0.35MM THICK PHOS-BRONZE PLATED WITH HARD GOLD AND GOLD FLASH IN SOLDER AREA
 SHIELD: 0.25MM THICK COPPER ALLOY, PLATED WITH NICKEL.
 OPERATING TEMPERATURE: -40°C TO 85°C

ORDER INFORMATION:
 MJK190-P0881GXX-LX
 MJK: MODULAR JACK
 190: SERIES NO.
 P: TERMINAL TYPE, PGB TYPE, RIGHT ANGLE
 88: NO. OF CONTACT, 8P8C
 1: COLOR OF PLASTIC, BLACK
 GX: CONTACT PLATING OPTION
 Gf: GOLD FLASH
 G15: 15u"GOLD ON CONTACT
 G30: 30u"GOLD ON CONTACT
 G50: 50u"GOLD ON CONTACT
 X: TAB OPTION
 S: SHIELDING WITHOUT PANEL GROUNDING TAB
 Sp: SHIELDED WITH PANEL GROUNDING TAB
 Spt: SHIELDED WITH TOP TAB
 LX : LED OPTION (SEE TABLE)

TOLERANCES UNLESS OTHERWISE SPECIFIED		SIGNATURES		DATE		TITLE		MODEL	
±0.25		DRAWN	FREDERICK	11/MAY/05			MODULAR JACK		
		CHECKED	SAM	11/MAY/05					
		APPROVALS							

MMT CORPORATION

REVISIONS		1	2	3	4
SYM	DISCRIPTION	DATE	APPROVED	SYM	DISCRIPTION
△	REVISE DRAWING	02/JUL/12	AARON	△	ADD OPERATING TEMP.
△	REVISE DRAWING	02/MAR/15	ALAN	△	MODIFY THE BOTTOM FEATURES OF HOUSING
**CUSTOMER DRAWING FOR REFERENCE ONLY, SAMPLES APPROVAL ARE REQUIRED!!					121



RECOMMENDED PCB LAYOUT
TOLERANCE: ±0.05 (TOP VIEW)

LED TYPE	LED 2	LED 1
L1	YELLOW	GREEN
L2	GREEN	GREEN
L3	GREEN	YELLOW
L5	GREEN	RED
L6	B-COLOR 6/10	YELLOW
L7	YELLOW	YELLOW
L8	B-COLOR 6/7	B-COLOR 6/7
L9	YELLOW	B-COLOR 6/0
L10	B-COLOR 6/6	YELLOW
L11	B-COLOR 6/7	GREEN
L12	GREEN	B-COLOR 6/7
L13	GREEN	B-COLOR 6/0
L20	YELLOW	GREEN
L23	GREEN	GREEN
L0	GREEN	YELLOW
L1	GREEN	YELLOW
L2	YELLOW	GREEN
L7	YELLOW	B-COLOR 6/7
LH	B-COLOR 7/6	GREEN
LG	RED	GREEN

TOLERANCES UNLESS OTHERWISE SPECIFIED		SIGNATURES		DATE		MODEL	
±0.25		DRAWN	FREDERICK	11/MAY/05		TITLE	MODULAR JACK
mm		CHECKED	SAM	11/MAY/05		NO.	MJK190-Pd881G--L
SCALE	2/1	APPROVALS					