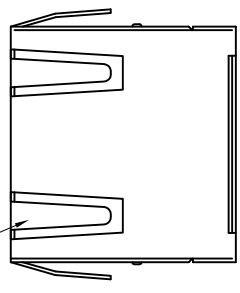
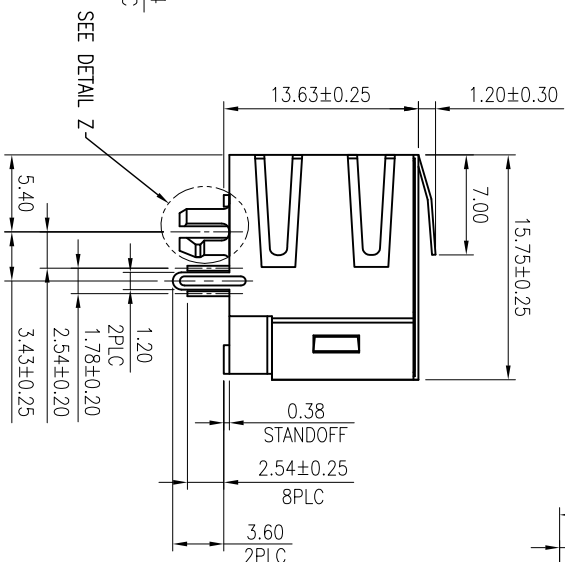
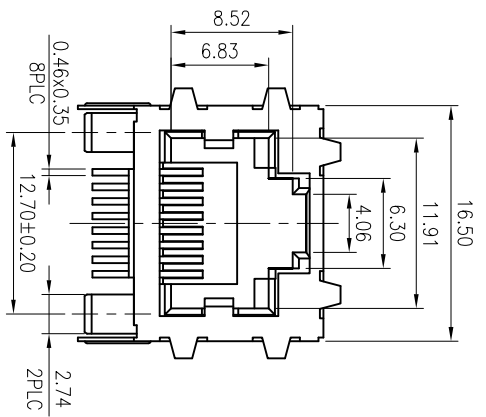


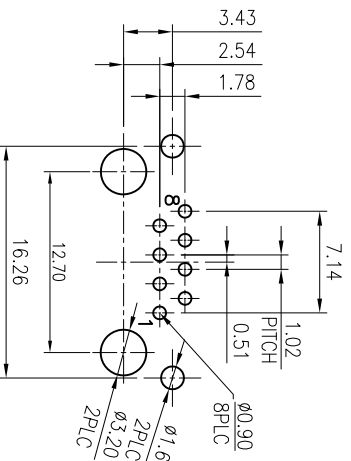
VI.5 NOTE: THIS DEVICE IS ROHS COMPLIANT.



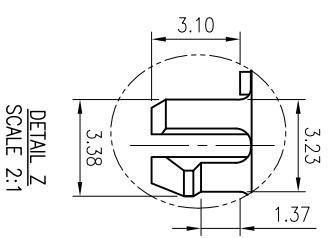
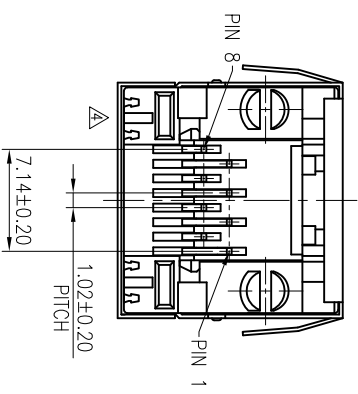
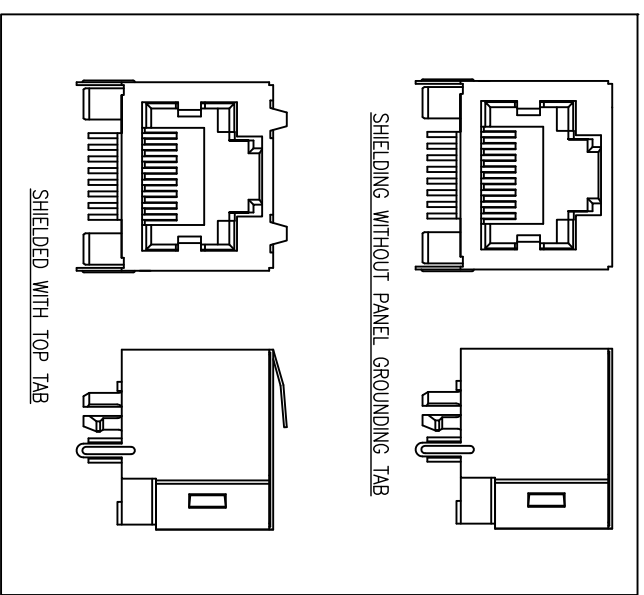
TOP PANEL GROUNDING TAB



SEE DETAIL Z



RECOMMENDED P.C.B. LAYOUT
PCB THICKNESS: 1.6mm
TOLERANCE: ±0.05(TOP VIEW)



		REVISIONS					
SYM	DESCRIPTION	DATE	APPROVED	SYM	DESCRIPTION	DATE	APPROVED
△	REVISE VERSION	13/DEC/08	AARON	△	REVISE DRAWING	21/JUL/20	ABER
△	REVISE DRAWING	23/DEC/14	AARON	△	MODIFY THE BOTTOM FEATURES OF HOUSING	20/NOV/20	AARON
**CUSTOMER DRAWING FOR REFERENCE ONLY, SAMPLES APPROVAL ARE REQUIRED!!!							121

MATERIALS:
HOUSING: PA46, WITH GLASS FIBER, UL94V-0, STANDARD COLOR: BLACK.
INSERT HOUSING: PA46, WITH GLASS FIBER, UL94V-0, STANDARD COLOR:BLACK
CONTACTS: PH05-BRONZE.
SHIELD: BRASS

FINISH:

CONTACTS: GOLD PLATED ON CONTACT AREA, GOLD FLASH PLATED ON SOLDER TAIL, WITH ENTIRE CONTACT UNDERPLATED 1.27um [50u]MIN. NICKEL
SHELL: 0.508um[20u]MIN. NICKEL PLATED

ORDER INFORMATION:
MJK190-Pd881GX
MJK: MODULAR JACK
190: SERIES NO.
Pd: TERMINAL TYPE, PCB TYPE, RIGHT ANGLE
88: NO. OF CONTACT, 8P8C
1: COLOR OF PLASTIC, BLACK
GX: CONTACT PLATING OPTION
Gf: GOLD FLASH
G15: 15u" GOLD ON CONTACT
G30: 30u" GOLD ON CONTACT
G50: 50u" GOLD ON CONTACT
X: TAB OPTION
S: SHIELDING WITHOUT PANEL GROUNDING TAB
Sp: SHIELDED WITH PANEL GROUNDING TAB
Spt: SHIELDED WITH TOP TAB

TOLERANCES UNLESS OTHERWISE SPECIFIED ±0.30		SIGNATURES		DATE		MODEL			
SYMBOL	UNIT	SCALE	CHECKED	APPROVALS	DRAWN	Federick	11/MAY/05	TITLE	MODULAR JACK
△	mm	4/1	Sam				11/MAY/05	NO.	MJK190-Pd881G_

MMT CORPORATION

TEL:(510)979-2188

www.mmtmachrone.com

FAX:(510)979-2189