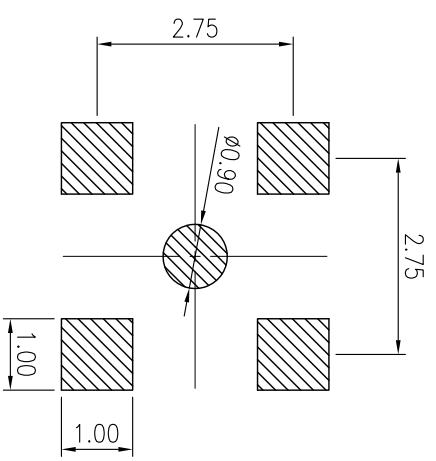
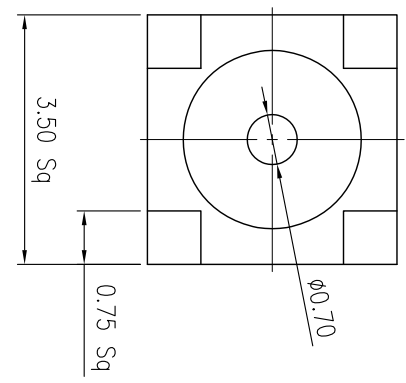
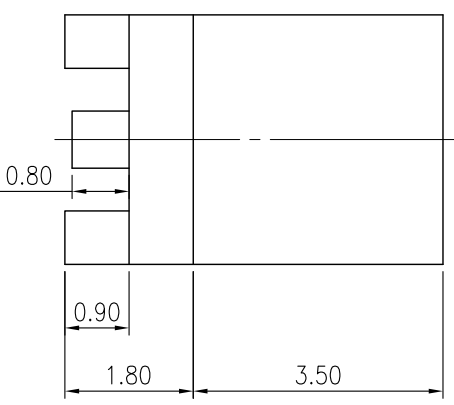
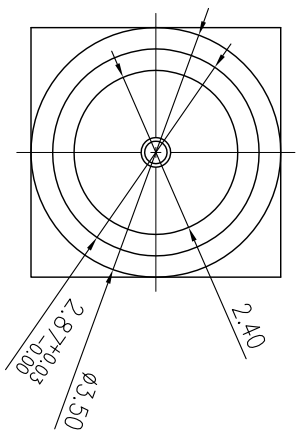


VI.1 NOTE: THIS DEVICE IS ROHS COMPLIANT.



PCB LAYOUT

		REVISIONS						
SYM	DESCRIPTION	DATE	APPROVED	SYM	DESCRIPTION	DATE	APPROVED	
Δ	ADD ORDER INFORMATION	21/JUN/07	KEN	Δ				
Δ	**CUSTOMER DRAWING FOR REFERENCE ONLY, SAMPLES APPROVAL ARE REQUIRED!!						066	

ELECTRICAL
 IMPEDANCE: 50 OHMS
 FREQUENCY RANGE: 0 TO 6 GHz
 WORKING VOLTAGE: 170 VRMS MAX
 INSULATION RESISTANCE: 500 MEGOHMS MIN
 DIELECTRIC WITHSTANDING VOLTAGE: 500 VOLTS RMS MIN
 VSMR: 1.2 MAX

MECHANICAL
 ENGAGEMENT FORCE: 3.4 lbs max.
 DISENGAGEMENT FORCE: 1.4 ~ 3.4 lbs
 CONNECTOR DURABILITY: 500 MATTINGS

ORDER INFORMATION:
 MMCX003-PtFF5GfG
 MMCX: MMCX CONNECTOR
 003: SERIES NO.
 Pt: PCB TYPE, SURFACE MOUNT
 FF: FEMALE HEAD, FEMALE PIN
 5: IMPEDANCE, 50 OHM
 Gf: CONTACT PLATING, GOLD FLASH
 G: BODY PLATING, GOLD PLATING

NO.	DESCRIPTION	MATERIAL	Q'TY	FINISH
1	BODY	BRASS	1	GOLD
2	INSULATOR	TEFLON	1	
3	CENTER PIN	BERYLLIUM COPPER	1	GOLD

TOLERANCES UNLESS OTHERWISE SPECIFIED		SIGNATURES		DATE		MODEL	
±0.25		DRAWN	AARON	27/APR/07	TITLE	MMCX CONNECTOR	
		CHECKED	WENDY	27/APR/07	NO.	MMCX003-PtFF5GfG	
SYMBOL	UNIT	SCALE	APPROVALS				
Δ	mm	10/1					

MMT CORPORATION

TEL:(510)979-2188

www.mmtmachrone.com

FAX:(510)979-2189