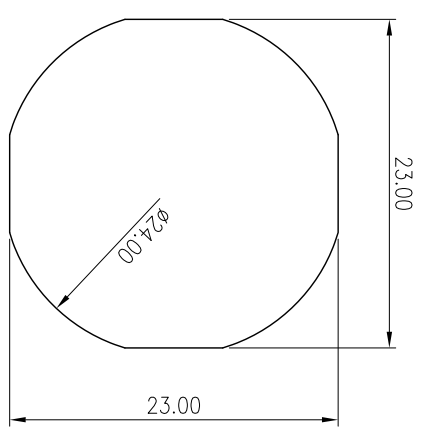
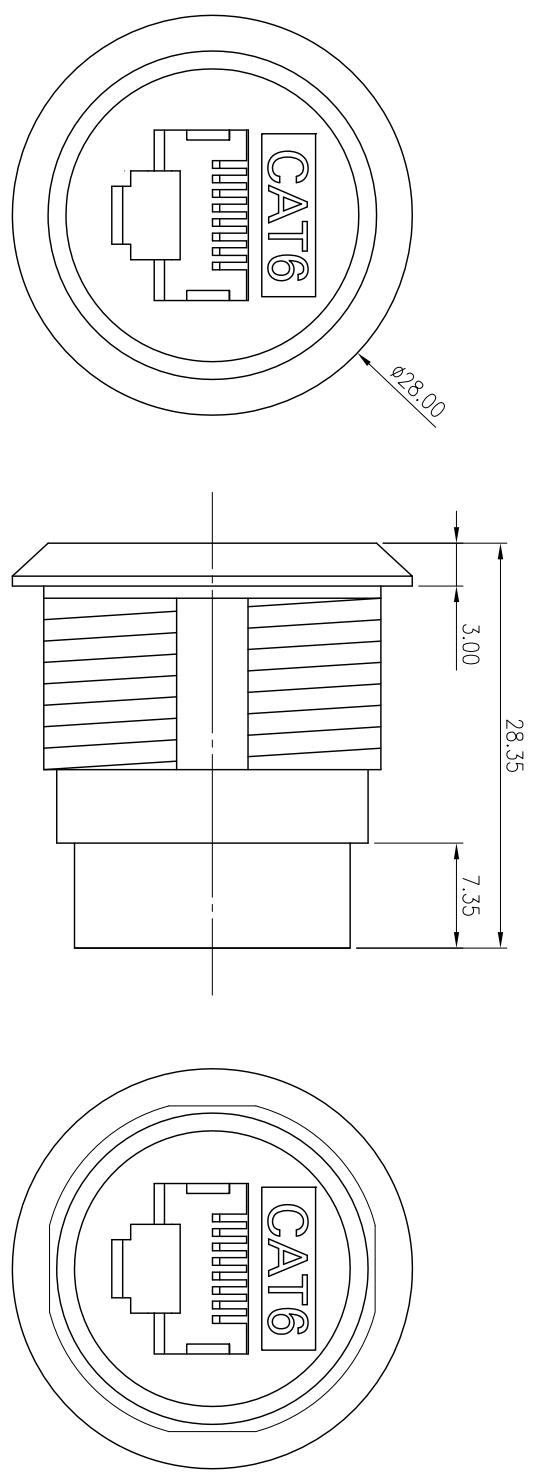


VI.1 NOTE: THIS DEVICE IS ROHS COMPLIANT.

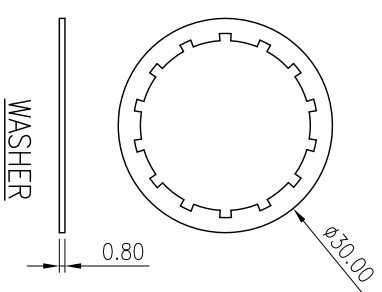
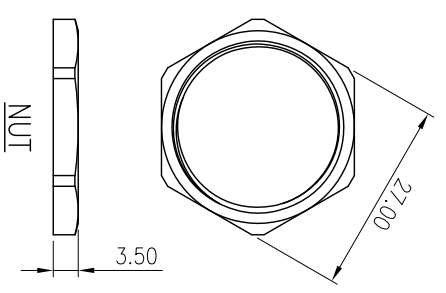
		REVISIONS			
SYM	DESCRIPTION	DATE	APPROVED	SYM	DATE
Δ				Δ	
Δ				Δ	

****CUSTOMER DRAWING FOR REFERENCE ONLY, SAMPLES APPROVAL ARE REQUIRED!!**

553



RECOMMEND PANEL CUT-OUT



MATERIAL
 HOUSING: PA6, COLOR: BLACK
 CONTACT: PHOSPHOR BRONZE, 6U" GOLD PLATED
 SHELL: ZINC ALLOY, BLACK
 NUT: BRASS

FINISH
 CONTACT: GOLD FLASH MICRO INCHES MIN.
 UNDER PLATE: NICKEL
 NUT: NICKEL PLATED
 SHELL: NICKEL PLATED

TOLERANCES UNLESS OTHERWISE SPECIFIED		SIGNATURES		DATE		MODEL	
±0.50	DRAWN	AARON	27/APR/23	TITLE	RJ45 PANEL MOUNT ADAPTER PLUG		
CHECKED	APPROVALS			NO.	RJA6-01-B		

MMT CORPORATION

TEL: (510) 979-2188

www.mmtmachrone.com

FAX: (510) 979-2189