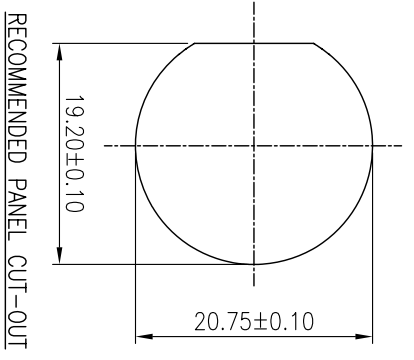
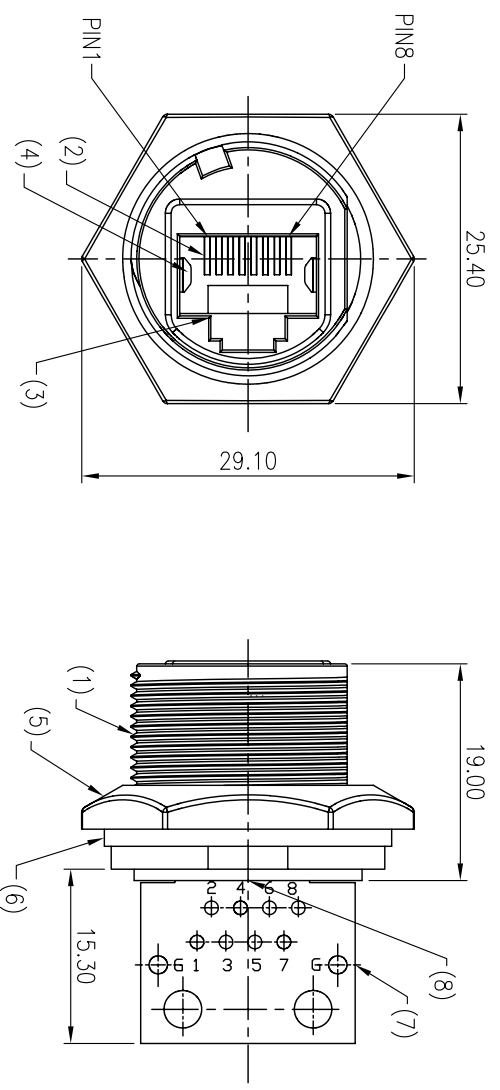


| REVISIONS | | 1 | 2 | 3 | 4 | 5 | 6 | 7 | 8 |
|-----------|-------------|------|----------|-----|-------------|------|----------|-----|-------------|
| SYM | DESCRIPTION | DATE | APPROVED | SYM | DESCRIPTION | DATE | APPROVED | SYM | DESCRIPTION |
| Δ | | | | Δ | | | | Δ | |
| Δ | | | | Δ | | | | Δ | |

****CUSTOMER DRAWING FOR REFERENCE ONLY, SAMPLES APPROVAL ARE REQUIRED!!**

342



| ITEM | PART NAME | MATERIAL/FINISH | Q'TY |
|------|--------------------|---|------|
| 1 | HOUSING | THERMAL PLASTIC COLOR: BLACK | 1 |
| 2 | RJ45 RECEPTACLE | HOUSING: THERMAL PLASTIC, COLOR: GRAY COLOR: BLACK | 1 |
| 3 | HOLDER | THERMAL PLASTIC COLOR: BLACK | 8 |
| 4 | EMI SHIELDED PLATE | THERMAL PLASTIC COLOR: BLACK | 2 |
| 5 | HEX NUT | THERMAL PLASTIC COLOR: BLACK | 1 |
| 6 | GASKET | SILICONE COLOR: BLACK | 1 |
| 7 | PCB | FE-4 | 1 |
| 8 | GLUE | EPOXY COLOR: BLACK | 1 |

- NOTE:
1. WATERPROOF RATE: IP67
 2. PANEL THICKNESS: 0.8 TO 4.0 mm
 3. HEX NUT TORQUE: 2.5~3kg-cm TIGHTENING TORQUE

| TOLERANCES UNLESS OTHERWISE SPECIFIED | | SIGNATURES | | DATE | | TITLE | | MODEL | |
|---------------------------------------|------|------------|---------|-----------|----------|------------|---------------------------|------------|----------|
| SYMBOL | UNIT | SCALE | CHECKED | APPROVALS | APPROVED | DATE | NO. | DATE | APPROVED |
| Δ | mm | 2/1 | PEGGY | | AARON | 04/NOV/10' | RJ45 WATERPROOF CONNECTOR | 04/NOV/10' | RWP-05 |

MMT CORPORATION