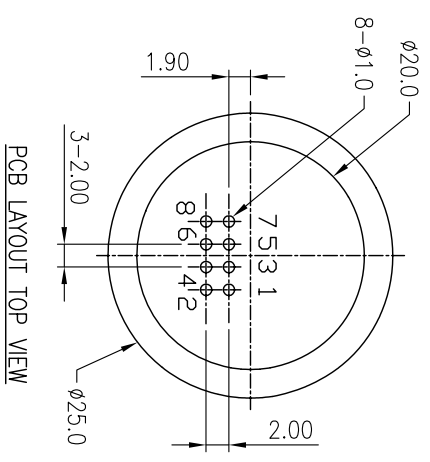
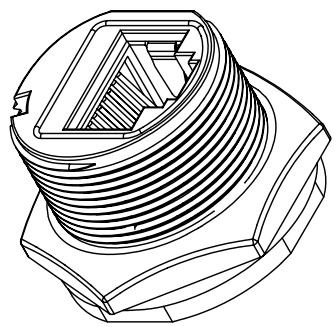
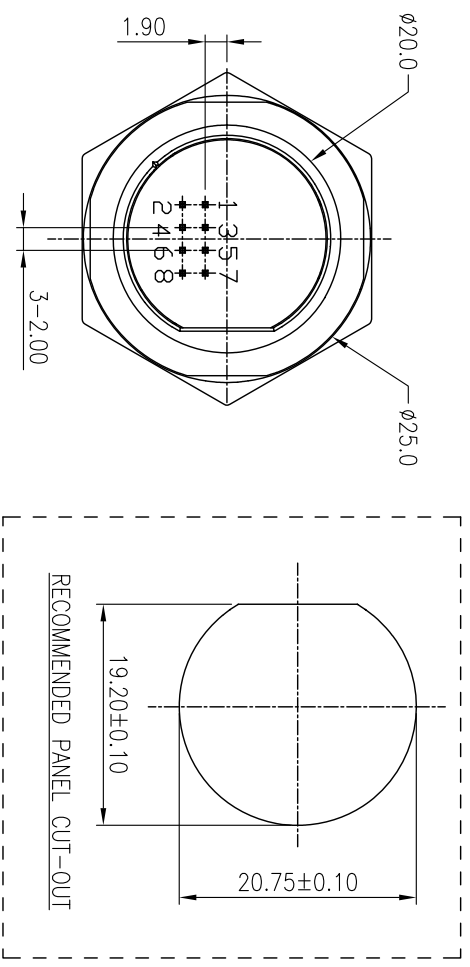
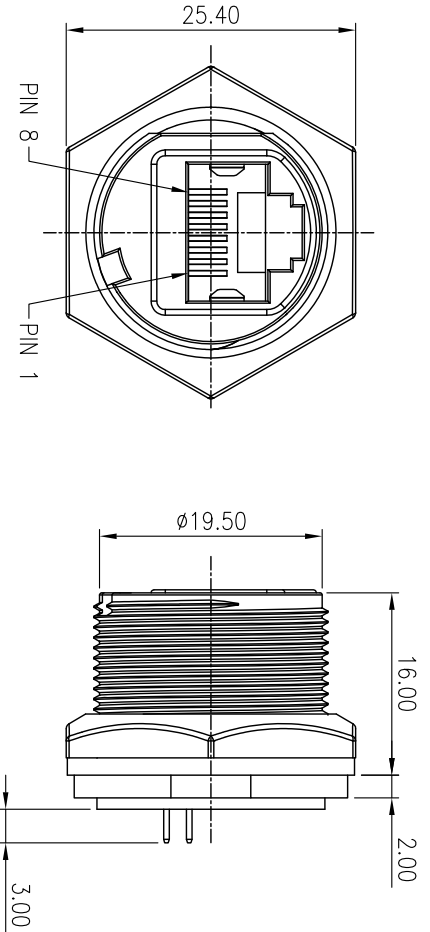


VI.1 NOTE: THIS DEVICE IS ROHS COMPLIANT.

REVISIONS		DATE		APPROVED		DESCRIPTION		DATE		APPROVED	
SYM	DESCRIPTION	DATE	APPROVED	SYM	DESCRIPTION	DATE	APPROVED	DATE	APPROVED	DATE	APPROVED
Δ				Δ							
Δ				Δ							
**CUSTOMER DRAWING FOR REFERENCE ONLY, SAMPLES APPROVAL ARE REQUIRED!!											
342											



- NOTE:
1. WATERPROOF RATE: IP67
 2. PANEL THICKNESS: 0.8 TO 4.0 mm
 3. HEX NUT TORQUE: 2.5~3kg-cm TIGHTENING TORQUE

RJ45 SHIELDED		
PIN	NAME	FUNCTION
1	TX D1+	TRANSCIVE DATA+
2	TX D1-	TRANSCIVE DATA-
3	RX D2+	RECEIVE DATA+
4	BI D3+	BI DIRECTIONAL DATA+
5	BI D3-	BI DIRECTIONAL DATA-
6	RX D2-	RECEIVE DATA-
7	BI D4+	BI DIRECTIONAL DATA+
8	BI D4-	BI DIRECTIONAL DATA-

TOLERANCES UNLESS OTHERWISE SPECIFIED		SIGNATURES		DATE		MODEL	
SYMBOL	UNIT	SCALE	CHECKED	APPROVALS	DRAWN	DATE	TITLE
±0.25	mm	2/1	PEGGY		AARON	04/NOV/10'	RJ45 WATERPROOF CONNECTOR
Δ	mm	2/1				04/NOV/10'	RWP-10