

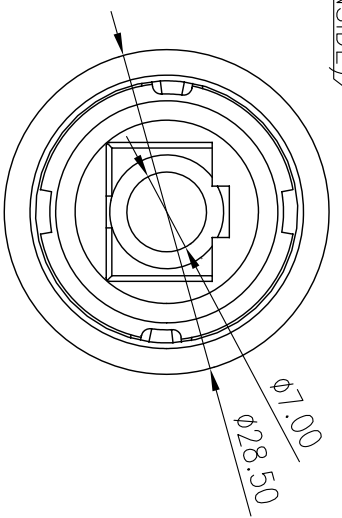
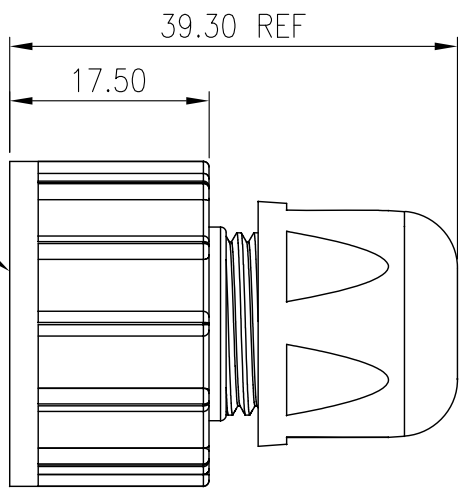
		REVISIONS					
SYM	DESCRIPTION	DATE	APPROVED	SYM	DESCRIPTION	DATE	APPROVED
Δ	REVISE DRAWING	24/007/17'	AARON	Δ			
Δ	REVISE DRAWING	18/NOV/19'	ABER	Δ			

**CUSTOMER DRAWING FOR REFERENCE ONLY, SAMPLES APPROVAL ARE REQUIRED!!

084

1. CABLE SIDE

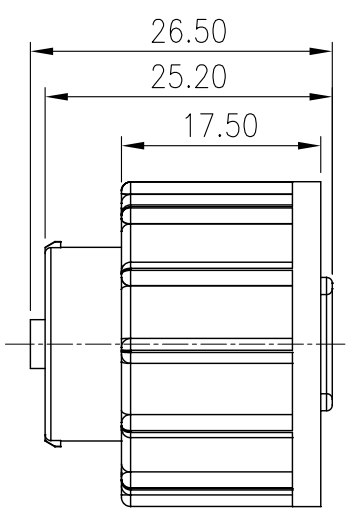
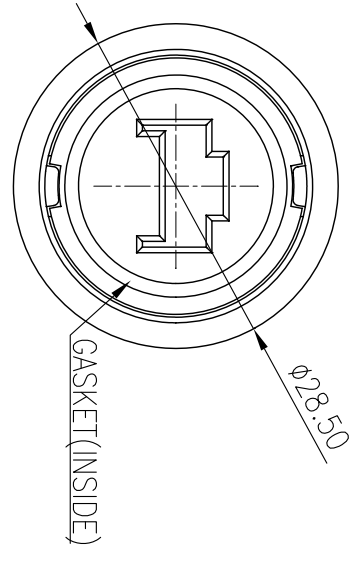
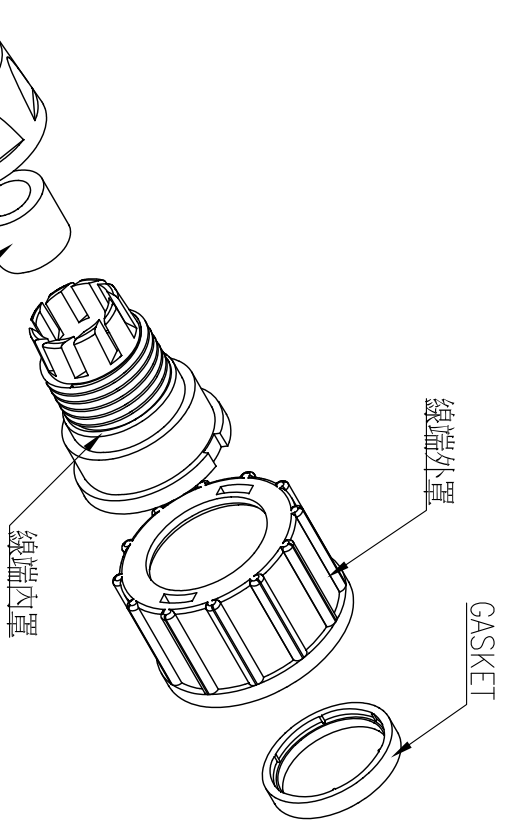
P/N: RWP-22-CA



NOTE:
 PLASTIC HOUSING: ENGINEERING THERMOPLASTIC
 FLAMMABILITY RATING UL 94V-0
 GASKET: SILICONE
 APPLICABLE ETHERNET CABLE DIAMETER RANGE: φ5.5~φ7.0

2. COVER

P/N: RWP-22-COVER



TOLERANCES UNLESS OTHERWISE SPECIFIED		SIGNATURES		DATE		MODEL	
±0.25		DRAWN	AARON	21/AUG/09'	TITLE	RJ45 WATERPROOF CONNECTOR ACCESSORY	
Δ	mm	CHECKED	PEGGY	21/AUG/09'	NO.	RWP-22----	
SCALE	2/1	APPROVALS					

MMT CORPORATION