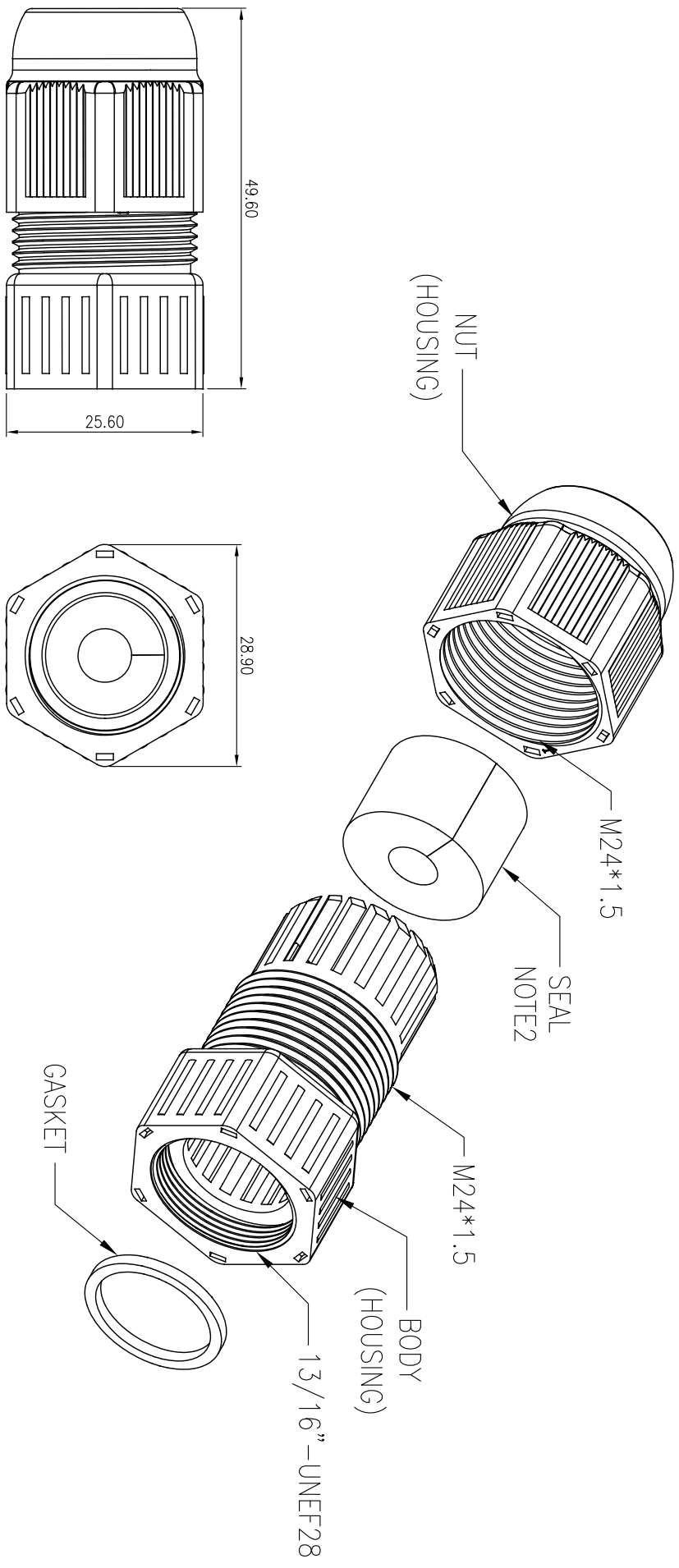


REVISIONS					
SYM	DESCRIPTION	DATE	APPROVED	SYM	DATE
Δ				Δ	
Δ				Δ	
**CUSTOMER DRAWING FOR REFERENCE ONLY, SAMPLES APPROVAL ARE REQUIRED!!					084



NOTES:

1. MATERIAL:
 - 1.1 HOUSING: ENGINEERING THERMOPLASTIC, UL94V-0, COLOR:BLACK.
 - 1.2 SEAL: SILICON, COLOR: RED
 - 1.3 GASKET: SILICON, COLOR:RED
2. APPLICABLE ETHERNET CABLE DIAMETER RANGE $\phi 7.00 \sim \phi 5.50$

TOLERANCES UNLESS OTHERWISE SPECIFIED		SIGNATURES		DATE		MODEL	
± 0.25		DRAWN	ABER	29/MAY/19'	TITLE	RJ45 WATERPROOF CONNECTOR	CABLE SIDE
		CHECKED	AARON	29/MAY/19'	NO.		
SYMBOL	UNIT	SCALE	APPROVALS				
Δ	mm	2/1					RWP-33-CA

MMT CORPORATION