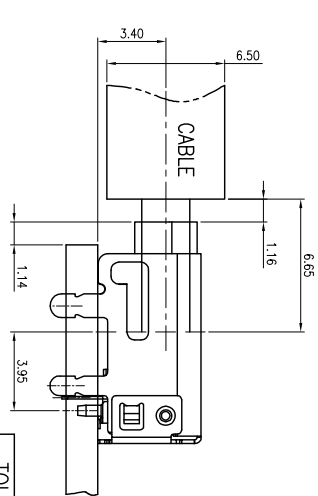
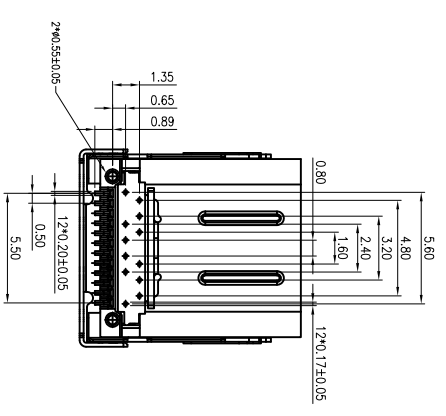
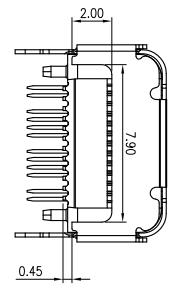
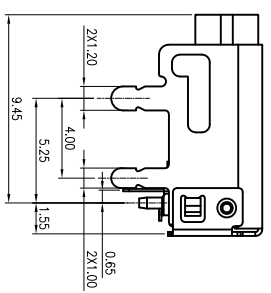
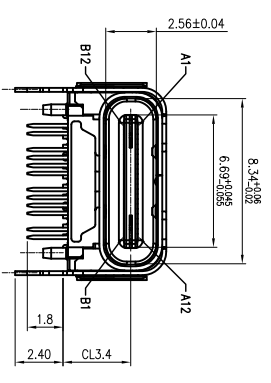


SYM		DESCRIPTION	DATE	APPROVED	SYM	DESCRIPTION	DATE	APPROVED
Δ	MODIFY SHIELD		08/APR/20'	ABER	Δ			
Δ	MODIFY LAYOUT DIMENSION		20/MAY/20'	AARON	Δ			

****CUSTOMER DRAWING FOR REFERENCE ONLY, SAMPLES APPROVAL ARE REQUIRED!!**

418

RECOMMEND P.C.B LAYOUT (COMPONENT SIDE)
PCB THICKNESS: 2.00±0.05 mm



1. MATERIAL:

MOLDING: LCP U94 V-0
CONTACT: COPPER ALLOY.

GOLD PLATED MIN ON CONTACT AREA, 100u"
MIN TIN (LEAD FREE) ON SOLDER AREA.

SHELL: SUS304-H-T=0.30±0.03mm
50u" NICKEL PLATING OVER ALL.

SHLD: SUS304-H-T=0.12±0.03mm

2. MECHANICAL:
INSERTION: 5~20N.
EXTRACTION: 8~20N AFTER TEST.
DURABILITY: 10000 CYCLES

3. ELECTRICAL:
CURRENT: 5A FOR VBUS;
0.25A FOR GND PIN.

VOLTAGE: 20V MAX
WITHSTANDING VOLTAGE: 100V AC R.M.S.

CONTACT RESISTANCE: 40mΩ MAX.
INSULATION RESISTANCE: 100MΩ MIN.

4. ENVIRONMENTAL
TEMPERATURE RANGE -25°C ~ +85°C

ORDER INFORMATION:
USB520A-PR124NGHT
USB: USB CONNECTOR
520A: USB TYPE C SERIES NO.
PRT: PCB TYPE RIGHT ANGLE DIP & SMT
24: NO. OF CONTACT
N: SHELL PLATING, NICKEL PLATING
Gt: GOLD FLASH ON CONTACT, TIN PLATING ON SOLDER TAIL

PIN NO.	SIGNAL NAME	PIN NO.	SIGNAL NAME
A1	GND	B12	GND
A2	SSTXn1	B11	SSRXn1
A3	SSTXn1	B10	SSRXn1
A4	VBUS	B9	VBUS
A5	CC1	B8	SBUS2
A6	Dp1	B7	Dn2
A7	Dn1	B6	Dp2
A8	SBUS1	B5	CC2
A9	VBUS	B4	VBUS
A10	SSRXn2	B3	SSTXn2
A11	SSRXn2	B2	SSTXn2
A12	GND	B1	GND

TOLERANCES UNLESS OTHERWISE SPECIFIED		SIGNATURES		DATE	MODEL
±0.15		DRAWN	AARON	27/FEB/20'	USB 3.1 JACK C TYPE
SYMBOL	UNIT	CHECKED	ABER	27/FEB/20'	
Δ	mm	APPROVALS			NO. USB520A-PR124NGht

MMT CORPORATION