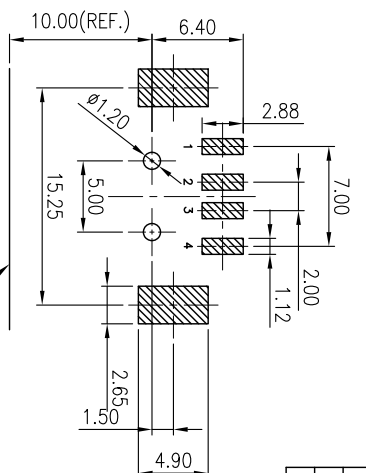
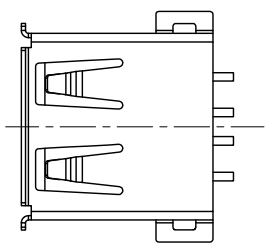
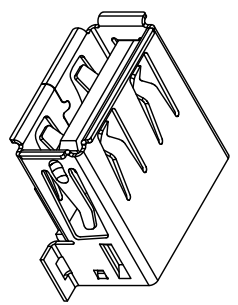
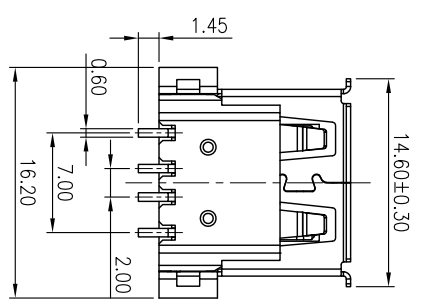
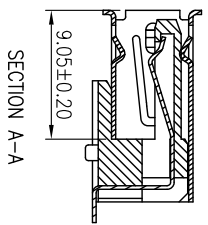
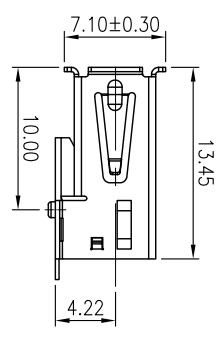
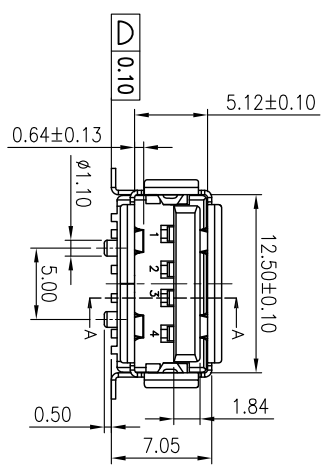


8 7 6 5 4 3 2 1
 VI.2 NOTE: THIS DEVICE IS ROHS COMPLIANT.



RECOMMENDED P.C.B. LAYOUT (COMPONENT SIDE)
 PCB EDGE



		REVISIONS					
SYM	DESCRIPTION	DATE	APPROVED	SYM	DESCRIPTION	DATE	APPROVED
Δ	REVISE DRAWING	09/JAN/13	AARON	Δ			
Δ				Δ			

****CUSTOMER DRAWING FOR REFERENCE ONLY, SAMPLES APPROVAL ARE REQUIRED!!**

075

SPECIFICATION
ELECTRICAL:
 CONTACT RESISTANCE: 30MΩ MAX.
 DIELECTRIC WITHSTANDING VOLTAGE: 500V AC MAX.
 INSULATION RESISTANCE: 1000MΩ MIN.
 CURRENT RATING: 1.5A

MECHANICAL:
 INSERTION FORCE: 3.5kg MAX.
 EXTRACTION FORCE: 1.0kg MIN.

MATERIAL:
 HOUSING: THERMOPLASTIC, GLASS FIBER FILLED UL94V-0 RATED,
 NYLON-9T, COLOR BLACK OR NATURAL
 TERMINAL: COPPER ALLOY, t=0.25mm
 SHELL: SPCC, t=0.30mm

PLATING:
 TERMINAL: GOLD PLATED ON CONTACT AREA, TIN PLATED ON SOLDER AREA
 SHELL: NICKEL 80u" MIN.

ORDER INFORMATION:
 USBX08-Rt04NGX
 USB: USB CONNECTOR
 X08: SERIES NO.,
 008: HOUSING COLOR, WHITE
 108: HOUSING COLOR, BLACK
 Rt: PCB TYPE, SURFACE MOUNT
 04: NO. OF CONTACTS
 N: SHELL PLATING, NICKEL PLATED
 GX: CONTACT PLATING OPTION
 Gft: GOLD FLASH ON CONTACT, TIN PLATED ON SOLDER TAIL
 G15t: 15u" GOLD ON CONTACT, TIN PLATED ON SOLDER TAIL
 G30t: 30u" GOLD ON CONTACT, TIN PLATED ON SOLDER TAIL

TOLERANCES UNLESS OTHERWISE SPECIFIED		SIGNATURES		DATE		MODEL	
SYMBOL	UNIT	SCALE	CHECKED	WENDY	03/OCT/08	TITLE	NO.
Δ	mm	2/1	APPROVALS			USB JACK SMD TYPE	USB_08-Rt04NG_

MMT CORPORATION