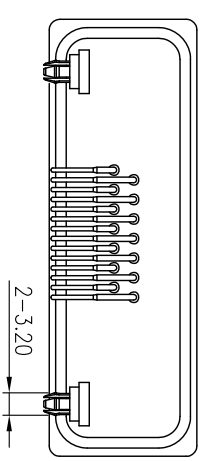
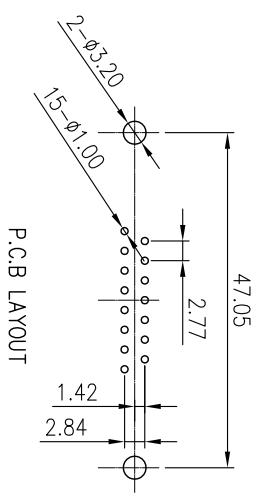
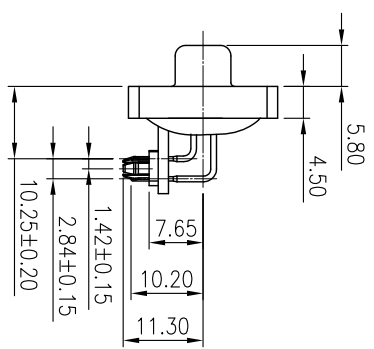
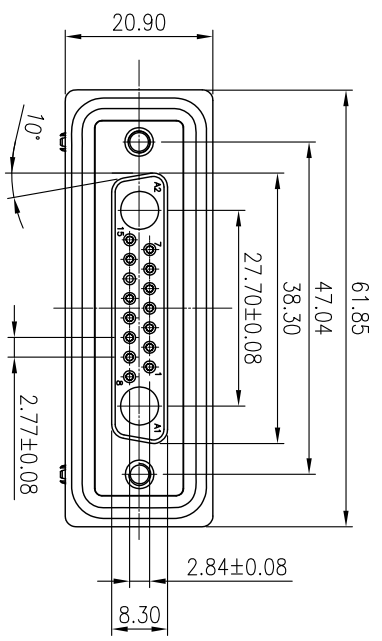
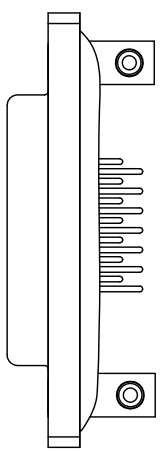


8 7 6 5 4 3 2 1  
 VI.1 NOTE: THIS DEVICE IS ROHS COMPLIANT.

REVISIONS				
SYM	DESCRIPTION	DATE	APPROVED	SYM
Δ				Δ
Δ				Δ
<b>**CUSTOMER DRAWING FOR REFERENCE ONLY, SAMPLES APPROVAL ARE REQUIRED!!</b>				
				351



**MATERIALS**  
 CONTACTS: BRASS  
 INSULATOR: PBT, UL94V-0 RATED  
 SHELL: COLD ROLLER STEEL.  
 METAL: WATERTIGHT FRAME: Zn3#  
 O-RING: SILICONE  
 EPOXY SEALANT: EPOXY  
 WATERPROOF RATE: IP68

**ELECTRICAL CHARACTERISTICS**  
 CONTACT CURRENT RATING: 3 AMPS  
 DIELECTRIC WITHSTANDING VOLTAGE: AC 1000V r.m.s  
 INSULATION RESISTANCE: 500MΩ MIN AT DC 500V  
 CONTACT RESISTANCE: 25mΩ MAX.  
 OPERATING TEMPERATURE: -55°C~+105°C

**ORDER INFORMATION:**  
 WCDB101-PdF17W2GX  
 101: SERIES NO.  
 Pd: TERMINAL TYPE, PCB TYPE, RIGHT ANGLE  
 F: FEMALE  
 17W2: CONTACT ARRANGEMENT, 17 PINS 2 COAXIAL  
 GX: PLATING OPTION  
 Gf: GOLD FLASH  
 G15: 15μ" GOLD PLATED  
 G30: 30μ" GOLD PLATED

TOLERANCES UNLESS OTHERWISE SPECIFIED	SIGNATURES	DATE	MODEL
±0.25	AARON	02/MAR/11'	WATERPROOF COMBO D-SUB
SYMBOL	CHECKED	APPROVALS	NO.
UNIT	PEGGY		WCDB101-PdF17W2G_
SCALE			
1/1			

**MMT CORPORATION**

TEL:(510)979-2188 www.mmtmachine.com FAX:(510)979-2189