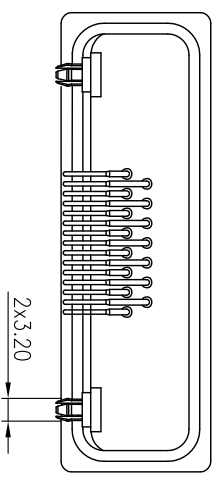
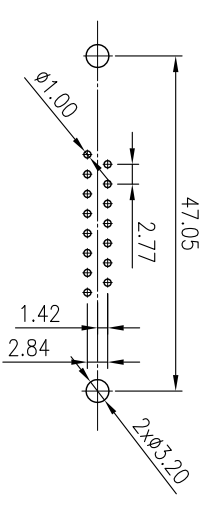
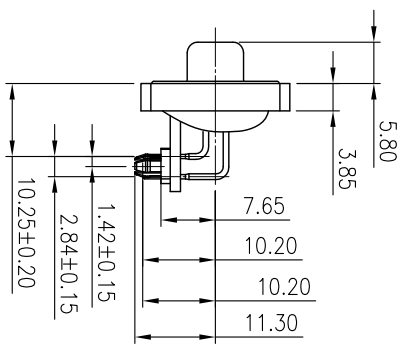
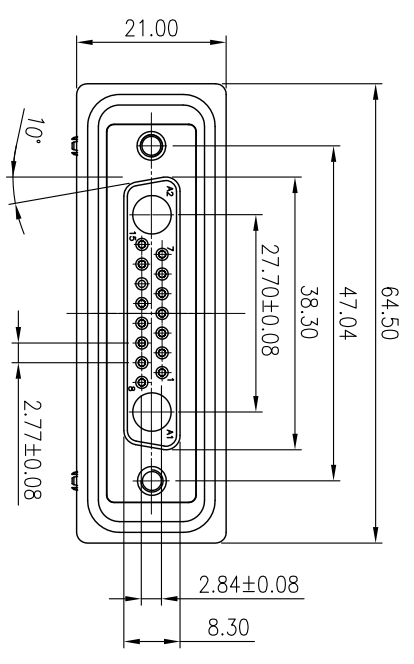
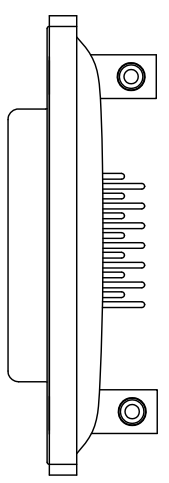


8 7 6 5 4 3 2 1
 VI.1 NOTE: THIS DEVICE IS ROHS COMPLIANT.

REVISIONS				
SYM	DESCRIPTION	DATE	APPROVED	SYM
Δ				Δ
Δ				Δ
**CUSTOMER DRAWING FOR REFERENCE ONLY, SAMPLES APPROVAL ARE REQUIRED!!				
				351



MATERIALS
 CONTACTS: BRASS
 INSULATOR: PBT, UL94V-0 RATED
 SHELL: COLD ROLLER STEEL.
 METAL WATERTIGHT FRAME: PBT+30%GF BLACK
 O-RING: SILICONE
 EPOXY SEALANT: EPOXY
 WATERPROOF RATE: IP68

ELECTRICAL CHARACTERISTICS
 CONTACT CURRENT RATING: 3 AMPS
 DIELECTRIC WITHSTANDING VOLTAGE: AC 1000V r.m.s
 INSULATION RESISTANCE: 500MΩ MIN AT DC 500V
 CONTACT RESISTANCE: 25mΩ MAX.
 OPERATING TEMPERATURE: -55°C~+105°C

ORDER INFORMATION:
 WCDB102-PdF17W2GX
 102: SERIES NO.
 Pd: TERMINAL TYPE, PCB TYPE, RIGHT ANGLE
 F: FEMALE
 17W2: CONTACT ARRANGEMENT, 17 PINS 2 COAXIAL
 GX: PLATING OPTION
 Gf: GOLD FLASH
 G15: 15u" GOLD PLATED
 G30: 30u" GOLD PLATED

TOLERANCES UNLESS OTHERWISE SPECIFIED		SIGNATURES		DATE		MODEL	
±0.25		DRAWN	AARON	23/MAR/11'		TITLE	
		CHECKED	UNA	23/MAR/11'		WATERPROOF COMBO D-SUB	
SYMBOL	UNIT	SCALE	APPROVALS			NO.	
Δ	mm	1/1				WCDB102-PdF17W2G_	

MMT CORPORATION