

8 7 6 5 4 3 2 1
 VI.1 NOTE: THIS DEVICE IS ROHS COMPLIANT.

REVISIONS				
SYM	DESCRIPTION	DATE	APPROVED	SYM
Δ				Δ
Δ				Δ

SYM	DESCRIPTION	DATE	APPROVED
Δ			

****CUSTOMER DRAWING FOR REFERENCE ONLY, SAMPLES APPROVAL ARE REQUIRED!!**

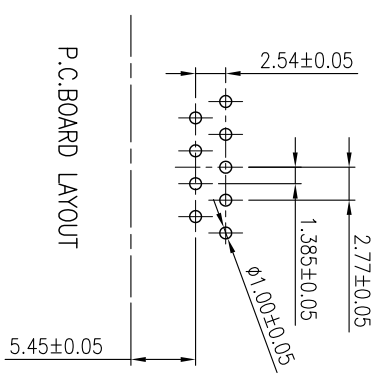
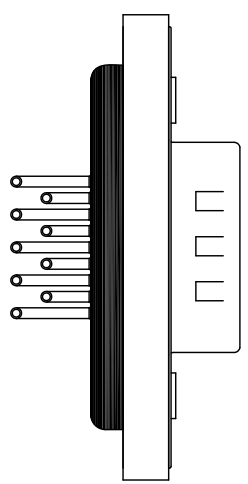
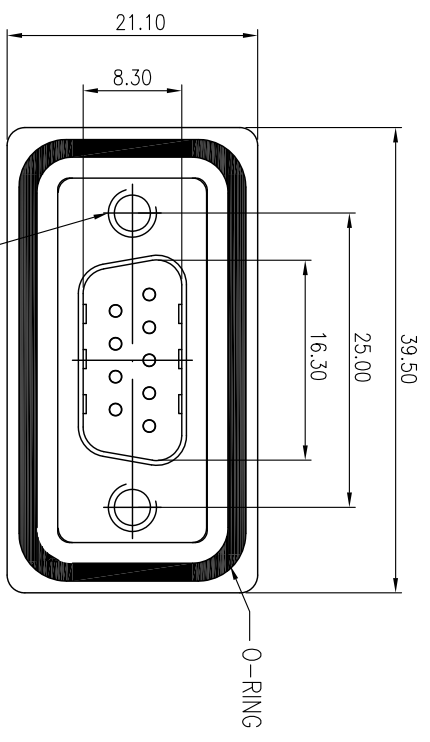
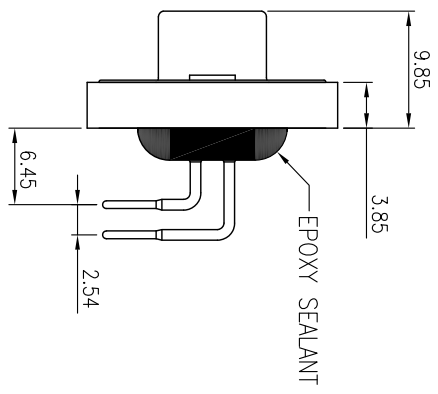
				351
--	--	--	--	-----

MATERIALS AND FINISH
 SHELL: STEEL MATERIAL TIN FINISHED
 INSULATOR: PBT GF.U/L 94V-0, BLACK COLOR
 SIGNAL CONTACT: COPPER ALLOY COLD FLASH
 METAL WATERTIGHT FRAME: PBT GF.U/L 94V-0, BLACK COLOR
 O-RING: SILICONE
 EPOXY SEALANT: EPOXY

ELECTRICAL CHARACTERISTICS
 SIGNAL CONTACT CURRENT RATING: 5.0 AMPS
 SIGNAL CONTACT TESTING RESISTANCE: 10MΩ MAX
 DIELECTRIC WITHSTANDING VOLTAGE: 1000V FOR 1 MINUTE
 INSULATION RESISTANCE: 5GΩ MIN
 TEMPERATURE RATING: -55°C~+105°C
 DEGREE OF PROTECTION: IP67 ACCORDING TO IEC60529

ORDER INFORMATION:

WDB950-PdM09GX-XX
 WDB: WATERPROOF D-SUB CONNECTOR
 950: SERIES NO.
 Pa: PCB TYPE, RIGHT ANGLE
 M: MALE
 09: NO. OF CONTACTS
 GX: CONTACT PLATING OPTION
 Gf: GOLD FLASH ON CONTACT
 G10: 10u" GOLD ON CONTACT
 G15: 15u" GOLD ON CONTACT
 G30: 30u" GOLD ON CONTACT
 X: FLANGE MOUNTING OPTION
 O: #4-40 THREAD HOLE
 1: #4-40 THREAD HOLE WITH #4-40UNC SCREWLOCK
 X: INSULATOR COLOR OPTION
 K: BLACK
 B: BLUE
 W: WHITE



TOLERANCES UNLESS OTHERWISE SPECIFIED

±0.25	mm	2/1	SIGNATURES		DATE	MODEL
Δ			DRAWN	AARON	09/NOV/10'	TITLE
			CHECKED	PEGGY	09/NOV/10'	D-SUB WATERPROOF CONN.
			APPROVALS			NO. WDB950-PdM09GX-XX

MMT CORPORATION