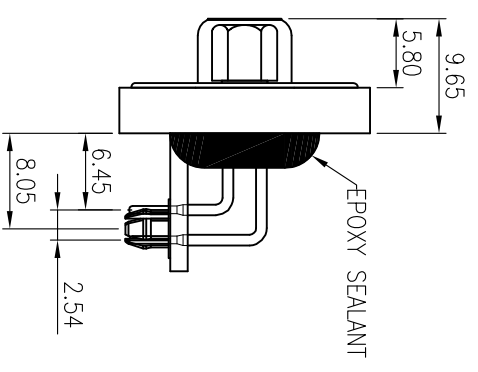
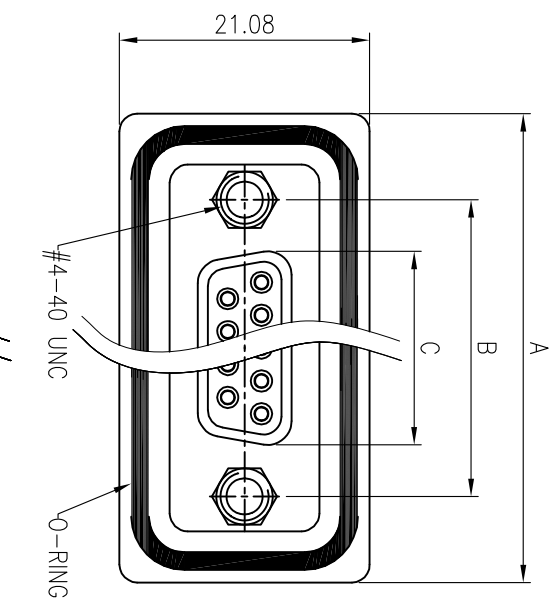


REVISIONS				
SYM	DESCRIPTION	DATE	APPROVED	SYM
Δ				Δ
Δ				Δ

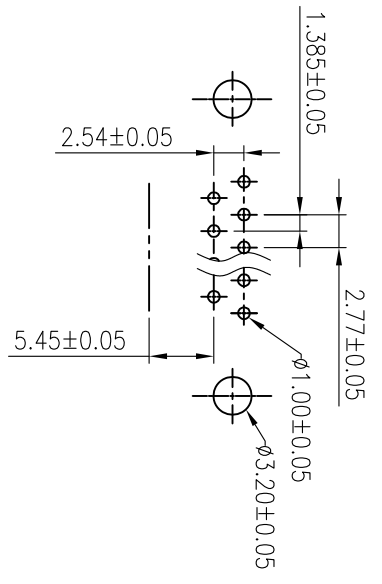
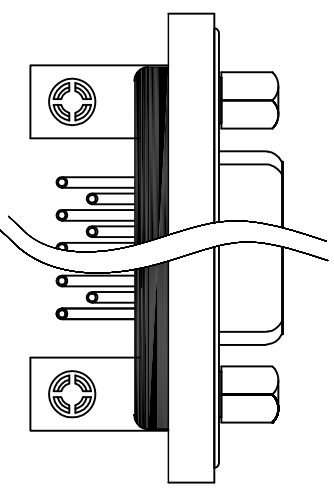
SYM	DESCRIPTION	DATE	APPROVED
Δ			

****CUSTOMER DRAWING FOR REFERENCE ONLY, SAMPLES APPROVAL ARE REQUIRED!!**

351



- NOTES:
1. MATERIAL:
 - 1.1 HOUSING: THERMOPLASTIC UL94V-0 BLACK;
 - 1.2 TERMINAL: BRASS;
 - 1.3 SHELL: COLD ROLLER STEEL;
 - 1.4 METAL WATERTIGHT FRAME: PBT 94V-0, BLACK COLOR;
 - 1.5 O-RING: SILICONE;
 - 1.6 EPOXY SEALANT: EPOXY;
 2. SPECIFICATION:
 - 2.1 CURRENT RATING: 3.0A MAX PER PIN;
 - 2.2 CONTACT RESISTANCE (LOW LEVEL): 10mOHM MAX. INITIAL;
 - 2.3 INSULATION RESISTANCE: 5000M OHM MIN. INITIAL;
 - 2.4 DIELECTRIC WITHSTANDING VOLTAGE: 1000VAC;
 - 2.5 OPERATING TEMPERATURE -25°C TO +85°C;
 - 2.6 DEGREE OF PROTECTION IP67 ACCORDING TO IDC60529



P.C. BOARD LAYOUT

ORDER INFORMATION:
 WDB962-PdFXXG-XK
 WDB: WATERPROOF D-SUB CONNECTOR
 962: SERIES NO.

Pa: RIGHT ANGLE TYPE
 F: FEMALE
 XX: NO. OF CONTACTS
 GX: CONTACT PLATING OPTION
 Gf: GOLD FLASH ON CONTACT
 G15: 15u" GOLD ON CONTACT
 G30: 30u" GOLD ON CONTACT
 X: FLANGE MOUNTING OPTION
 0: #4-40 THREAD HOLE
 1: #4-40 THREAD HOLE WITH #4-40UNC SCREWLOCK
 K: BLACK

PART NO	A	B	C
WDB962-PdF09G--K	39.50	25.00	16.30
WDB962-PdF15G--K	48.00	33.30	24.60
WDB962-PdF25G--K	61.50	47.05	38.40
WDB962-PdF37G--K	77.80	63.50	54.80

TOLERANCES UNLESS OTHERWISE SPECIFIED ±0.25		SIGNATURES		DATE	MODEL
DRAWN	ABER	28/MAR/19'			TITLE
CHECKED	ARRON	28/MAR/19'			D-SUB WATERPROOF CONN.
APPROVALS					NO.
					WDB962-PdF--G--K

MMT CORPORATION