

8 7 6 5 4 3 2 1  
 V1.1 NOTE: THIS DEVICE IS ROHS COMPLIANT.

REVISIONS				
SYM	DESCRIPTION	DATE	APPROVED	DATE
Δ				
Δ				
Δ				

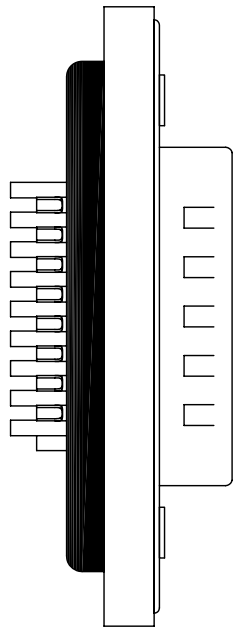
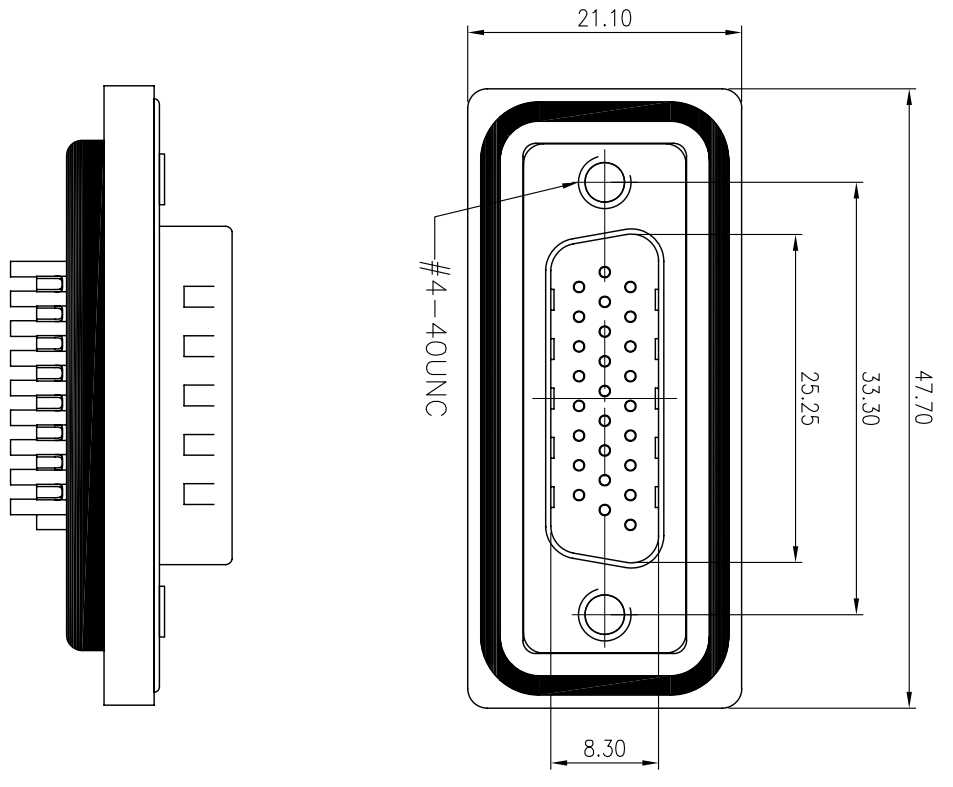
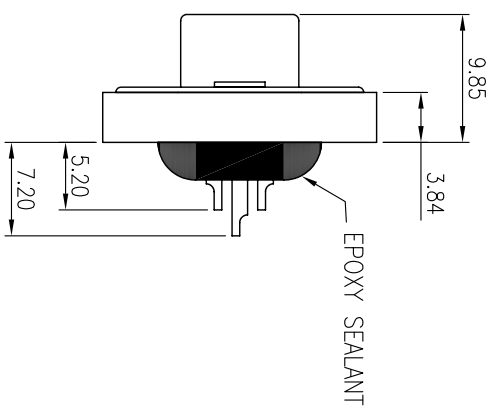
\*\*CUSTOMER DRAWING FOR REFERENCE ONLY, SAMPLES APPROVAL ARE REQUIRED!!

351
-----

MATERIALS AND FINISH  
 SHELL: STEEL MATERIAL TIN FINISHED  
 INSULATOR: PBT GF,UL 94V-0, BLACK COLOR  
 SIGNAL CONTACT: COPPER ALLOY, COLD FLASH  
 METAL WATERTIGHT FRAME: PBT GF,UL 94V-0, BLACK COLOR  
 O-RING: SILICONE  
 EPOXY SEALANT: EPOXY

ELECTRICAL CHARACTERISTICS  
 SIGNAL CONTACT CURRENT RATING: 5.0 AMPS  
 SIGNAL CONTACT TESTSTANCE: 10MΩ MAX  
 DIELECTRIC WITHSTANDING VOLTAGE: 1000V FOR 1 MINUTE  
 INSULATION RESISTANCE: 5GΩ MIN  
 TEMPERATURE RATING: -55°C~+105°C  
 DEGREE OF PROTECTION: IP67 ACCORDING TO IEC60529

ORDER INFORMATION:  
 WHDB950-ScM26GX-XX  
 WHDB: WATERPROOF HIGH DENSITY D-SUB CONNECTOR  
 950: SERIES NO.  
 Sc: SOLDER TYPE  
 M: MALE  
 26: NO. OF CONTACTS  
 GX: CONTACT PLATING OPTION  
 Gf: GOLD FLASH ON CONTACT  
 G10: 10u" GOLD ON CONTACT  
 G15: 15u" GOLD ON CONTACT  
 G30: 30u" GOLD ON CONTACT  
 X: FLANGE MOUNTING OPTION  
 O: #4-40 THREAD HOLE  
 1: #4-40 THREAD HOLE WITH #4-40UNC SCREWLOCK  
 X: INSULATOR COLOR OPTION  
 K: BLACK C: PANTONE 322c  
 B: BLUE D: PANTONE 661c  
 W: WHITE



TOLERANCES UNLESS OTHERWISE SPECIFIED		SIGNATURES		DATE		MODEL	
±0.25		DRAWN	AARON	09/NOV/10'	TITLE		HD D-SUB
		CHECKED	PEGGY	09/NOV/10'	WATERPROOF CONNECTOR		
		APPROVALS			NO.		WHDB950-ScM26G_--
SYMBOL	UNIT	SCALE					
Δ	mm	2/1					

MMT CORPORATION